



NETWORKERS 2004

CCNA PRACTICAL LAB REVIEW

SESSION CERT-1030

CERT-1030
9977_06_2004_X

© 2004 Cisco Systems, Inc. All rights reserved.

1

CCNA Practical Lab Review

Cisco.com

Event Information

- Introductions
- CCNA Exam Objectives
- CCNA Lab Review
- CCNA Practice Test Review

CERT-1030
9977_06_2004_X

© 2004 Cisco Systems, Inc. All rights reserved.

2

Introductions

Cisco.com

Paul Mancuso—Instructor

- **Certified Cisco Systems Instructor**
- **Cisco Product Line Manager for Intense School**
- **15+ Years Networking Experience**
- **Certified in several vendor products including
CCNP/MCSE/MCNI/CISSP/Security+/CCSA**

CERT-1030
9977_06_2004_X

© 2004 Cisco Systems, Inc. All rights reserved.

3

Introductions

Cisco.com

Tech 2000

- **Tech 2000, Inc.—A Cisco Learning Solution Partner**
- **Over 20 years industry experience**
- **Providing training solutions for the Service Provider and Enterprise Markets**
- **Extensive Custom Development and Delivery Expertise**
- **Bringing blending training and certification preparation through our partnerships with our Sponsored Organizations**
- **www.t2000inc.com — 1-800-433-1482**



CERT-1030
9977_06_2004_X

© 2004 Cisco Systems, Inc. All rights reserved.

4

Introductions

Cisco.com

Intense School

- *Sponsored Organization of Tech 2000, CLSP*
- **Over 7 Years in Technical Training for Information Technology**
- **Complete end-to-end care for your training needs including a live Mentor for most courses**
- **Locations - Ft. Lauderdale, FL, Columbus, OH, San Diego, CA, Las Vegas, NV, or the Washington D.C. Metro Area**
- **Live-on-Line Synchronous Training**
- **Financing Available**

CERT-1030
9977_06_2004_X

© 2004 Cisco Systems, Inc. All rights reserved.

5

Recommended Reading

Cisco.com

- **CCNA Certification Library**
 - CCNA Intro Exam Certification Guide**
 - CCNA ICND Exam Certification Guide**
- **Cisco Intro and ICND Course Curriculum**
 - Only offered through Cisco Learning Partners**

CERT-1030
9977_06_2004_X

© 2004 Cisco Systems, Inc. All rights reserved.

6

CCNA Exam Objectives Covered

Cisco.com

- **Implementation & Operation**

- Configure routing protocols**

- Configure IP addresses, subnet masks, and gateway addresses on routers**

- Configure a switch with VLANS and inter-switch communication**

- Implement a LAN**

- Perform an initial configuration on a router**

- Perform an initial configuration on a switch Implement access lists**

- Implement simple WAN protocols**

- Implement routing protocols**

CERT-1030
9977_06_2004_X

© 2004 Cisco Systems, Inc. All rights reserved.

7

BEGIN CCNA LAB REVIEW



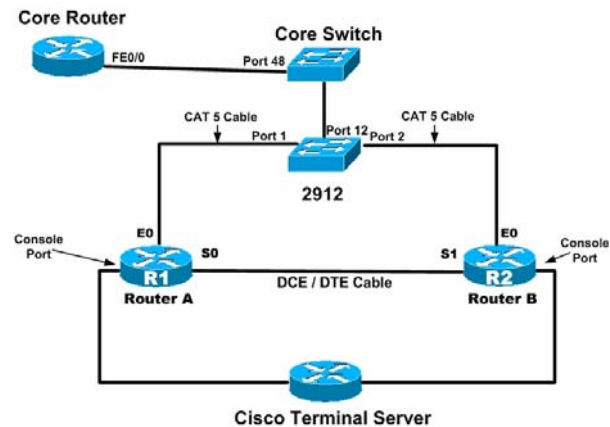
CERT-1030
9977_06_2004_X

© 2004 Cisco Systems, Inc. All rights reserved.

8

CCNA Lab Matrix

Cisco.com



CERT-1030
9977_06_2004_X

© 2004 Cisco Systems, Inc. All rights reserved.

9

Configuring the Catalyst Switch

Cisco.com

- Build a functional access switch configuration to support the specified network operational parameters, given a network design
- Configure the switch management IP address and the default gateway, given a functioning access layer switch and an IP addressing scheme
- Configure Secured ports to restrict the use of a port to a user-defined group of stations, set with the port secure command
- Use Cisco IOS commands to configure VLANs, VTP, IEEE 802.1Q trunking

CERT-1030
9977_06_2004_X

© 2004 Cisco Systems, Inc. All rights reserved.

10

Configure the Catalyst Switch

Cisco.com

- **Follow along and begin Lab1: Configuring the Catalyst Switch**

CERT-1030
9977_06_2004_X

© 2004 Cisco Systems, Inc. All rights reserved.

11

Configuring the Cisco Routers

Cisco.com

- **Build a functional router configuration to support the specified network operational requirements, given a network design**
- **Build a functional router configuration to support the specified network operational requirements, given a network design**
- **Describe the operation of “router on a stick”**
- **Configure the operation of dynamic routing protocols, including RIP, IGRP, EIGRP, and OSPF**
- **Describe the features and operation of dynamic routing protocols, including RIP, IGRP, EIGRP, and OSPF**
- **Configure a PPP connection across a serial link**
- **Configure and Implement an Access List**

CERT-1030
9977_06_2004_X

© 2004 Cisco Systems, Inc. All rights reserved.

12

Configuring the Cisco Routers

Cisco.com

- **Begin Lab2: Basic Router Configuration**

CERT-1030
9977_06_2004_X

© 2004 Cisco Systems, Inc. All rights reserved.

13

Configuring the Cisco Routers

Cisco.com

- **Continue with Lab 3: Configuring the Routing Protocols**

CERT-1030
9977_06_2004_X

© 2004 Cisco Systems, Inc. All rights reserved.

14

Configuring the Cisco Routers

Cisco.com

- **Continue Lab 4: Configuring Static NAT (Time Permitting)**
- **Continue Lab 5: Configuring and Implementing Extended Access List (Time Permitting)**

CERT-1030
9977_06_2004_X

© 2004 Cisco Systems, Inc. All rights reserved.

15

CCNA Lab Review Exam

Cisco.com

- **Browse to**
www.intenseschool.com/ccna/ccnalabreview.html
- **15 Question review on today's lab**

CERT-1030
9977_06_2004_X

© 2004 Cisco Systems, Inc. All rights reserved.

16

Associated Sessions

Cisco.com

- **CCNA Case Study: ACD-1001**
- **Deploying and Troubleshooting NAT NMS-2102**
- **Introduction to Routing Protocols RST-2303**
- **Which Routing Protocol RST-2310**
- **Routing Protocol Deployment RST-2T30**
- **Troubleshooting and Optimizing the Operation of Cisco Routers**

CERT-1030
9977_06_2004_X

© 2004 Cisco Systems, Inc. All rights reserved.

17

Thank You for Your Attendance

Cisco.com

Paul Mancuso

Intense School / Cisco Product Line Manager

www.intenseschool.com

A Sponsored Organization of

Tech 2000, Inc.

Cisco Learning Solutions Partner

Booth #917

www.t2000inc.com

1-800-433-1482

CERT-1030
9977_06_2004_X

© 2004 Cisco Systems, Inc. All rights reserved.

18

CISCO SYSTEMS

