



***Send document comments to [nexus7k-docfeedback@cisco.com](mailto:nexus7k-docfeedback@cisco.com).***



## **Cisco Nexus 7000 Series NX-OS System Management Configuration Guide, Release 5.x**

December 2011

### **Americas Headquarters**

Cisco Systems, Inc.  
170 West Tasman Drive  
San Jose, CA 95134-1706  
USA  
<http://www.cisco.com>  
Tel: 408 526-4000  
800 553-NETS (6387)  
Fax: 408 527-0883

Text Part Number: OL-20635-03

THE SPECIFICATIONS AND INFORMATION REGARDING THE PRODUCTS IN THIS MANUAL ARE SUBJECT TO CHANGE WITHOUT NOTICE. ALL STATEMENTS, INFORMATION, AND RECOMMENDATIONS IN THIS MANUAL ARE BELIEVED TO BE ACCURATE BUT ARE PRESENTED WITHOUT WARRANTY OF ANY KIND, EXPRESS OR IMPLIED. USERS MUST TAKE FULL RESPONSIBILITY FOR THEIR APPLICATION OF ANY PRODUCTS.

THE SOFTWARE LICENSE AND LIMITED WARRANTY FOR THE ACCOMPANYING PRODUCT ARE SET FORTH IN THE INFORMATION PACKET THAT SHIPPED WITH THE PRODUCT AND ARE INCORPORATED HEREIN BY THIS REFERENCE. IF YOU ARE UNABLE TO LOCATE THE SOFTWARE LICENSE OR LIMITED WARRANTY, CONTACT YOUR CISCO REPRESENTATIVE FOR A COPY.

The Cisco implementation of TCP header compression is an adaptation of a program developed by the University of California, Berkeley (UCB) as part of UCB's public domain version of the UNIX operating system. All rights reserved. Copyright © 1981, Regents of the University of California.

NOTWITHSTANDING ANY OTHER WARRANTY HEREIN, ALL DOCUMENT FILES AND SOFTWARE OF THESE SUPPLIERS ARE PROVIDED "AS IS" WITH ALL FAULTS. CISCO AND THE ABOVE-NAMED SUPPLIERS DISCLAIM ALL WARRANTIES, EXPRESSED OR IMPLIED, INCLUDING, WITHOUT LIMITATION, THOSE OF MERCHANTABILITY, FITNESS FOR A PARTICULAR PURPOSE AND NONINFRINGEMENT OR ARISING FROM A COURSE OF DEALING, USAGE, OR TRADE PRACTICE.

IN NO EVENT SHALL CISCO OR ITS SUPPLIERS BE LIABLE FOR ANY INDIRECT, SPECIAL, CONSEQUENTIAL, OR INCIDENTAL DAMAGES, INCLUDING, WITHOUT LIMITATION, LOST PROFITS OR LOSS OR DAMAGE TO DATA ARISING OUT OF THE USE OR INABILITY TO USE THIS MANUAL, EVEN IF CISCO OR ITS SUPPLIERS HAVE BEEN ADVISED OF THE POSSIBILITY OF SUCH DAMAGES.

Cisco and the Cisco Logo are trademarks of Cisco Systems, Inc. and/or its affiliates in the U.S. and other countries. A listing of Cisco's trademarks can be found at [www.cisco.com/go/trademarks](http://www.cisco.com/go/trademarks). Third party trademarks mentioned are the property of their respective owners. The use of the word partner does not imply a partnership relationship between Cisco and any other company. (1005R)

Any Internet Protocol (IP) addresses used in this document are not intended to be actual addresses. Any examples, command display output, and figures included in the document are shown for illustrative purposes only. Any use of actual IP addresses in illustrative content is unintentional and coincidental.

*Cisco Nexus 7000 Series NX-OS System Management Configuration Guide, Release 5.x*  
©2008–2011 Cisco Systems, Inc. All rights reserved.

*Send document comments to [nexus7k-docfeedback@cisco.com](mailto:nexus7k-docfeedback@cisco.com).*



## CONTENTS

### **New and Changed Information** xix

### **Preface** xxiii

Audience xxiii

Document Organization xxiii

Document Conventions xxv

Related Documentation xxv

Obtaining Documentation and Submitting a Service Request xxvii

---

## CHAPTER 1

### **Overview** 1-1

Cisco NX-OS Device Configuration Methods 1-2

    Configuring with CLI or XML Management Interface 1-3

    Configuring with Cisco DCNM or a Custom GUI 1-3

Cisco Fabric Services 1-3

Network Time Protocol 1-3

Precision Time Protocol 1-3

Cisco Discovery Protocol 1-4

System Messages 1-4

Call Home 1-4

Rollback 1-4

Session Manager 1-4

Scheduler 1-5

SNMP 1-5

RMON 1-5

Online Diagnostics 1-5

Embedded Event Manager 1-5

On-Board Failure Logging 1-5

SPAN 1-6

ERSPAN 1-6

LLDP 1-6

NetFlow 1-6

FabricPath 1-7

***Send document comments to [nexus7k-docfeedback@cisco.com](mailto:nexus7k-docfeedback@cisco.com).***

Troubleshooting Features 1-7

**CHAPTER 2**

**Configuring CFS 2-1**

Information About CFS 2-1

Applications that Use CFS to Distribute Configuration Changes 2-2

CFS Distribution 2-2

CFS Connectivity in a Mixed Fabric 2-3

CFS Merge Support 2-4

Locking the Network 2-4

CFS Regions 2-4

High Availability 2-5

Virtualization Support 2-5

Licensing Requirements for CFS 2-5

Prerequisites for CFS 2-5

Guidelines and Limitations 2-5

Default Settings 2-6

Configuring CFS Distribution 2-6

Enabling CFS Distribution for Applications 2-7

Specifying a CFS Distribution Mode 2-19

Configuring an IP Multicast Address for CFSolP 2-20

Configuring CFS Regions 2-22

Creating and Distributing a CFS Configuration 2-27

Clearing a Locked Session 2-29

Discarding a Configuration 2-30

Disabling CFS Distribution Globally 2-31

Verifying the CFS Configuration 2-32

Additional References 2-32

Related Documents 2-33

MIBs 2-33

Feature History for CFS 2-34

**CHAPTER 3**

**Configuring NTP 3-1**

Information About NTP 3-1

NTP Overview 3-1

NTP as Time Server 3-2

Distributing NTP Using CFS 3-2

Clock Manager 3-2

High Availability 3-3

***Send document comments to [nexus7k-docfeedback@cisco.com](mailto:nexus7k-docfeedback@cisco.com).***

Virtualization Support	3-3
Licensing Requirements for NTP	3-3
Prerequisites for NTP	3-3
Guidelines and Limitations	3-3
Default Settings	3-4
Configuring NTP	3-4
Enabling or Disabling NTP	3-5
Configuring the Device as an Authoritative NTP Server	3-6
Configuring an NTP Server and Peer	3-7
Configuring NTP Authentication	3-10
Configuring NTP Access Restrictions	3-11
Configuring the NTP Source IP Address	3-13
Configuring the NTP Source Interface	3-13
Configuring NTP Logging	3-13
Enabling CFS Distribution for NTP	3-14
Committing NTP Configuration Changes	3-15
Discarding NTP Configuration Changes	3-16
Releasing the CFS Session Lock	3-16
Verifying the NTP Configuration	3-16
Configuration Examples for NTP	3-17
Additional References	3-18
Related Documents	3-19
MIBs	3-19
Feature History for NTP	3-19

---

**CHAPTER 4**
**Configuring PTP 4-1**

Information About PTP	4-1
PTP Overview	4-2
PTP Device Types	4-2
PTP Process	4-3
Pong	4-3
Clock Manager	4-3
High Availability	4-3
Virtualization Support	4-4
Licensing Requirements for PTP	4-4
Prerequisites for PTP	4-4
Guidelines and Limitations	4-4
Default Settings	4-5

***Send document comments to [nexus7k-docfeedback@cisco.com](mailto:nexus7k-docfeedback@cisco.com).***

- Configuring PTP 4-5
  - Configuring PTP Globally 4-5
  - Configuring PTP on an Interface 4-7
- Verifying the PTP Configuration 4-9
- Configuration Examples for PTP 4-9
- Additional References 4-10
  - Related Documents 4-10
  - MIBs 4-11
- Feature History for PTP 4-11

**CHAPTER 5**

**Configuring CDP 5-1**

- Information About CDP 5-1
  - CDP Overview 5-1
  - VTP Feature Support 5-2
  - High Availability 5-3
  - Virtualization Support 5-3
- Licensing Requirements for CDP 5-3
- Prerequisites for CDP 5-3
- Guidelines and Limitations 5-3
- Default Settings 5-4
- Configuring CDP 5-4
  - Enabling or Disabling CDP Globally 5-4
  - Enabling or Disabling CDP on an Interface 5-5
  - Configuring Optional CDP Parameters 5-7
- Verifying the CDP Configuration 5-7
- Configuration Example for CDP 5-8
- Additional References 5-8
  - Related Documents 5-8
  - MIBs 5-8
- Feature History for CDP 5-9

**CHAPTER 6**

**Configuring System Message Logging 6-1**

- Information About System Message Logging 6-1
  - syslog Servers 6-2
  - Virtualization Support 6-2
- Licensing Requirements for System Message Logging 6-3
- Guidelines and Limitations 6-3

***Send document comments to [nexus7k-docfeedback@cisco.com](mailto:nexus7k-docfeedback@cisco.com).***

Default Settings	6-3
Configuring System Message Logging	6-3
Configuring System Message Logging to Terminal Sessions	6-4
Logging System Messages to a File	6-5
Configuring Module and Facility Messages Logged	6-7
Configuring syslog Servers	6-8
Displaying and Clearing Log Files	6-10
Verifying the System Message Logging Configuration	6-11
Configuration Example for System Message Logging	6-12
Additional References	6-12
Related Documents	6-12
Standards	6-13
Feature History for System Message Logging	6-13

## CHAPTER 7

<b>Configuring Smart Call Home</b>	<b>7-1</b>
Information About Smart Call Home	7-1
Smart Call Home Overview	7-2
Destination Profiles	7-2
Smart Call Home Alert Groups	7-3
Smart Call Home Message Urgency Levels	7-5
Obtaining Smart Call Home	7-6
Distributing Smart Call Home Using CFS	7-7
Database Merge Guidelines	7-7
High Availability	7-7
Virtualization Support	7-7
Licensing Requirements for Smart Call Home	7-8
Prerequisites for Smart Call Home	7-8
Guidelines and Limitations	7-8
Default Settings	7-9
Configuring Smart Call Home	7-9
Configuring Contact Information	7-10
Creating a Destination Profile	7-12
Modifying a Destination Profile	7-14
Associating an Alert Group and a Destination Profile	7-16
Adding show Commands to an Alert Group	7-17
Configuring E-Mail	7-19
Configuring VRFs To Send Messages Using HTTP	7-21
Configuring an HTTP Proxy Server	7-22

***Send document comments to [nexus7k-docfeedback@cisco.com](mailto:nexus7k-docfeedback@cisco.com).***

- Configuring Periodic Inventory Notifications 7-24
- Disabling Duplicate Message Throttle 7-25
- Enabling or Disabling Smart Call Home 7-25
- Testing Smart Call Home Communications 7-26
- Verifying the Smart Call Home Configuration 7-26
- Configuration Example for Smart Call Home 7-27
- Additional References 7-27
  - Event Triggers 7-27
  - Message Formats 7-29
  - Sample syslog Alert Notification in Full-Text Format 7-32
  - Sample syslog Alert Notification in XML Format 7-35
  - Related Documents 7-39
  - Standards 7-39
  - MIBs 7-39
- Feature History for Smart Call Home 7-39

**CHAPTER 8**

**Configuring Rollback 8-1**

- Information About Rollback 8-1
  - Rollback Overview 8-1
  - Automatically Generated System Checkpoints 8-2
  - High Availability 8-2
  - Virtualization Support 8-3
- Licensing Requirements 8-3
- Prerequisites for Rollback 8-3
- Guidelines and Limitations 8-3
- Default Settings 8-4
- Configuring Rollback 8-4
  - Creating a Checkpoint 8-4
  - Implementing a Rollback 8-5
- Verifying the Rollback Configuration 8-6
- Configuration Example for Rollback 8-7
- Additional References 8-7
  - Related Documents 8-7
  - Standards 8-7
- Feature History for Rollback 8-8

**CHAPTER 9**

**Configuring Session Manager 9-1**

- Information About Session Manager 9-1



***Send document comments to [nexus7k-docfeedback@cisco.com](mailto:nexus7k-docfeedback@cisco.com).***

Session Manager Overview	9-1
High Availability	9-2
Virtualization Support	9-2
Licensing Requirements for Session Manager	9-2
Prerequisites for Session Manager	9-2
Guidelines and Limitations	9-2
Configuring Session Manager	9-3
Creating a Session	9-3
Configuring ACLs in a Session	9-4
Verifying a Session	9-5
Committing a Session	9-5
Saving a Session	9-6
Discarding a Session	9-6
Verifying the Session Manager Configuration	9-6
Configuration Example for Session Manager	9-6
Additional References	9-7
Related Documents	9-7
Standards	9-7
Feature History for Session Manager	9-7

---

**CHAPTER 10**

<b>Configuring the Scheduler</b>	<b>10-1</b>
Information About the Scheduler	10-1
Scheduler Overview	10-2
Remote User Authentication	10-2
Logs	10-2
High Availability	10-2
Virtualization Support	10-2
Licensing Requirements for the Scheduler	10-3
Prerequisites for the Scheduler	10-3
Guidelines and Limitations	10-3
Default Settings	10-3
Configuring the Scheduler	10-4
Enabling the Scheduler	10-4
Defining the Scheduler Log File Size	10-5
Configuring Remote User Authentication	10-6
Defining a Job	10-7
Deleting a Job	10-8
Defining a Timetable	10-9

***Send document comments to [nexus7k-docfeedback@cisco.com](mailto:nexus7k-docfeedback@cisco.com).***

- Clearing the Scheduler Log File 10-11
- Disabling the Scheduler 10-12
- Verifying the Scheduler Configuration 10-13
- Configuration Examples for Scheduler 10-13
  - Creating a Scheduler Job 10-13
  - Scheduling a Scheduler Job 10-13
  - Displaying the Job Schedule 10-14
  - Displaying the Results of Running Scheduler Jobs 10-14
- Additional References 10-14
  - Related Documents 10-15
  - Standards 10-15
- Feature History for the Scheduler 10-15

**CHAPTER 11**

**Configuring SNMP 11-1**

- Information About SNMP 11-1
  - SNMP Functional Overview 11-2
  - SNMP Notifications 11-2
  - SNMPv3 11-2
  - SNMP and Embedded Event Manager 11-5
  - Multiple Instance Support 11-5
  - High Availability 11-6
  - Virtualization Support 11-6
- Licensing Requirements for SNMP 11-6
- Prerequisites for SNMP 11-6
- Guidelines and Limitations 11-7
- Default Settings 11-7
- Configuring SNMP 11-7
  - Configuring SNMP Users 11-8
  - Enforcing SNMP Message Encryption 11-9
  - Assigning SNMPv3 Users to Multiple Roles 11-9
  - Creating SNMP Communities 11-10
  - Filtering SNMP Requests 11-10
  - Configuring SNMP Notification Receivers 11-11
  - Configuring a Source Interface for SNMP Notifications 11-12
  - Configuring the Notification Target User 11-12
  - Configuring SNMP Notification Receivers with VRFs 11-13
  - Configuring SNMP to Send Traps Using an Inband Port 11-14
  - Enabling SNMP Notifications 11-16

***Send document comments to [nexus7k-docfeedback@cisco.com](mailto:nexus7k-docfeedback@cisco.com).***

Disabling LinkUp/LinkDown Notifications on an Interface	11-22
Displaying SNMP ifIndex for an Interface	11-23
Enabling a One-time Authentication for SNMP over TCP	11-23
Assigning the SNMP Device Contact and Location Information	11-23
Configuring the Context to Network Entity Mapping	11-24
Disabling SNMP	11-26
Modifying the AAA Synchronization Time	11-26
Verifying the SNMP Configuration	11-27
Configuration Examples for SNMP	11-27
Additional References	11-28
Related Documents	11-28
Standards	11-28
MIBs	11-29
Feature History for SNMP	11-29

---

**CHAPTER 12**

<b>Configuring RMON</b>	<b>12-1</b>
Information About RMON	12-1
RMON Alarms	12-2
RMON Events	12-2
High Availability	12-2
Virtualization Support	12-3
Licensing Requirements for RMON	12-3
Prerequisites for RMON	12-3
Guidelines and Limitations	12-3
Default Settings	12-3
Configuring RMON	12-4
Configuring RMON Alarms	12-4
Configuring RMON Events	12-6
Verifying the RMON Configuration	12-7
Configuration Example for RMON	12-7
Related Topics	12-7
Additional References	12-7
Related Documents	12-7
Standards	12-8
MIBs	12-8
Feature History for RMON	12-8

***Send document comments to [nexus7k-docfeedback@cisco.com](mailto:nexus7k-docfeedback@cisco.com).***

**CHAPTER 13**

**Configuring Online Diagnostics 13-1**

- Information About Online Diagnostics 13-1
  - Online Diagnostic Overview 13-2
  - Bootup Diagnostics 13-2
  - Runtime or Health Monitoring Diagnostics 13-3
  - On-Demand Diagnostics 13-5
  - High Availability 13-5
  - Virtualization Support 13-5
- Licensing Requirements for Online Diagnostics 13-5
- Prerequisites for Online Diagnostics 13-6
- Guidelines and Limitations 13-6
- Default Settings 13-6
- Configuring Online Diagnostics 13-6
  - Setting the Bootup Diagnostic Level 13-7
  - Activating a Diagnostic Test 13-7
  - Setting a Diagnostic Test as Inactive 13-9
  - Starting or Stopping an On-Demand Diagnostic Test 13-9
  - Clearing Diagnostic Results 13-10
  - Simulating Diagnostic Results 13-11
- Verifying the Online Diagnostics Configuration 13-11
- Configuration Examples for Online Diagnostics 13-12
- Additional References 13-12
  - Related Documents 13-12
  - Standards 13-12
- Feature History for Online Diagnostics 13-13

**CHAPTER 14**

**Configuring the Embedded Event Manager 14-1**

- Information About EEM 14-1
  - EEM Overview 14-2
  - Policies 14-2
  - Event Statements 14-3
  - Action Statements 14-4
  - VSH Script Policies 14-4
  - Environment Variables 14-5
  - EEM Event Correlation 14-5
  - High Availability 14-5
  - Virtualization Support 14-5
- Licensing Requirements for EEM 14-6

***Send document comments to [nexus7k-docfeedback@cisco.com](mailto:nexus7k-docfeedback@cisco.com).***

Prerequisites for EEM	14-6
Guidelines and Limitations	14-6
Default Settings	14-7
Configuring EEM	14-7
Defining an Environment Variable	14-7
Defining a User Policy Using the CLI	14-8
Defining a Policy using a VSH Script	14-14
Registering and Activating a VSH Script Policy	14-15
Overriding a Policy	14-15
Configuring Memory Thresholds	14-17
Configuring Syslog as EEM Publisher	14-19
Verifying the EEM Configuration	14-20
Configuration Examples for EEM	14-21
Additional References	14-22
Related Documents	14-22
Standards	14-22
Feature History for EEM	14-22

---

**CHAPTER 15**
**Configuring Onboard Failure Logging** 15-1

Information About OBFL	15-1
OBFL Overview	15-1
Virtualization Support	15-2
Licensing Requirements for OBFL	15-2
Prerequisites for OBFL	15-2
Guidelines and Limitations	15-3
Default Settings	15-3
Configuring OBFL	15-3
Verifying the OBFL Configuration	15-6
Configuration Example for OBFL	15-7
Additional References	15-7
Related Documents	15-7
Standards	15-7
Feature History for OBFL	15-8

---

**CHAPTER 16**
**Configuring SPAN** 16-1

Information About SPAN	16-1
SPAN Sources	16-2

***Send document comments to [nexus7k-docfeedback@cisco.com](mailto:nexus7k-docfeedback@cisco.com).***

- SPAN Destinations 16-2
- SPAN Sessions 16-3
- Virtual SPAN Sessions 16-3
- Multiple SPAN Sessions 16-4
- High Availability 16-4
- Virtualization Support 16-4
- Licensing Requirements for SPAN 16-5
- Prerequisites for SPAN 16-5
- Guidelines and Limitations 16-5
- Default Settings 16-7
- Configuring SPAN 16-7
  - Configuring a SPAN Session 16-8
  - Configuring a Virtual SPAN Session 16-11
  - Configuring an RSPAN VLAN 16-14
  - Shutting Down or Resuming a SPAN Session 16-15
  - Configuring MTU Truncation for Each SPAN Session 16-16
  - Configuring a Source Rate Limit for Each SPAN Session 16-17
  - Configuring the Multicast Best Effort Mode for a SPAN Session 16-19
- Verifying the SPAN Configuration 16-20
- Configuration Examples for SPAN 16-21
  - Configuration Example for a SPAN Session 16-21
  - Configuration Example for a Virtual SPAN Session 16-21
  - Configuration Example for a SPAN Session with a Private VLAN Source 16-22
- Additional References 16-23
  - Related Documents 16-23
  - Standards 16-23
- Feature History for SPAN 16-24

**CHAPTER 17**

**Configuring ERSPAN 17-1**

- Information About ERSPAN 17-1
  - ERSPAN Sources 17-2
  - ERSPAN Destinations 17-2
  - ERSPAN Sessions 17-2
  - Multiple ERSPAN Sessions 17-3
  - High Availability 17-3
  - Virtualization Support 17-3
- Licensing Requirements for ERSPAN 17-4
- Prerequisites for ERSPAN 17-4

***Send document comments to [nexus7k-docfeedback@cisco.com](mailto:nexus7k-docfeedback@cisco.com).***

Guidelines and Limitations	17-4
Default Settings	17-5
Configuring ERSPAN	17-6
Configuring an ERSPAN Source Session	17-6
Configuring an ERSPAN Destination Session	17-9
Shutting Down or Activating an ERSPAN Session	17-12
Configuring the Multicast Best Effort Mode for an ERSPAN Session	17-14
Verifying the ERSPAN Configuration	17-15
Configuration Examples for ERSPAN	17-15
Configuration Example for an ERSPAN Source Session	17-16
Configuration Example for an ERSPAN Destination Session	17-16
Configuration Example for an ERSPAN ACL	17-16
Configuration Example for ERSPAN Using the Multicast Best Effort Mode	17-17
Additional References	17-17
Related Documents	17-17
Standards	17-17
Feature History for ERSPAN	17-18

## CHAPTER 18

<b>Configuring LLDP</b>	<b>18-1</b>
Information About LLDP	18-1
LLDP Overview	18-2
DCBXP Overview	18-2
High Availability	18-3
Virtualization Support	18-3
Licensing Requirements for LLDP	18-3
Guidelines and Limitations	18-4
Default Settings	18-4
Configuring LLDP	18-4
Enabling or Disabling LLDP Globally	18-5
Enabling or Disabling LLDP on an Interface	18-6
Configuring Optional LLDP Parameters	18-7
Verifying the LLDP Configuration	18-9
Configuration Example for LLDP	18-9
Additional References	18-10
Related Documents	18-10
Standards	18-10
Feature History for LLDP	18-10

***Send document comments to [nexus7k-docfeedback@cisco.com](mailto:nexus7k-docfeedback@cisco.com).***

**CHAPTER 19**

**Configuring NetFlow 19-1**

- Information About NetFlow 19-1
  - NetFlow Overview 19-1
  - High Availability 19-3
  - Virtualization Support 19-4
- Licensing Requirements for NetFlow 19-4
- Prerequisites for NetFlow 19-4
- Guidelines and Limitations 19-4
- Default Settings 19-5
- Configuring NetFlow 19-5
  - Enabling the NetFlow Feature 19-6
  - Creating a Flow Record 19-6
  - Creating a Flow Exporter 19-9
  - Creating a Flow Monitor 19-11
  - Creating a Sampler 19-12
  - Applying a Flow to an Interface 19-13
  - Configuring Bridged NetFlow on a VLAN 19-14
  - Configuring Layer 2 NetFlow 19-15
  - Configuring NetFlow Timeouts 19-17
- Verifying the NetFlow Configuration 19-18
- Monitoring NetFlow 19-19
- Configuration Example for NetFlow 19-19
- Additional References 19-19
  - Related Documents 19-19
  - Standards 19-20
- Feature History for NetFlow 19-20

**APPENDIX A**

**IETF RFCs supported by Cisco NX-OS System Management A-1**

- RFCs A-1

**APPENDIX B**

**Embedded Event Manager System Events and Configuration Examples B-1**

- EEM System Policies B-1
- EEM Events B-3
- Configuration Examples for EEM Policies B-4
  - Configuration Examples for CLI Events B-4
  - Configuration Examples to Override (Disable) Major Thresholds B-5
  - Configuration Examples to Override (Disable) Shutdown for Fan Tray Removal B-8
  - Configuration Examples to Create a Supplemental Policy B-11



***Send document comments to [nexus7k-docfeedback@cisco.com](mailto:nexus7k-docfeedback@cisco.com).***

Configuration Examples for the Power Over-Budget Policy	<b>B-11</b>
Configuration Examples to Select Modules to Shut Down	<b>B-12</b>
Configuration Examples for the Online Insertion Removal Event	<b>B-13</b>
Configuration Example to Generate a User Syslog	<b>B-13</b>
Configuration Example to Monitor Syslog Messages	<b>B-14</b>
Configuration Examples for SNMP Notification	<b>B-14</b>
Configuration Example for Port Tracking	<b>B-15</b>

Feature History for EEM Policies	<b>B-15</b>
----------------------------------	-------------

---

**APPENDIX C**

<b>Configuration Limits for Cisco NX-OS System Management</b>	<b>C-1</b>
---	------------

---

**INDEX**

***Send document comments to [nexus7k-docfeedback@cisco.com](mailto:nexus7k-docfeedback@cisco.com).***



## New and Changed Information

This chapter provides release-specific information for each new and changed feature in the *Cisco Nexus 7000 Series NX-OS System Management Configuration Guide, Release 5.x*. The latest version of this document is available at the following Cisco website:

[http://www.cisco.com/en/US/products/ps9402/products\\_installation\\_and\\_configuration\\_guides\\_list.html](http://www.cisco.com/en/US/products/ps9402/products_installation_and_configuration_guides_list.html)

To check for additional information about Cisco NX-OS Release 5.x, see the *Cisco Nexus 7000 Series NX-OS Release Notes, Release 5.x* available at the following Cisco website:

[http://www.cisco.com/en/US/products/ps9402/prod\\_release\\_notes\\_list.html](http://www.cisco.com/en/US/products/ps9402/prod_release_notes_list.html)

**Table 1** summarizes the new and changed features for the *Cisco Nexus 7000 Series NX-OS System Management Configuration Guide, Release 5.x* and tells you where they are documented.

**Table 1** *New and Changed Features for Release 5.x*

Feature	Description	Changed in Release	Where Documented
NTP	Increased the length of NTP authentication keys from 8 to 15 alphanumeric characters.	5.2(3)	<a href="#">Chapter 3, “Configuring NTP Authentication”</a>
CFS protocol	Added CFS over Fibre Channel (CFSoverFC) distribution support for device alias, DPVM, FC domain, FC port security, FC timer, IVR, and RSCN.	5.2(1)	<a href="#">Chapter 2, “Configuring CFS”</a>
EEM event correlation	Added support for multiple event triggers in a single EEM policy.	5.2(1)	<a href="#">Chapter 14, “Configuring the Embedded Event Manager”</a>
ERSPAN	Added ERSPAN source support for Cisco Nexus 2000 Series Fabric Extender interfaces.	5.2(1)	<a href="#">Chapter 17, “Configuring ERSPAN”</a>
ERSPAN	Added the ability to configure the multicast best effort mode for an ERSPAN session.	5.2(1)	<a href="#">Chapter 17, “Configuring ERSPAN”</a>
HTTP proxy server for Smart Call Home	Added the ability to send HTTP messages through an HTTP proxy server.	5.2(1)	<a href="#">Chapter 7, “Configuring Smart Call Home”</a>
LLDP	Added LLDP support for the Cisco Nexus 2000 Series Fabric Extender.	5.2(1)	<a href="#">Chapter 18, “Configuring LLDP”</a>
NetFlow	Added NetFlow support on switch virtual interfaces (SVIs) for F1 Series ports.	5.2(1)	<a href="#">Chapter 19, “Configuring NetFlow”</a>

**[Send document comments to nexus7k-docfeedback@cisco.com.](mailto:nexus7k-docfeedback@cisco.com)**

**Table 1**      ***New and Changed Features for Release 5.x (continued)***

<b>Feature</b>	<b>Description</b>	<b>Changed in Release</b>	<b>Where Documented</b>
NTP	Added NTP support for all VDCs, enabling them to act as time servers.	5.2(1)	<a href="#">Chapter 3, “Virtualization Support”</a>
NTP	Added the ability to configure the device as an authoritative NTP server, enabling it to distribute time even when it is not synchronized to an existing time server.	5.2(1)	<a href="#">Chapter 3, “Configuring the Device as an Authoritative NTP Server”</a>
NTP	Changed the command to enable or disable NTP from <b>[no] ntp enable</b> to <b>[no] feature ntp</b> .	5.2(1)	<a href="#">Chapter 3, “Enabling or Disabling NTP”</a>
NTP access groups	Added the <b>serve</b> , <b>serve-only</b> , and <b>query-only</b> access group options to control access to additional NTP services.	5.2(1)	<a href="#">Chapter 3, “Configuring NTP Access Restrictions”</a>
Online diagnostics (GOLD)	Enabled the SpineControlBus test on the standby supervisor.	5.2(1)	<a href="#">Chapter 13, “Configuring Online Diagnostics”</a>
Online diagnostics (GOLD)	Deprecated the SnakeLoopback test on F1 Series modules.	5.2(1)	<a href="#">Chapter 13, “Configuring Online Diagnostics”</a>
PTP	Added support for the Precision Time Protocol (PTP).	5.2(1)	<a href="#">Chapter 4, “Configuring PTP”</a>
SPAN	Added SPAN source support for Cisco Nexus 2000 Series Fabric Extender interfaces.	5.2(1)	<a href="#">Chapter 16, “Configuring SPAN”</a>
SPAN	Added the ability to configure MTU truncation, the source rate limit, and the multicast best effort mode for each SPAN session.	5.2(1)	<a href="#">Chapter 16, “Configuring SPAN”</a>
System message logging	Added the ability to add the description for physical Ethernet interfaces and subinterfaces in the system message log.	5.2(1)	<a href="#">Chapter 6, “Configuring System Message Logging”</a>
Online diagnostics (GOLD)	Added support for the SnakeLoopback test on F1 Series modules.	5.1(2)	<a href="#">Chapter 13, “Configuring Online Diagnostics”</a>
Bridged NetFlow	Added support for VLAN configuration mode, which enables you to configure VLANs independently of their creation, when configuring bridged NetFlow on a VLAN.	5.1(1)	<a href="#">Chapter 19, “Configuring Bridged NetFlow on a VLAN”</a>
DCBXP	This link layer protocol is used to announce, exchange, and negotiate node parameters between peers.	5.1(1)	<a href="#">Chapter 18, “Configuring LLDP”</a>
ERSPAN and ERSPAN ACLs	You can configure ERSPAN to monitor traffic across the IP network.	5.1(1)	<a href="#">Chapter 17, “Configuring ERSPAN”</a>
Online diagnostics (GOLD)	Added support for FIPS and BootupPortLoopback tests.	5.1(1)	<a href="#">Chapter 13, “Configuring Online Diagnostics”</a>
RMON	Enabled RMON by default.	5.1(1)	<a href="#">Chapter 12, “Configuring RMON”</a>

***Send document comments to [nexus7k-docfeedback@cisco.com](mailto:nexus7k-docfeedback@cisco.com).***

**Table 1**      ***New and Changed Features for Release 5.x (continued)***

<b>Feature</b>	<b>Description</b>	<b>Changed in Release</b>	<b>Where Documented</b>
SPAN	Added support for F1 Series modules and increased the number of supported SPAN sessions from 18 to 48.	5.1(1)	<a href="#">Chapter 16, “Configuring SPAN”</a>
Syslog as EEM publisher	You can monitor syslog messages from the switch.	5.1(1)	<a href="#">Chapter 14, “Configuring the Embedded Event Manager”</a> and <a href="#">Appendix B, “Embedded Event Manager System Events and Configuration Examples”</a>
Syslog servers	Increased the number of supported syslog servers from three to eight.	5.1(1)	<a href="#">Chapter 6, “Configuring System Message Logging”</a>
SMTP server configuration for Smart Call Home	You can configure multiple SMTP servers for Smart Call Home.	5.0(2)	<a href="#">Chapter 7, “Configuring Smart Call Home”</a>
VRF support for HTTP transport of Smart Call Home messages	VRFs can be used to send e-mail and other Smart Call Home messages over HTTP.	5.0(2)	<a href="#">Chapter 7, “Configuring Smart Call Home”</a>
Smart Call Home crash notifications	Messages are sent for process crashes on line cards (as well as supervisor modules).	5.0(2)	<a href="#">Chapter 7, “Configuring Smart Call Home”</a>
EEM system policies	Fan EEM policies are modified for the Cisco Nexus 7000 10-Slot Switch.	5.0(2)	<a href="#">Appendix B, “Embedded Event Manager System Events and Configuration Examples”</a>
LLDP	You can configure the Link Layer Discovery Protocol (LLDP) in order to discover other devices on the local network.	5.0(2)	<a href="#">Chapter 18, “Configuring LLDP”</a>
NetFlow	You can specify the NetFlow instance for which you want to display NetFlow IPv4 flows and NetFlow table utilization.	5.0(2)	<a href="#">Chapter 19, “Verifying the NetFlow Configuration”</a>
NTP access groups	You can control access to NTP services by using access groups.	5.0(2)	<a href="#">Chapter 3, “Configuring NTP Authentication”</a>
NTP authentication	You can configure the device to authenticate the time sources to which the local clock is synchronized.	5.0(2)	<a href="#">Chapter 3, “Configuring NTP Authentication”</a>
NTP logging	You can configure NTP logging in order to generate system logs with significant NTP events.	5.0(2)	<a href="#">Chapter 3, “Configuring NTP Authentication”</a>
NTP server configuration	Added the optional <b>key</b> keyword to the <b>ntp server</b> command to configure a key to be used while communicating with the NTP server.	5.0(2)	<a href="#">Chapter 3, “Configuring NTP Authentication”</a>
SNMP notifications	Updated the <b>snmp-server enable traps</b> commands.	5.0(2)	<a href="#">Chapter 11, “Configuring SNMP”</a>

***Send document comments to [nexus7k-docfeedback@cisco.com](mailto:nexus7k-docfeedback@cisco.com).***

***Send document comments to [nexus7k-docfeedback@cisco.com](mailto:nexus7k-docfeedback@cisco.com).***



## Preface

---

This preface describes the audience, organization and conventions of the *Cisco Nexus 7000 Series NX-OS System Management Configuration Guide, Release 5.x*. It also provides information on how to obtain related documentation.

This chapter includes the following sections:

- [Audience, page xxiii](#)
- [Document Organization, page xxiii](#)
- [Document Conventions, page xxv](#)
- [Related Documentation, page xxv](#)
- [Obtaining Documentation and Submitting a Service Request, page xxvii](#)

## Audience

This publication is for experienced network administrators who configure and maintain Cisco NX-OS devices.

## Document Organization

This document is organized into the following chapters:

Title	Description
<a href="#">Chapter 1, “Overview”</a>	Provides an overview of the features in this document.
<a href="#">Chapter 2, “Configuring CFS”</a>	Describes how to use Cisco Fabric Services (CFS) to distribute data, including configuration changes, to all Cisco NX-OS devices in a network.
<a href="#">Chapter 3, “Configuring NTP”</a>	Describes how to configure the Network Time Protocol (NTP).
<a href="#">Chapter 4, “Configuring PTP”</a>	Describes how to configure the Precision Time Protocol (PTP).
<a href="#">Chapter 5, “Configuring CDP”</a>	Describes how to configure the Cisco Discovery Protocol (CDP).

***Send document comments to [nexus7k-docfeedback@cisco.com](mailto:nexus7k-docfeedback@cisco.com).***

<b>Title</b>	<b>Description</b>
Chapter 6, “Configuring System Message Logging”	Describes how to configure logging for system messages.
Chapter 7, “Configuring Smart Call Home”	Describes how to configure the smart Call Home feature for e-mail-based notification of critical system policies.
Chapter 8, “Configuring Rollback”	Describes how to create configuration snapshots with the rollback feature and how to apply commands in batch mode with the Session Manager.
Chapter 9, “Configuring Session Manager”	Describes how to apply commands in batch mode with the Session Manager.
Chapter 10, “Configuring the Scheduler”	Describes how to schedule batch configuration jobs.
Chapter 11, “Configuring SNMP”	Describes how to configure SNMP and enable SNMP notifications.
Chapter 12, “Configuring RMON”	Describes how to monitor the device by configuring RMON alarms and events.
Chapter 13, “Configuring Online Diagnostics”	Describes how to configure online diagnostics to monitor the software and hardware.
Chapter 14, “Configuring the Embedded Event Manager”	Describes how to configure the Embedded Event Manager.
Chapter 15, “Configuring Onboard Failure Logging”	Describes how to configure on-board failure logging to log failure data to persistent storage.
Chapter 16, “Configuring SPAN”	Describes how to configure SPAN to monitor traffic into and out of a port.
Chapter 17, “Configuring ERSPAN”	Describes how to configure ERSPAN to transport mirrored traffic in an IP network on Cisco NX-OS devices.
Chapter 18, “Configuring LLDP”	Describes how to configure Link Layer Discovery Protocol (LLDP) in order to discover servers that are connected to your device.
Chapter 19, “Configuring NetFlow”	Describes how to configure NetFlow to gather statistics on input and output traffic.
Appendix A, “IETF RFCs supported by Cisco NX-OS System Management”	Lists supported IETF RFCs.
Appendix B, “Embedded Event Manager System Events and Configuration Examples”	Lists the EEM system policies.
Appendix C, “Configuration Limits for Cisco NX-OS System Management”	Lists the maximum system management configuration limits.



[Send document comments to nexus7k-docfeedback@cisco.com.](mailto:nexus7k-docfeedback@cisco.com)

## Document Conventions

Command descriptions use these conventions:

Convention	Description
<b>boldface font</b>	Commands and keywords are in boldface.
<i>italic font</i>	Arguments for which you supply values are in italics.
[ ]	Elements in square brackets are optional.
[ x   y   z ]	Optional alternative keywords are grouped in brackets and separated by vertical bars.
string	A nonquoted set of characters. Do not use quotation marks around the string or the string will include the quotation marks.

Screen examples use these conventions:

screen font	Terminal sessions and information that the switch displays are in screen font.
<b>boldface screen font</b>	Information that you must enter is in boldface screen font.
<i>italic screen font</i>	Arguments for which you supply values are in italic screen font.
< >	Nonprinting characters, such as passwords, are in angle brackets.
[ ]	Default responses to system prompts are in square brackets.
!, #	An exclamation point (!) or a pound sign (#) at the beginning of a line of code indicates a comment line.

This document uses the following conventions:



### Note

Means reader *take note*. Notes contain helpful suggestions or references to material not covered in the manual.



### Caution

Means *reader be careful*. In this situation, you might do something that could result in equipment damage or loss of data.

## Related Documentation

[Cisco NX-OS](#) includes the following documents:

### Release Notes

*Cisco Nexus 7000 Series NX-OS Release Notes, Release 5.x*

**[Send document comments to nexus7k-docfeedback@cisco.com.](mailto:nexus7k-docfeedback@cisco.com)**

## **Cisco NX-OS Configuration Guides**

*Configuring the Cisco Nexus 2000 Series Fabric Extender*  
*Cisco Nexus 7000 Series NX-OS FabricPath Configuration Guide*  
*Configuring Feature Set for FabricPath*  
*Cisco NX-OS FCoE Configuration Guide for Cisco Nexus 7000 and Cisco MDS 9500*  
*Cisco Nexus 7000 Series NX-OS Fundamentals Configuration Guide, Release 5.x*  
*Cisco Nexus 7000 Series NX-OS High Availability and Redundancy Guide, Release 5.x*  
*Cisco Nexus 7000 Series NX-OS Interfaces Configuration Guide, Release 5.x*  
*Cisco Nexus 7000 Series NX-OS Layer 2 Switching Configuration Guide, Release 5.x*  
*Cisco Nexus 7000 Series NX-OS LISP Configuration Guide*  
*Cisco Nexus 7000 Series NX-OS MPLS Configuration Guide*  
*Cisco Nexus 7000 Series NX-OS Multicast Routing Configuration Guide, Release 5.x*  
*Cisco Nexus 7000 Series NX-OS OTV Configuration Guide*  
*Cisco Nexus 7000 Series OTV Quick Start Guide*  
*Cisco Nexus 7000 Series NX-OS Quality of Service Configuration Guide, Release 5.x*  
*Cisco Nexus 7000 Series NX-OS SAN Switching Configuration Guide*  
*Cisco Nexus 7000 Series NX-OS Security Configuration Guide, Release 5.x*  
*Cisco Nexus 7000 Series NX-OS System Management Configuration Guide, Release 5.x*  
*Cisco Nexus 7000 Series NX-OS Unicast Routing Configuration Guide, Release 5.x*  
*Cisco Nexus 7000 Series NX-OS Virtual Device Context Configuration Guide, Release 5.x*  
*Cisco Nexus 7000 Series NX-OS Virtual Device Context Quick Start, Release 5.x*

## **Cisco NX-OS Command References**

*Cisco Nexus 7000 Series NX-OS Command Reference Master Index*  
*Cisco Nexus 7000 Series NX-OS FabricPath Command Reference*  
*Cisco NX-OS FCoE Command Reference for Cisco Nexus 7000 and Cisco MDS 9500*  
*Cisco Nexus 7000 Series NX-OS Fundamentals Command Reference*  
*Cisco Nexus 7000 Series NX-OS High Availability Command Reference*  
*Cisco Nexus 7000 Series NX-OS Interfaces Command Reference*  
*Cisco Nexus 7000 Series NX-OS Layer 2 Switching Command Reference*  
*Cisco Nexus 7000 Series NX-OS LISP Command Reference*  
*Cisco Nexus 7000 Series NX-OS MPLS Command Reference*  
*Cisco Nexus 7000 Series NX-OS Multicast Routing Command Reference*  
*Cisco Nexus 7000 Series NX-OS OTV Command Reference*  
*Cisco Nexus 7000 Series NX-OS Quality of Service Command Reference*  
*Cisco Nexus 7000 Series NX-OS SAN Switching Command Reference*  
*Cisco Nexus 7000 Series NX-OS Security Command Reference*

***Send document comments to [nexus7k-docfeedback@cisco.com](mailto:nexus7k-docfeedback@cisco.com).***

*Cisco Nexus 7000 Series NX-OS System Management Command Reference*

*Cisco Nexus 7000 Series NX-OS Unicast Routing Command Reference*

*Cisco Nexus 7000 Series NX-OS Virtual Device Context Command Reference*

### **Other Software Document**

*Cisco NX-OS Licensing Guide*

*Cisco Nexus 7000 Series NX-OS MIB Quick Reference*

*Cisco Nexus 7000 Series NX-OS Software Upgrade and Downgrade Guide, Release 5.x*

*Cisco NX-OS System Messages Reference*

*Cisco Nexus 7000 Series NX-OS Troubleshooting Guide*

*Cisco NX-OS XML Interface User Guide*

## **Obtaining Documentation and Submitting a Service Request**

For information on obtaining documentation, submitting a service request, and gathering additional information, see the monthly *What's New in Cisco Product Documentation*, which also lists all new and revised Cisco technical documentation, at:

<http://www.cisco.com/en/US/docs/general/whatsnew/whatsnew.html>

Subscribe to the *What's New in Cisco Product Documentation* as a Really Simple Syndication (RSS) feed and set content to be delivered directly to your desktop using a reader application. The RSS feeds are a free service and Cisco currently supports RSS Version 2.0.

***Send document comments to [nexus7k-docfeedback@cisco.com](mailto:nexus7k-docfeedback@cisco.com).***



# CHAPTER 1

## Overview

---

This chapter describes the system management features that you can use to monitor and manage Cisco NX-OS devices.

This chapter includes the following sections:

- [Cisco NX-OS Device Configuration Methods, page 1-2](#)
- [Cisco Fabric Services, page 1-3](#)
- [Network Time Protocol, page 1-3](#)
- [Precision Time Protocol, page 1-3](#)
- [Cisco Discovery Protocol, page 1-4](#)
- [System Messages, page 1-4](#)
- [Call Home, page 1-4](#)
- [Rollback, page 1-4](#)
- [Session Manager, page 1-4](#)
- [Scheduler, page 1-5](#)
- [SNMP, page 1-5](#)
- [RMON, page 1-5](#)
- [Online Diagnostics, page 1-5](#)
- [Embedded Event Manager, page 1-5](#)
- [On-Board Failure Logging, page 1-5](#)
- [SPAN, page 1-6](#)
- [ERSPAN, page 1-6](#)
- [LLDP, page 1-6](#)
- [NetFlow, page 1-6](#)
- [FabricPath, page 1-7](#)
- [Troubleshooting Features, page 1-7](#)

[Send document comments to nexus7k-docfeedback@cisco.com.](mailto:nexus7k-docfeedback@cisco.com)

# Cisco NX-OS Device Configuration Methods

You can configure devices using direct network configuration methods or web services hosted on a Cisco Data Center Network Management (Cisco DCNM) server.

Figure 1-1 shows the device configuration methods available to a network user.

**Figure 1-1** Cisco NX-OS Device Configuration Methods

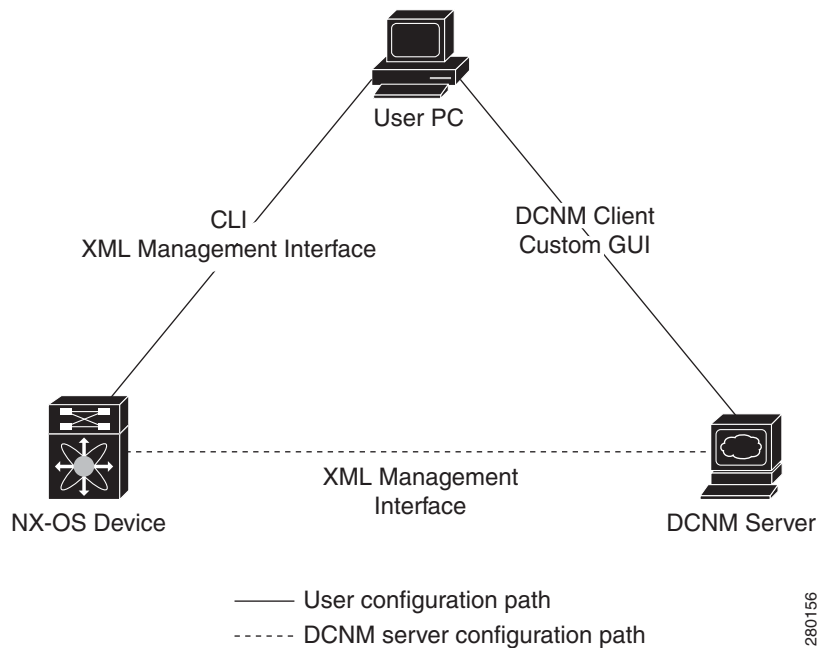


Table 1-1 lists the configuration method and the document where you can find more information.

**Table 1-1** Configuration Methods Book Links

Configuration Method	Document
CLI from a Secure Shell (SSH) session, a Telnet session, or the console port	<i>Cisco Nexus 7000 Series NX-OS Fundamentals Configuration Guide, Release 5.x</i>
XML management interface	<i>Cisco NX-OS XML Interface User Guide</i>
Cisco DCNM client	<i>Fundamentals Configuration Guide, Cisco DCNM for LAN, Release 5.x</i>
User-defined GUI	<i>Web Services API Guide, Cisco DCNM for LAN, Release 5.x</i>

This section includes the following topics:

- [Configuring with CLI or XML Management Interface, page 1-3](#)
- [Configuring with Cisco DCNM or a Custom GUI, page 1-3](#)

***Send document comments to [nexus7k-docfeedback@cisco.com](mailto:nexus7k-docfeedback@cisco.com).***

## Configuring with CLI or XML Management Interface

You can configure Cisco NX-OS devices using the command-line interface (CLI) or the XML management interface over Secure Shell (SSH) as follows:

- CLI from an SSH session, a Telnet session, or the console port—You can configure devices using the CLI from an SSH session, a Telnet session, or the console port. SSH provides a secure connection to the device. For more information, see the *Cisco Nexus 7000 Series NX-OS Fundamentals Configuration Guide, Release 5.x*.
- XML management interface over SSH—You can configure devices using the XML management interface, which is a programmatic method based on the NETCONF protocol that complements the CLI functionality. For more information, see the *Cisco NX-OS XML Interface User Guide*.

## Configuring with Cisco DCNM or a Custom GUI

You can configure Cisco NX-OS devices using the Cisco DCNM client or from your own GUI as follows:

- Cisco DCNM Client—You can configure devices using the Cisco DCNM client, which runs on your local PC and uses web services on the Cisco DCNM server. The Cisco DCNM server configures the device over the XML management interface. For more information about the Cisco DCNM client, see the *Fundamentals Configuration Guide, Cisco DCNM for LAN, Release 5.x*.
- Custom GUI—You can create your own GUI to configure devices using the Cisco DCNM web services application program interface (API) on the Cisco DCNM server. You use the SOAP protocol to exchange XML-based configuration messages with the Cisco DCNM server. The Cisco DCNM server configures the device over the XML management interface. For more information about creating custom GUIs, see the *Web Services API Guide, Cisco DCNM for LAN, Release 5.x*.

## Cisco Fabric Services

Cisco Fabric Services (CFS) is a Cisco proprietary feature that distributes data, including configuration changes, to all Cisco NX-OS devices in a network. For more information about CFS, see [Chapter 2, “Configuring CFS.”](#)

## Network Time Protocol

The Network Time Protocol (NTP) synchronizes the time of day among a set of distributed time servers and clients so that you can correlate time-specific information, such as system logs, received from the devices in your network. For more information about NTP, see [Chapter 3, “Configuring NTP.”](#)

## Precision Time Protocol

The Precision Time Protocol (PTP) is a time synchronization protocol for nodes distributed across a network. Its hardware timestamp feature provides greater accuracy than other time synchronization protocols such as Network Time Protocol (NTP). For more information about PTP, see [Chapter 4, “Configuring PTP.”](#)

[Send document comments to nexus7k-docfeedback@cisco.com.](mailto:nexus7k-docfeedback@cisco.com)

## Cisco Discovery Protocol

You can use the Cisco Discovery Protocol (CDP) to discover and view information about all Cisco equipment that is directly attached to your device. CDP runs on all Cisco-manufactured equipment including routers, bridges, access and communication servers, and switches. CDP is media and protocol independent, and gathers the protocol addresses of neighboring devices, discovering the platform of those devices. CDP runs over the data link layer only. Two systems that support different Layer 3 protocols can learn about each other. For more information about CDP, see [Chapter 5, “Configuring CDP.”](#)

## System Messages

You can use system message logging to control the destination and to filter the severity level of messages that system processes generate. You can configure logging to a terminal session, a log file, and syslog servers on remote systems.

System message logging is based on RFC 3164. For more information about the system message format and the messages that the device generates, see the *Cisco NX-OS System Messages Reference*. For information about configuring system messages, see [Chapter 6, “Configuring System Message Logging.”](#)

## Call Home

Call Home provides an e-mail-based notification of critical system policies. Cisco NX-OS provides a range of message formats for optimal compatibility with pager services, standard e-mail, or XML-based automated parsing applications. You can use this feature to page a network support engineer, e-mail a Network Operations Center, or use Cisco Smart Call Home services to automatically generate a case with the Technical Assistance Center. For information about configuring Call Home, see [Chapter 7, “Configuring Smart Call Home.”](#)

## Rollback

The rollback feature allows you to take a snapshot, or checkpoint, of the device configuration and then reapply that configuration at any point without having to reload. Rollback allows any authorized administrator to apply this checkpoint configuration without requiring expert knowledge of the features configured in the checkpoint.

Session Manager allows you to create a configuration session and apply all commands within that session atomically. For more information, see the [Chapter 8, “Configuring Rollback.”](#)

## Session Manager

Session Manager allows you to create a configuration and apply it in batch mode after the configuration is reviewed and verified for accuracy and completeness. For more information, see [Chapter 9, “Configuring Session Manager.”](#)



***Send document comments to [nexus7k-docfeedback@cisco.com](mailto:nexus7k-docfeedback@cisco.com).***

## Scheduler

The scheduler allows you to create and manage jobs such as routinely backing up data or making QoS policy changes. The scheduler can start a job according to your needs—only once at a specified time or at periodic intervals. For more information, see [Chapter 10, “Configuring the Scheduler.”](#)

## SNMP

The Simple Network Management Protocol (SNMP) is an application-layer protocol that provides a message format for communication between SNMP managers and agents. SNMP provides a standardized framework and a common language used for the monitoring and management of devices in a network. For more information, see [Chapter 11, “Configuring SNMP.”](#)

## RMON

RMON is an Internet Engineering Task Force (IETF) standard monitoring specification that allows various network agents and console systems to exchange network monitoring data. Cisco NX-OS supports RMON alarms, events, and logs to monitor Cisco NX-OS devices. For more information, see [Chapter 12, “Configuring RMON.”](#)

## Online Diagnostics

Cisco Generic Online Diagnostics (GOLD) define a common framework for diagnostic operations across Cisco platforms. The online diagnostic framework specifies the platform-independent fault-detection architecture for centralized and distributed systems, including the common diagnostics CLI and the platform-independent fault-detection procedures for boot-up and run-time diagnostics.

The platform-specific diagnostics provide hardware-specific fault-detection tests and allow you to take appropriate corrective action in response to diagnostic test results. For information about configuring online diagnostics, see [Chapter 13, “Configuring Online Diagnostics.”](#)

## Embedded Event Manager

The Embedded Event Manager (EEM) allows you to detect and handle critical events in the system. EEM provides event detection and recovery, including monitoring of events either as they occur or as thresholds are crossed. For information about configuring EEM, see [Chapter 14, “Configuring the Embedded Event Manager.”](#)

## On-Board Failure Logging

You can configure a device to log failure data to persistent storage, which you can retrieve and display for analysis at a later time. This on-board failure logging (OBFL) feature stores failure and environmental information in nonvolatile memory on the module. This information is useful for analysis of failed modules. For information about configuring OBFL, see [Chapter 15, “Configuring Onboard Failure Logging.”](#)

*[Send document comments to nexus7k-docfeedback@cisco.com.](mailto:nexus7k-docfeedback@cisco.com)*

## SPAN

You can configure an Ethernet switched port analyzer (SPAN) to monitor traffic in and out of your device. The SPAN features allow you to duplicate packets from source ports to destination ports. For information about configuring SPAN, see [Chapter 16, “Configuring SPAN.”](#)

## ERSPAN

Encapsulated remote switched port analyzer (ERSPAN) is used to transport mirrored traffic in an IP network. ERSPAN supports source ports, source VLANs, and destinations on different switches, which provide remote monitoring of multiple switches across your network. ERSPAN uses a generic routing encapsulation (GRE) tunnel to carry traffic between switches.

ERSPAN consists of an ERSPAN source session, routable ERSPAN GRE-encapsulated traffic, and an ERSPAN destination session. You separately configure ERSPAN source sessions and destination sessions on different switches.

To configure an ERSPAN source session on one switch, you associate a set of source ports or VLANs with a destination IP address, ERSPAN ID number, and virtual routing and forwarding (VRF) name. To configure an ERSPAN destination session on another switch, you associate the destinations with the source IP address, the ERSPAN ID number, and a VRF name.

The ERSPAN source session copies traffic from the source ports or source VLANs and forwards the traffic using routable GRE-encapsulated packets to the ERSPAN destination session. The ERSPAN destination session switches the traffic to the destinations. For information about configuring ERSPAN, see [Chapter 17, “Configuring ERSPAN.”](#)

## LLDP

Link Layer Discovery Protocol (LLDP) is a vendor-neutral, one-way device discovery protocol that allows network devices to advertise information about themselves to other devices on the network. This protocol runs over the data-link layer, which allows two systems running different network layer protocols to learn about each other. You can enable LLDP globally or per interface. For information about configuring LLDP, see [Chapter 18, “Configuring LLDP.”](#)

## NetFlow

NetFlow allows you to identify packet flows for both ingress and egress IP packets and provide statistics based on these packet flows. NetFlow does not require any change to either the packets themselves or to any networking device. For information about configuring NetFlow, see [Chapter 19, “Configuring NetFlow.”](#)

[Send document comments to nexus7k-docfeedback@cisco.com.](mailto:nexus7k-docfeedback@cisco.com)

## FabricPath

FabricPath brings the benefits of Layer 3 routing to Layer 2 switched networks to build a highly resilient and scalable Layer 2 fabric. The system manager is responsible for starting the FabricPath resources process and monitoring its heartbeats. For information about configuring FabricPath, see the *Cisco Nexus 7000 Series NX-OS FabricPath Configuration Guide*.

## Troubleshooting Features

Cisco NX-OS provides troubleshooting tools such as ping, traceroute, Ethanalyzer, and the Blue Beacon feature. See the *Cisco Nexus 7000 Series NX-OS Troubleshooting Guide* for details on these features.

When a service fails, the system generates information that can be used to determine the cause of the failure. The following sources of information are available:

- Every service restart generates a syslog message of level LOG\_ERR.
- If the Smart Call Home service is enabled, every service restart generates a Smart Call Home event.
- If SNMP traps are enabled, the SNMP agent sends a trap when a service is restarted.
- When a service failure occurs on a local module, you can view a log of the event by entering the **show processes log** command in that module. The process logs are persistent across supervisor switchovers and resets.
- When a service fails, a system core image file is generated. You can view recent core images by entering the **show cores** command on the active supervisor. Core files are not persistent across supervisor switchovers and resets, but you can configure the system to export core files to an external server using a file transfer utility such as Trivial File Transfer Protocol (TFTP) by entering the **system cores** command.
- CISCO-SYSTEM-MIB contains a table for cores (cseSwCoresTable).

For information on collecting and using the generated information relating to service failures, see the *Cisco Nexus 7000 Series NX-OS Troubleshooting Guide*.

***Send document comments to [nexus7k-docfeedback@cisco.com](mailto:nexus7k-docfeedback@cisco.com).***



## CHAPTER 2

# Configuring CFS

---

This chapter describes how to use Cisco Fabric Services (CFS), a Cisco proprietary feature that distributes data, including configuration changes, to all Cisco NX-OS devices in a network.

This chapter includes the following sections:

- [Information About CFS, page 2-1](#)
- [Licensing Requirements for CFS, page 2-5](#)
- [Prerequisites for CFS, page 2-5](#)
- [Guidelines and Limitations, page 2-5](#)
- [Default Settings, page 2-6](#)
- [Configuring CFS Distribution, page 2-6](#)
- [Verifying the CFS Configuration, page 2-32](#)
- [Additional References, page 2-32](#)
- [Feature History for CFS, page 2-34](#)

## Information About CFS

You can use CFS to distribute and synchronize a configuration on one Cisco device or with all other Cisco devices in your network. CFS provides you with consistent and, in most cases, identical configurations and behavior in your network.

This section includes the following topics:

- [Applications that Use CFS to Distribute Configuration Changes, page 2-2](#)
- [CFS Distribution, page 2-2](#)
- [CFS Connectivity in a Mixed Fabric, page 2-3](#)
- [CFS Merge Support, page 2-4](#)
- [Locking the Network, page 2-4](#)
- [CFS Regions, page 2-4](#)
- [High Availability, page 2-5](#)
- [Virtualization Support, page 2-5](#)

***Send document comments to [nexus7k-docfeedback@cisco.com](mailto:nexus7k-docfeedback@cisco.com).***

## Applications that Use CFS to Distribute Configuration Changes

CFS distributes configuration changes for the applications shown in [Table 2-1](#).

**Table 2-1** CFS-Supported Applications

Application	Default State
Call Home	Disabled
Device alias	Enabled
DPVM	Enabled
FC domain	Disabled
FC port security	Disabled
FC timer	Disabled
IVR	Disabled
NTP	Disabled
RADIUS	Disabled
RSCN	Disabled
TACACS+	Disabled
User roles	Disabled

## CFS Distribution

CFS distributes configuration changes to multiple devices across a complete network. CFS supports the following types of distribution:

- CFS over Ethernet (CFS<sub>oE</sub>)—Distributes application data over an Ethernet network.
- CFS over IP (CFS<sub>oIP</sub>)—Distributes application data over an IPv4 network.
- CFS over Fibre Channel (CFS<sub>oFC</sub>)—Distributes application data over a Fibre Channel, such as a virtual storage area network (VSAN). If the device is provisioned with Fibre Channel ports, CFS<sub>oFC</sub> is enabled by default.

Beginning with Cisco NX-OS Release 5.2, you can configure Fibre Channel over Ethernet (FCoE), which allows Fibre Channel traffic to be encapsulated over a physical Ethernet link. To run FCoE on a Cisco Nexus 7000 Series switch, you must configure a dedicated storage virtual device context (VDC). If FCoE is enabled on the device, CFS<sub>oFC</sub> services can be used. The applications that require CFS distribution to be enabled in the storage VDC are noted in the configuration instructions throughout this chapter. For more information on FCoE and storage VDCs, see the *Cisco NX-OS FCoE Configuration Guide for Cisco Nexus 7000 and Cisco MDS 9500* and the *Cisco Nexus 7000 Series NX-OS Virtual Device Context Configuration Guide, Release 5.x*.



### Note

All of the information in this chapter applies to both CFS<sub>oIP</sub> and CFS<sub>oFC</sub>, unless otherwise noted.

***Send document comments to [nexus7k-docfeedback@cisco.com](mailto:nexus7k-docfeedback@cisco.com).***

## CFS Distribution Modes

CFS supports three distribution modes to accommodate different feature requirements. Only one mode is allowed at a given time.

- Uncoordinated distributions—Distribute information that is not expected to conflict with that from a peer. Parallel uncoordinated distributions are allowed for an application.
- Coordinated distributions—Distribute information that can be manipulated and distributed from multiple devices (for example, the port security configuration). Coordinated distributions allow only one application distribution at a given time. CFS uses locks to enforce this. A coordinated distribution is not allowed to start if locks are acquired for the application anywhere in the network. A coordinated distribution consists of three stages:
  - A network lock is acquired.
  - The configuration is distributed and committed.
  - The network lock is released.

CFS can execute these stages in response to an application request without intervention from the application or under complete control of the application.

- Unrestricted uncoordinated distributions—Allow multiple parallel distributions in the network in the presence of an existing coordinated distribution. Unrestricted uncoordinated distributions are allowed to run in parallel with all other types of distributions.

## CFS Connectivity in a Mixed Fabric

CFS is an infrastructure component that also runs on the Cisco Nexus 5000 Series switches and the Cisco MDS 9000 switches. A mixed fabric of different platforms (such as the Cisco Nexus 7000 Series, Cisco Nexus 5000 Series, and Cisco MDS 9000 switches) can interact with each other.

Using CFS over IP and CFS over FC, the respective CFS clients can also talk to their instances running on the other platforms. Within a defined domain and distribution scope, CFS can distribute the client's data and configuration to its peers running on other platforms.

All three platforms support both CFS over IP and CFS over FC. However, the Cisco Nexus 7000 Series and Cisco Nexus 5000 Series switches require an FC or FCoE plugin and corresponding configuration in order for CFS over FC to operate. Both options are available by default on the Cisco MDS 9000 switches.



### Note

Some applications are not compatible with their instances running on different platforms. Therefore, Cisco recommends that you carefully read the client guidelines for CFS distribution before committing the configuration.

For more information on CFS for the Cisco Nexus 5000 Series and Cisco MDS 9000 switches, see the *Cisco Nexus 5000 Series NX-OS System Management Configuration Guide* and the *Cisco MDS 9000 Family NX-OS System Management Configuration Guide*, respectively.

***Send document comments to [nexus7k-docfeedback@cisco.com](mailto:nexus7k-docfeedback@cisco.com).***

## CFS Merge Support

An application keeps the configuration synchronized in the fabric through CFS. When two such fabrics become reachable to one another, CFS triggers a merge. These two fabrics could have two different sets of configuration information that need to be reconciled in the event of a merge. CFS provides notification each time an application peer comes online. If a fabric with M application peers merges with another fabric with N application peers and if an application triggers a merge action on every notification, a link-up event results in MxN merges in the fabric.

CFS supports a protocol that reduces the number of merges required to one by handling the complexity of the merge at the CFS layer. This protocol runs per application per scope. The protocol involves selecting one device in a fabric as the merge manager for that fabric. The other devices do not have a role in the merge process.

During a merger of two networks, their designated managers exchange configuration databases. The application on one of them merges the databases, decides if the merge is successful, and notifies all other devices.

In the merge is successful, the merged database is distributed to all devices in the combined fabric, and the entire new fabric remains in a consistent state.

## Locking the Network

When you configure an application that uses the CFS infrastructure, that application starts a CFS session and locks the network. When a network is locked, the device software allows configuration changes to this application only from the device holding the lock. If you make configuration changes to the application from another device, the device issues a message to inform the user about the locked status. The configuration changes are held in a pending database by that application.

If you start a CFS session that requires a network lock but forget to end the session, an administrator can clear the session. If you lock a network at any time, your user name is remembered across restarts and switchovers. If another user (on the same machine) tries to perform configuration tasks, that user's attempts are rejected.

## CFS Regions

A CFS region is a user-defined subset of devices for a given feature or application. You usually define regions to localize or restrict distribution based on devices that are close to one another. When a network covers many geographies with many different administrators who are responsible for subsets of devices, you can manage the scope of an application by setting up a CFS region.

CFS regions are identified by numbers ranging from 0 through 200. Region 0 is reserved as the default region and contains every device in the network. You can configure regions from 1 through 200.



### Note

If an application is moved (that is, assigned to a new region), its scope is restricted to that region, and it ignores all other regions for distribution or merging purposes. The assignment of the region to an application has precedence in distribution over its initial scope.

You can configure a CFS region to distribute configurations for multiple applications. However, on a given device, you can configure only one CFS region at a time to distribute the configuration for a given application. Once you assign an application to a CFS region, its configuration cannot be distributed within another CFS region.



***Send document comments to [nexus7k-docfeedback@cisco.com](mailto:nexus7k-docfeedback@cisco.com).***

## High Availability

Stateless restarts are supported for CFS. After a reboot or a supervisor switchover, the running configuration is applied. For more information on high availability, see the *Cisco Nexus 7000 Series NX-OS High Availability and Redundancy Guide, Release 5.x*.

## Virtualization Support

CFS is configured per VDC. When you access Cisco NX-OS, it places you in the default VDC unless you specify a different VDC. For more information on VDCs, see the *Cisco Nexus 7000 Series NX-OS Virtual Device Context Configuration Guide, Release 5.x*.

## Licensing Requirements for CFS

Product	License Requirement
Cisco NX-OS	CFS requires no license. Any feature not included in a license package is bundled with the Cisco NX-OS system images and is provided at no extra charge to you. For a complete explanation of the Cisco NX-OS licensing scheme, see the <i>Cisco NX-OS Licensing Guide</i> .

## Prerequisites for CFS

CFS has the following prerequisites:

- CFS is enabled by default. All devices in the fabric must have CFS enabled, or they do not receive distributions.
- If CFS is disabled for an application, that application does not distribute any configuration, and it does not accept a distribution from other devices in the fabric.

## Guidelines and Limitations

CFS has the following configuration guidelines and limitations:

- If the virtual port channel (vPC) feature is enabled for your device, do not disable CFSoE.



**Note** CFSoE must be enabled for the vPC feature to work.

- All CFSoIP-enabled devices with similar multicast addresses form one CFSoIP fabric.
- Make sure that CFS is enabled for the applications that you want to configure. For detailed information, see the [“Enabling CFS Distribution for Applications” procedure on page 2-7](#).
- Anytime you lock a fabric, your username is remembered across restarts and switchovers.
- Anytime you lock a fabric, configuration changes attempted by anyone else are rejected.

## Send document comments to [nexus7k-docfeedback@cisco.com](mailto:nexus7k-docfeedback@cisco.com).

- While a fabric is locked, the application holds a working copy of configuration changes in a pending database or temporary storage area—not in the running configuration.
- Configuration changes that have not been committed yet (still saved as a working copy) are not in the running configuration and do not display in the output of **show** commands.
- If you start a CFS session that requires a fabric lock but forget to end the session, an administrator can clear the session. For more information, see the [“Clearing a Locked Session” procedure on page 2-29](#).
- An empty commit is allowed if configuration changes are not previously made. In this case, the **commit** command results in a session that acquires locks and distributes the current database.
- You can only use the **commit** command on the specific device where the fabric lock was acquired.
- CFSoIP and CFSoE are not supported for use together.
- CFS regions can be applied only to CFSoIP and CFSoFC applications.
- You cannot distribute the user role configuration between a Cisco MDS 9500 Series switch and the storage VDC configured for a Cisco Nexus 7000 Series switch. To prevent this distribution, make sure to assign the user role configuration in Cisco MDS and the Cisco Nexus 7000 storage VDC to different CFS regions.

## Default Settings

Table 2-2 lists the default settings for CFS parameters.

**Table 2-2**      **Default CFS Parameters**

Parameters	Default
CFS distribution on the device	Enabled
CFSoIP	Disabled
IPv4 multicast address	239.255.70.83
CFSoFC	Enabled, if FCoE is present
CFSoE	Disabled

## Configuring CFS Distribution

This section describes how to configure CFS and includes the following topics:

- [Enabling CFS Distribution for Applications, page 2-7](#)
- [Specifying a CFS Distribution Mode, page 2-19](#)
- [Configuring an IP Multicast Address for CFSoIP, page 2-20](#)
- [Configuring CFS Regions, page 2-22](#)
- [Creating and Distributing a CFS Configuration, page 2-27](#)
- [Clearing a Locked Session, page 2-29](#)
- [Discarding a Configuration, page 2-30](#)
- [Disabling CFS Distribution Globally, page 2-31](#)

***Send document comments to [nexus7k-docfeedback@cisco.com](mailto:nexus7k-docfeedback@cisco.com).***

## Enabling CFS Distribution for Applications

This section includes the following topics:

- [Enabling CFS to Distribute Call Home Configurations, page 2-7](#)
- [Enabling CFS to Distribute Device Alias Configurations, page 2-8](#)
- [Enabling CFS to Distribute DPVM Configurations, page 2-9](#)
- [Enabling CFS to Distribute FC Domain Configurations, page 2-10](#)
- [Enabling CFS to Distribute FC Port Security Configurations, page 2-11](#)
- [Enabling CFS to Distribute FC Timer Configurations, page 2-12](#)
- [Enabling CFS to Distribute IVR Configurations, page 2-13](#)
- [Enabling CFS to Distribute NTP Configurations, page 2-14](#)
- [Enabling CFS to Distribute RADIUS Configurations, page 2-15](#)
- [Enabling CFS to Distribute RSCN Configurations, page 2-16](#)
- [Enabling CFS to Distribute TACACS+ Configurations, page 2-17](#)
- [Enabling CFS to Distribute User Role Configurations, page 2-18](#)



### Note

See [Chapter 7, “Configuring Smart Call Home”](#) for more information on Call Home, and see [Chapter 3, “Configuring NTP”](#) for more information on NTP. See the *Cisco Nexus 7000 Series NX-OS Security Configuration Guide, Release 5.x* for more information on CFS for RADIUS, TACACS+, and user roles. See the *Cisco Nexus 7000 Series NX-OS SAN Switching Configuration Guide* for more information on device alias, DPVM, FC domain, FC port security, FC timer, IVR, and RSCN.

## Enabling CFS to Distribute Call Home Configurations

You can enable CFS to distribute Call Home configurations to all Cisco NX-OS devices in the network. The entire Call Home configuration is distributed except the device priority and the sysContact names.

### BEFORE YOU BEGIN

Make sure that you are in the correct VDC. To change the VDC, use the **switchto vdc** command.

### SUMMARY STEPS

1. **config t**
2. **callhome**
3. **distribute**
4. (Optional) **show application-name status**
5. (Optional) **copy running-config startup-config**

**Send document comments to [nexus7k-docfeedback@cisco.com](mailto:nexus7k-docfeedback@cisco.com).**

## DETAILED STEPS

	Command	Purpose
Step 1	<b>config t</b>  <b>Example:</b> switch# config t Enter configuration commands, one per line. End with CNTL/Z. switch(config)#	Places you in global configuration mode.
Step 2	<b>callhome</b>  <b>Example:</b> switch(config)# callhome switch(config-callhome)#	Places you in callhome configuration mode.
Step 3	<b>distribute</b>  <b>Example:</b> switch(config-callhome)# distribute	Enables CFS to distribute Call Home configuration updates.
Step 4	<b>show application-name status</b>  <b>Example:</b> switch(config-callhome)# show callhome status	(Optional) For the specified application, displays the CFS distribution status.
Step 5	<b>copy running-config startup-config</b>  <b>Example:</b> switch(config-callhome)# copy running-config startup-config	(Optional) Saves the change persistently through reboots and restarts by copying the running configuration to the startup configuration.

This example shows how to enable CFS to distribute Call Home configurations:

```
switch(config)# callhome
switch(config-callhome)# distribute
switch(config-callhome)# show callhome status
Distribution : Enabled
switch(config-callhome)# copy running-config startup-config
[#####] 100%
```

## Enabling CFS to Distribute Device Alias Configurations

You can enable CFS to distribute device alias configurations in order to consistently administer and maintain the device alias database across all Cisco NX-OS devices in the fabric.

### BEFORE YOU BEGIN

Make sure that you are in the storage VDC. To change to the storage VDC, use the **switchto vdc fcoe** command.

### SUMMARY STEPS

1. **config t**
2. **device-alias distribute**

***Send document comments to [nexus7k-docfeedback@cisco.com](mailto:nexus7k-docfeedback@cisco.com).***

3. (Optional) **show cfs application**
4. (Optional) **copy running-config startup-config**

## DETAILED STEPS

	Command	Purpose
Step 1	<b>config t</b>  <b>Example:</b> switch# config t Enter configuration commands, one per line. End with CNTL/Z. switch(config)#	Places you in global configuration mode.
Step 2	<b>device-alias distribute</b>  <b>Example:</b> switch(config)# device-alias distribute	Enables CFS to distribute device alias configuration updates.
Step 3	<b>show cfs application</b>  <b>Example:</b> switch(config)# show cfs application	(Optional) Displays the CFS distribution status.
Step 4	<b>copy running-config startup-config</b>  <b>Example:</b> switch(config)# copy running-config startup-config	(Optional) Saves the change persistently through reboots and restarts by copying the running configuration to the startup configuration.

This example shows how to enable CFS to distribute device alias configurations:

```
switch(config)# device-alias distribute
switch(config)# show cfs application
-----
Application    Enabled    Scope
-----
device-alias   Yes        Physical-fc
switch(config)# copy running-config startup-config
[#####] 100%
```

## Enabling CFS to Distribute DPVM Configurations

You can enable CFS to distribute dynamic port VSAN membership (DPVM) configurations in order to consistently administer and maintain the DPVM database across all Cisco NX-OS devices in the fabric.

### BEFORE YOU BEGIN

Make sure that you are in the storage VDC. To change to the storage VDC, use the **switchto vdc fcoe** command.

Make sure that you enable the DPVM feature. To do so, use the **feature dpvm** command.

### SUMMARY STEPS

1. **config t**
2. **dpvm distribute**

## Send document comments to [nexus7k-docfeedback@cisco.com](mailto:nexus7k-docfeedback@cisco.com).

3. (Optional) **show application-name status**
4. (Optional) **copy running-config startup-config**

### DETAILED STEPS

	Command	Purpose
Step 1	<b>config t</b>  <b>Example:</b> switch# config t Enter configuration commands, one per line. End with CNTL/Z. switch(config)#	Places you in global configuration mode.
Step 2	<b>dpvm distribute</b>  <b>Example:</b> switch(config)# dpvm distribute	Enables CFS to distribute DPVM configuration updates.
Step 3	<b>show application-name status</b>  <b>Example:</b> switch(config)# show dpvm status	(Optional) For the specified application, displays the CFS distribution status.
Step 4	<b>copy running-config startup-config</b>  <b>Example:</b> switch(config)# copy running-config startup-config	(Optional) Saves the change persistently through reboots and restarts by copying the running configuration to the startup configuration.

This example shows how to enable CFS to distribute DPVM configurations:

```
switch(config)# dpvm distribute
switch(config)# show dpvm status
Distribution is enabled.
switch(config)# copy running-config startup-config
[#####] 100%
```

## Enabling CFS to Distribute FC Domain Configurations

You can enable CFS to distribute Fibre Channel (FC) domain configurations in order to synchronize the configuration across the fabric from the console of a single Cisco NX-OS device and to ensure consistency in the allowed domain ID lists on all devices in the VSAN.

### BEFORE YOU BEGIN

Make sure that you are in the storage VDC. To change to the storage VDC, use the **switchto vdc fcoe** command.

### SUMMARY STEPS

1. **config t**
2. **fcdomain distribute**
3. (Optional) **show application-name status**
4. (Optional) **copy running-config startup-config**

***Send document comments to [nexus7k-docfeedback@cisco.com](mailto:nexus7k-docfeedback@cisco.com).***

## DETAILED STEPS

	Command	Purpose
Step 1	<b>config t</b>  <b>Example:</b> switch# config t Enter configuration commands, one per line. End with CNTL/Z. switch(config)#	Places you in global configuration mode.
Step 2	<b>fcdomain distribute</b>  <b>Example:</b> switch(config)# fcdomain distribute	Enables CFS to distribute FC domain configuration updates.
Step 3	<b>show application-name status</b>  <b>Example:</b> switch(config)# show fcdomain status	(Optional) For the specified application, displays the CFS distribution status.
Step 4	<b>copy running-config startup-config</b>  <b>Example:</b> switch(config)# copy running-config startup-config	(Optional) Saves the change persistently through reboots and restarts by copying the running configuration to the startup configuration.

This example shows how to enable CFS to distribute FC domain configurations:

```
switch(config)# fcdomain distribute
switch(config)# show fcdomain status
fcdomain distribution is enabled
switch(config)# copy running-config startup-config
[#####] 100%
```

## Enabling CFS to Distribute FC Port Security Configurations

You can enable CFS to distribute Fibre Channel (FC) port security configurations in order to provide a single point of configuration for the entire fabric in the VSAN and to enforce the port security policies throughout the fabric.

### BEFORE YOU BEGIN

Make sure that you are in the storage VDC. To change to the storage VDC, use the **switchto vdc fcoe** command.

Make sure that you enable the FC port security feature. To do so, use the **feature fc-port-security** command.

### SUMMARY STEPS

1. **config t**
2. **fc-port-security distribute**
3. (Optional) **show cfs application**
4. (Optional) **copy running-config startup-config**

**Send document comments to [nexus7k-docfeedback@cisco.com](mailto:nexus7k-docfeedback@cisco.com).**

## DETAILED STEPS

	Command	Purpose
Step 1	<b>config t</b>  <b>Example:</b> switch# config t Enter configuration commands, one per line. End with CNTL/Z. switch(config)#	Places you in global configuration mode.
Step 2	<b>fc-port-security distribute</b>  <b>Example:</b> switch(config)# fc-port-security distribute	Enables CFS to distribute FC port security configuration updates.
Step 3	<b>show cfs application</b>  <b>Example:</b> switch(config)# show cfs application	(Optional) Displays the CFS distribution status.
Step 4	<b>copy running-config startup-config</b>  <b>Example:</b> switch(config)# copy running-config startup-config	(Optional) Saves the change persistently through reboots and restarts by copying the running configuration to the startup configuration.

This example shows how to enable CFS to distribute FC port security configurations:

```
switch(config)# fc-port-security distribute
switch(config)# show cfs application
-----
Application    Enabled    Scope
-----
fc-port-securi Yes        Logical
switch(config)# copy running-config startup-config
[#####] 100%
```

## Enabling CFS to Distribute FC Timer Configurations

You can enable CFS to distribute Fibre Channel (FC) timer configurations for all Cisco NX-OS devices in the fabric.

### BEFORE YOU BEGIN

Make sure that you are in the storage VDC. To change to the storage VDC, use the **switchto vdc fcoe** command.

### SUMMARY STEPS

1. **config t**
2. **ftimer distribute**
3. (Optional) **show application-name status**
4. (Optional) **copy running-config startup-config**



***Send document comments to [nexus7k-docfeedback@cisco.com](mailto:nexus7k-docfeedback@cisco.com).***

## DETAILED STEPS

	Command	Purpose
Step 1	<b>config t</b>  <b>Example:</b> switch# config t Enter configuration commands, one per line. End with CNTL/Z. switch(config)#	Places you in global configuration mode.
Step 2	<b>fctimer distribute</b>  <b>Example:</b> switch(config)# fctimer distribute	Enables CFS to distribute FC timer configuration updates.
Step 3	<b>show application-name status</b>  <b>Example:</b> switch(config)# show fctimer status	(Optional) For the specified application, displays the CFS distribution status.
Step 4	<b>copy running-config startup-config</b>  <b>Example:</b> switch(config)# copy running-config startup-config	(Optional) Saves the change persistently through reboots and restarts by copying the running configuration to the startup configuration.

This example shows how to enable CFS to distribute FC timer configurations:

```
switch(config)# fctimer distribute
switch(config)# show fctimer status
Distribution : Enabled
switch(config)# copy running-config startup-config
[#####] 100%
```

## Enabling CFS to Distribute IVR Configurations

You can enable CFS to distribute inter-VSAN routing (IVR) configurations in order to enable efficient IVR configuration management and to provide a single point of configuration for the entire fabric in the VSAN.

### BEFORE YOU BEGIN

Make sure that you are in the storage VDC. To change to the storage VDC, use the **switchto vdc fcoe** command.

Make sure that you install the Advanced SAN Services license.

Make sure that you enable the IVR feature. To do so, use the **feature ivr** command.

### SUMMARY STEPS

1. **config t**
2. **ivr distribute**
3. (Optional) **show cfs application**
4. (Optional) **copy running-config startup-config**

**Send document comments to [nexus7k-docfeedback@cisco.com](mailto:nexus7k-docfeedback@cisco.com).**

## DETAILED STEPS

	Command	Purpose
Step 1	<b>config t</b>  <b>Example:</b> switch# config t Enter configuration commands, one per line. End with CNTL/Z. switch(config)#	Places you in global configuration mode.
Step 2	<b>ivr distribute</b>  <b>Example:</b> switch(config)# ivr distribute	Enables CFS to distribute IVR configuration updates.  <b>Note</b> You must enable IVR distribution on all IVR-enabled switches in the fabric.
Step 3	<b>show cfs application</b>  <b>Example:</b> switch(config)# show cfs application	(Optional) Displays the CFS distribution status.
Step 4	<b>copy running-config startup-config</b>  <b>Example:</b> switch(config)# copy running-config startup-config	(Optional) Saves the change persistently through reboots and restarts by copying the running configuration to the startup configuration.

This example shows how to enable CFS to distribute IVR configurations:

```
switch(config)# ivr distribute
switch(config)# show cfs application

-----
Application    Enabled    Scope
-----
ivr            Yes        Physical-fc
switch(config)# copy running-config startup-config
[#####] 100%
```

## Enabling CFS to Distribute NTP Configurations

You can enable CFS to distribute NTP configurations to all Cisco NX-OS devices in the network.

### BEFORE YOU BEGIN

Make sure that you are in the correct VDC. To change the VDC, use the **switchto vdc** command.

Make sure that you enable the NTP feature. To enable NTP in a Cisco NX-OS Release prior to 5.2, use the **ntp enable** command. To enable NTP in Cisco NX-OS Release 5.2 or a later release, use the **feature ntp** command.

### SUMMARY STEPS

1. **config t**
2. **ntp distribute**
3. (Optional) **show application-name status**
4. (Optional) **copy running-config startup-config**

***Send document comments to [nexus7k-docfeedback@cisco.com](mailto:nexus7k-docfeedback@cisco.com).***

## DETAILED STEPS

	Command	Purpose
Step 1	<b>config t</b>  <b>Example:</b> switch# config t Enter configuration commands, one per line. End with CNTL/Z. switch(config)#	Places you in global configuration mode.
Step 2	<b>ntp distribute</b>  <b>Example:</b> switch(config)# ntp distribute	Enables CFS to distribute NTP configuration updates.
Step 3	<b>show application-name status</b>  <b>Example:</b> switch(config)# show ntp status	(Optional) For the specified application, displays the CFS distribution status.
Step 4	<b>copy running-config startup-config</b>  <b>Example:</b> switch(config)# copy running-config startup-config	(Optional) Saves the change persistently through reboots and restarts by copying the running configuration to the startup configuration.

This example shows how to enable CFS to distribute NTP configurations:

```
switch(config)# ntp distribute
switch(config)# show ntp status
Distribution : Enabled
switch(config)# copy running-config startup-config
[#####] 100%
```

## Enabling CFS to Distribute RADIUS Configurations

You can enable CFS to distribute RADIUS configurations to all Cisco NX-OS devices in the network.

### BEFORE YOU BEGIN

Make sure that you are in the correct VDC. To change the VDC, use the **switchto vdc** command.

### SUMMARY STEPS

1. **config t**
2. **radius distribute**
3. (Optional) **show application-name status**
4. (Optional) **copy running-config startup-config**

***Send document comments to [nexus7k-docfeedback@cisco.com](mailto:nexus7k-docfeedback@cisco.com).***

## DETAILED STEPS

	Command	Purpose
Step 1	<b>config t</b>  <b>Example:</b> switch# config t Enter configuration commands, one per line. End with CNTL/Z. switch(config)#	Places you in global configuration mode.
Step 2	<b>radius distribute</b>  <b>Example:</b> switch(config)# radius distribute	Enables CFS to distribute RADIUS configuration updates.
Step 3	<b>show application-name status</b>  <b>Example:</b> switch(config)# show radius status	(Optional) For the specified application, displays the CFS distribution status.
Step 4	<b>copy running-config startup-config</b>  <b>Example:</b> switch(config)# copy running-config startup-config	(Optional) Saves the change persistently through reboots and restarts by copying the running configuration to the startup configuration.

This example shows how to enable CFS to distribute RADIUS configurations:

```
switch(config)# radius distribute
switch(config)# show radius status
Distribution : Enabled
switch(config)# copy running-config startup-config
[#####] 100%
```

## Enabling CFS to Distribute RSCN Configurations

You can enable CFS to distribute registered state change notification (RSCN) configurations to all Cisco NX-OS devices in the fabric.

### BEFORE YOU BEGIN

Make sure that you are in the storage VDC. To change to the storage VDC, use the **switchto vdc fcoe** command.

### SUMMARY STEPS

1. **config t**
2. **rscn distribute**
3. (Optional) **show cfs application**
4. (Optional) **copy running-config startup-config**

***Send document comments to [nexus7k-docfeedback@cisco.com](mailto:nexus7k-docfeedback@cisco.com).***

## DETAILED STEPS

	Command	Purpose
Step 1	<b>config t</b>  <b>Example:</b> switch# config t Enter configuration commands, one per line. End with CNTL/Z. switch(config)#	Places you in global configuration mode.
Step 2	<b>rscn distribute</b>  <b>Example:</b> switch(config)# rscn distribute	Enables CFS to distribute RSCN configuration updates.
Step 3	<b>show cfs application</b>  <b>Example:</b> switch(config)# show cfs application	(Optional) Displays the CFS distribution status.
Step 4	<b>copy running-config startup-config</b>  <b>Example:</b> switch(config)# copy running-config startup-config	(Optional) Saves the change persistently through reboots and restarts by copying the running configuration to the startup configuration.

This example shows how to enable CFS to distribute RSCN configurations:

```
switch(config)# rscn distribute
switch(config)# show cfs application

-----
Application    Enabled    Scope
-----
rscn           Yes        Logical
switch(config)# copy running-config startup-config
[#####] 100%
```

## Enabling CFS to Distribute TACACS+ Configurations

You can enable CFS to distribute TACACS+ configurations to all Cisco NX-OS devices in the network.

### BEFORE YOU BEGIN

Make sure that you are in the correct VDC. To change the VDC, use the **switchto vdc** command.

Make sure that you enable the TACACS+ feature. To do so, use the **feature tacacs+** command.

### SUMMARY STEPS

1. **config t**
2. **tacacs+ distribute**
3. (Optional) **show application-name status**
4. (Optional) **copy running-config startup-config**

**Send document comments to [nexus7k-docfeedback@cisco.com](mailto:nexus7k-docfeedback@cisco.com).**

## DETAILED STEPS

	Command	Purpose
Step 1	<b>config t</b>  <b>Example:</b> switch# config t Enter configuration commands, one per line. End with CNTL/Z. switch(config)#	Places you in global configuration mode.
Step 2	<b>tacacs+ distribute</b>  <b>Example:</b> switch(config)# tacacs+ distribute	Enables CFS to distribute configuration updates for TACACS+.
Step 3	<b>show application-name status</b>  <b>Example:</b> switch(config)# show tacacs+ status	(Optional) For the specified application, displays the CFS distribution status.
Step 4	<b>copy running-config startup-config</b>  <b>Example:</b> switch(config)# copy running-config startup-config	(Optional) Saves the change persistently through reboots and restarts by copying the running configuration to the startup configuration.

This example shows how to enable CFS to distribute TACACS+ configurations:

```
switch(config)# tacacs+ distribute
switch(config)# show tacacs+ status
Distribution : Enabled
Last operational state: No session
switch(config)# copy running-config startup-config
[#####] 100%
```

## Enabling CFS to Distribute User Role Configurations

You can enable CFS to distribute user role configurations to all Cisco NX-OS devices in the network.

### BEFORE YOU BEGIN

Make sure that you are in the correct VDC. To change the VDC, use the **switchto vdc** command.

### SUMMARY STEPS

1. **config t**
2. **role distribute**
3. (Optional) **show application-name status**
4. (Optional) **copy running-config startup-config**

***Send document comments to [nexus7k-docfeedback@cisco.com](mailto:nexus7k-docfeedback@cisco.com).***

## DETAILED STEPS

	Command	Purpose
Step 1	<b>config t</b>  <b>Example:</b> switch# config t Enter configuration commands, one per line. End with CNTL/Z. switch(config)#	Places you in global configuration mode.
Step 2	<b>role distribute</b>  <b>Example:</b> switch(config)# role distribute	Enables CFS to distribute role configurations.
Step 3	<b>show application-name status</b>  <b>Example:</b> switch(config)# show role status	(Optional) For the specified application, displays the CFS distribution status.
Step 4	<b>copy running-config startup-config</b>  <b>Example:</b> switch(config)# copy running-config startup-config	(Optional) Saves the change persistently through reboots and restarts by copying the running configuration to the startup configuration.

This example shows how to enable CFS to distribute role configurations:

```
switch(config)# role distribute
switch(config)# show role status
Distribution : Enabled
switch(config)# copy running-config startup-config
[#####] 100%
```

## Specifying a CFS Distribution Mode

You can specify and enable a CFS distribution mode (Ethernet or IPv4).

### BEFORE YOU BEGIN

Make sure that you are in the correct VDC. To change the VDC, use the **switchto vdc** command.

### SUMMARY STEPS

1. **config t**
2. **cfs {eth | ipv4} distribute**
3. (Optional) **show cfs status**
4. (Optional) **copy running-config startup-config**

**Send document comments to [nexus7k-docfeedback@cisco.com](mailto:nexus7k-docfeedback@cisco.com).**

## DETAILED STEPS

	Command	Purpose
Step 1	<b>config t</b>  <b>Example:</b> switch# config t Enter configuration commands, one per line. End with CNTL/Z. switch(config)#	Places you in global configuration mode.
Step 2	<b>cfs {eth   ipv4} distribute</b>  <b>Example:</b> switch(config)# cfs ipv4 distribute	Globally enables CFS distribution over one of the following for all applications on the device. <ul style="list-style-type: none"> <li>• Ethernet</li> <li>• IPv4</li> </ul> In this example, CFS distribution is enabled over IPv4.
Step 3	<b>show cfs status</b>  <b>Example:</b> switch(config)# show cfs status	(Optional) Shows the current state of CFS including the distribution mode.  In this example, CFS is shown as being distributed over IPv4.
Step 4	<b>copy running-config startup-config</b>  <b>Example:</b> switch(config)# copy running-config startup-config	(Optional) Saves the change persistently through reboots and restarts by copying the running configuration to the startup configuration.

This example shows how to enable the Ethernet CFS distribution mode:

```
switch(config)# cfs eth distribute
switch(config)# show cfs status
Distribution : Enabled
Distribution over IP : Disabled
Distribution over Ethernet : Enabled
switch(config)# copy running-config startup-config
[#####] 100%
```

## Configuring an IP Multicast Address for CFSoIP

For CFS protocol-specific distributions, such as the keepalive mechanism for detecting network topology changes, use the IP multicast address to send and receive information.

You can configure the IP multicast address used to distribute CFSoIPv4. The default IPv4 multicast address is 239.255.70.83.

### BEFORE YOU BEGIN

Make sure that you are in the correct VDC. To change the VDC, use the **switchto vdc** command.

You must disable CFS IP distribution before changing the multicast address.



***Send document comments to [nexus7k-docfeedback@cisco.com](mailto:nexus7k-docfeedback@cisco.com).***

## SUMMARY STEPS

1. **config t**
2. **no cfs ipv4 distribute**
3. **cfs ipv4 mcast-address ip-address**
4. **cfs ipv4 distribute**
5. (Optional) **show cfs status**
6. (Optional) **copy running-config startup-config**

## DETAILED STEPS

	Command	Purpose
Step 1	<b>config t</b>  <b>Example:</b> switch# config t Enter configuration commands, one per line. End with CNTL/Z. switch(config)#	Places you in global configuration mode.
Step 2	<b>no cfs ipv4 distribute</b>  <b>Example:</b> switch(config)# no cfs ipv4 distribute This will prevent CFS from distributing over IPv4 network. Are you sure? (y/n) [n] y	Globally disables CFSoIP distribution for all applications on the device.  <b>Note</b> CFSoIP must be disabled before you can change the multicast address.
Step 3	<b>cfs ipv4 mcast-address ip-address</b>  <b>Example:</b> switch(config)# cfs ipv4 mcast-address 239.255.1.1 Distribution over this IP type will be affected Change multicast address for CFS-IP ? Are you sure? (y/n) [n] y	Configures the multicast address for CFS distribution over IPv4. The ranges of valid IPv4 addresses are 239.255.0.0 through 239.255.255.255 and 239.192/16 through 239.251/16. The default IPv4 address is 239.255.70.83.
Step 4	<b>cfs ipv4 distribute</b>  <b>Example:</b> switch(config)# cfs ipv4 distribute	Globally enables CFSoIP distribution for all applications on the device.
Step 5	<b>show cfs status</b>  <b>Example:</b> switch(config)# show cfs status	(Optional) Shows the current state of CFS including whether it is enabled, its IP mode, and its multicast addresses.  In this example, CFS is shown as being distributed over IPv4 on 239.255.1.1.
Step 6	<b>copy running-config startup-config</b>  <b>Example:</b> switch(config)# copy running-config startup-config	(Optional) Saves the change persistently through reboots and restarts by copying the running configuration to the startup configuration.

***Send document comments to [nexus7k-docfeedback@cisco.com](mailto:nexus7k-docfeedback@cisco.com).***

This example shows how to configure the IP multicast address used to distribute CFS over IP for IPv4:

```
switch(config)# no cfs ipv4 distribute
switch(config)# cfs ipv4 mcast-address 239.255.1.1
switch(config)# cfs ipv4 distribute
switch(config)# show cfs status
Distribution : Enabled
Distribution over IP : Enabled - mode IPv4
IPv4 multicast address : 239.255.1.1
switch(config)# copy running-config startup-config
[#####] 100%
```

## Configuring CFS Regions

This section describes how to create and configure a CFS region and includes the following topics:

- [Creating a CFS Region, page 2-22](#)
- [Moving an Application to a Different Region, page 2-23](#)
- [Removing an Application from a Region, page 2-25](#)
- [Deleting a CFS Region, page 2-26](#)

## Creating a CFS Region

You can create a CFS region and add an application, such as Call Home, to it.

### BEFORE YOU BEGIN

Make sure that you are in the correct VDC. To change the VDC, use the **switchto vdc** command.

### SUMMARY STEPS

1. **config t**
2. **cfs region** *region-number*
3. *application-name*
4. (Optional) **show cfs regions brief**
5. (Optional) **copy running-config startup-config**

***Send document comments to [nexus7k-docfeedback@cisco.com](mailto:nexus7k-docfeedback@cisco.com).***

## DETAILED STEPS

	Command	Purpose
Step 1	<b>config t</b>  <b>Example:</b> switch# config t Enter configuration commands, one per line. End with CNTL/Z. switch(config)#	Places you in global configuration mode.
Step 2	<b>cfs region <i>region-number</i></b>  <b>Example:</b> switch(config)# cfs region 4 switch(config-cfs-region)#	Creates the region and places you into configuration mode for the specified region.  In this example, region 4 is created.
Step 3	<b><i>application-name</i></b>  <b>Example:</b> switch(config-cfs-region)# callhome	For the specified region, adds the named application.
Step 4	<b>show cfs regions brief</b>  <b>Example:</b> switch(config-cfs-region)# show cfs regions brief  ----- Region            Application    Enabled ----- 4            callhome        yes	(Optional) Shows all configured regions and applications but does not show peers.  In this example, the Call Home application is shown in region 4.
Step 5	<b>copy running-config startup-config</b>  <b>Example:</b> switch(config)# copy running-config startup-config	(Optional) Saves the change persistently through reboots and restarts by copying the running configuration to the startup configuration.

## Moving an Application to a Different Region

You can move an application to a different region. For example, you can move NTP from region 1 to region 2.



### Note

When an application is moved, its scope is restricted to the new region. It ignores all other regions for distribution or merging purposes.

## BEFORE YOU BEGIN

Make sure that you are in the correct VDC. To change the VDC, use the **switchto vdc** command.

## SUMMARY STEPS

1. **config t**
2. **cfs region *region-number***
3. ***application-name***

## Send document comments to [nexus7k-docfeedback@cisco.com](mailto:nexus7k-docfeedback@cisco.com).

4. (Optional) **show cfs regions name** *application-name*
5. (Optional) **copy running-config startup-config**

### DETAILED STEPS

	Command	Purpose
Step 1	<b>config t</b>  <b>Example:</b> switch# config t Enter configuration commands, one per line. End with CNTL/Z. switch(config)#	Places you in global configuration mode.
Step 2	<b>cfs region</b> <i>region-number</i>  <b>Example:</b> switch(config)# cfs region 2 switch(config-cfs-region)#	Places you in the configuration mode for the target/destination region.
Step 3	<i>application-name</i>  <b>Example:</b> switch(config-cfs-region)# callhome switch(config-cfs-region)# radius	Specifies applications to be moved.  In this example, the Call Home and RADIUS applications are moved to region 2.
Step 4	<b>show cfs regions name</b> <i>application-name</i>  <b>Example:</b> switch(config-cfs-region)# show cfs regions name callhome	(Optional) Displays peers and region information for a given application.
Step 5	<b>copy running-config startup-config</b>  <b>Example:</b> switch(config)# copy running-config startup-config	(Optional) Saves the change persistently through reboots and restarts by copying the running configuration to the startup configuration.

This example shows how to move the Call Home application to CFS region 2:

```
switch# config t
switch(config)# cfs region 2
switch(config-cfs-region)# callhome
switch(config-cfs-region)# show cfs regions name callhome

Region-ID : 2
Application: callhome
Scope : Physical-fc-ip
-----
Switch WWN          IP Address
-----
20:00:00:22:55:79:a4:c1 172.28.230.85          [Local]
                        switch

Total number of entries = 1
```

***Send document comments to [nexus7k-docfeedback@cisco.com](mailto:nexus7k-docfeedback@cisco.com).***

## Removing an Application from a Region

You can remove an application from a region. Removing an application from a region is the same as moving the application back to the default region. The default region is usually region 0. This action brings the entire fabric into the scope of distribution for the application.

### BEFORE YOU BEGIN

Make sure that you are in the correct VDC. To change the VDC, use the **switchto vdc** command.

### SUMMARY STEPS

1. **config t**
2. **cfs region** *region-number*
3. **no** *application-name*
4. (Optional) Repeat Step 3 for each application that you want to remove from this region.
5. (Optional) **show cfs regions brief**
6. (Optional) **copy running-config startup-config**

### DETAILED STEPS

	Command	Purpose
Step 1	<b>config t</b>  <b>Example:</b> switch# config t Enter configuration commands, one per line. End with CNTL/Z. switch(config)#	Places you in global configuration mode.
Step 2	<b>cfs region</b> <i>region-number</i>  <b>Example:</b> switch(config)# cfs region 2 switch(config-cfs-region)#	Places you in the configuration mode for the specified region.
Step 3	<b>no</b> <i>application-name</i>  <b>Example:</b> switch(config-cfs-region)# no ntp	Removes the specified application from the region.
Step 4	(Optional) Repeat Step 3 for each application that you want to remove from this region.	—

**Send document comments to [nexus7k-docfeedback@cisco.com](mailto:nexus7k-docfeedback@cisco.com).**

	Command	Purpose
Step 5	<b>show cfs regions brief</b>  <b>Example:</b> <pre>switch(config-cfs-region)# show cfs regions brief</pre> <pre>----- Region      Application  Enabled ----- 4           tacacs+     yes 6           radius      yes</pre>	(Optional) Shows all configured regions and applications but does not show peers.
Step 6	<b>copy running-config startup-config</b>  <b>Example:</b> <pre>switch(config)# copy running-config startup-config</pre>	(Optional) Saves the change persistently through reboots and restarts by copying the running configuration to the startup configuration.

## Deleting a CFS Region

You can delete a region and move all included applications back to the default region.

### BEFORE YOU BEGIN

Make sure that you are in the correct VDC. To change the VDC, use the **switchto vdc** command.

### SUMMARY STEPS

1. **config t**
2. **no cfs region *region-number***
3. (Optional) **show cfs regions brief**
4. (Optional) **show cfs application name *application-name***
5. (Optional) **copy running-config startup-config**

### DETAILED STEPS

	Command	Purpose
Step 1	<b>config t</b>  <b>Example:</b> <pre>switch# config t Enter configuration commands, one per line. End with CNTL/Z. switch(config)#</pre>	Places you in global configuration mode.
Step 2	<b>no cfs region <i>region-number</i></b>  <b>Example:</b> <pre>switch(config)# no cfs region 4 WARNING: All applications in the region will be moved to default region. Are you sure? (y/n) [n]</pre>	<p>Deletes the specified region after warning that this action causes all applications in the region to move to the default region.</p> <p>After deleting the region, you are returned to the global configuration mode.</p>

**Send document comments to [nexus7k-docfeedback@cisco.com](mailto:nexus7k-docfeedback@cisco.com).**

	Command	Purpose
Step 3	<p><b>show cfs regions brief</b></p> <p><b>Example:</b>  <pre>switch(config)# show cfs regions brief</pre> <pre>-----</pre> <pre>Region          Application    Enabled</pre> <pre>-----</pre> <pre>6                radius         no</pre> </p>	<p>(Optional) Shows all configured regions and applications but does not show peers.</p> <p>In this example, region 4 is absent.</p>
Step 4	<p><b>show cfs application name</b> <i>application-name</i></p> <p><b>Example:</b>  <pre>switch(config)# show cfs application name callhome</pre> <pre>Enabled          : Yes</pre> <pre>Timeout          : 20s</pre> <pre>Merge Capable   : Yes</pre> <pre>Scope           : Physical-fc-ip</pre> <pre>Region          : Default</pre> </p>	<p>(Optional) Shows local application information by name.</p> <p>In this case, the Call Home application is shown as now belonging to the default region.</p>
Step 5	<p><b>copy running-config startup-config</b></p> <p><b>Example:</b>  <pre>switch(config)# copy running-config startup-config</pre> </p>	<p>(Optional) Saves the change persistently through reboots and restarts by copying the running configuration to the startup configuration.</p>

## Creating and Distributing a CFS Configuration

You can create a configuration change for an application and then distribute it to its application peers.



### Caution

If you do not commit the changes, they are not distributed and saved in the running configuration of application peer devices.



### Caution

If you do not save the changes to the startup configuration in every application peer device where distributed, then changes are retained only in their running configurations.

## BEFORE YOU BEGIN

Make sure that you are in the correct VDC. To change the VDC, use the **switchto vdc** command.

## SUMMARY STEPS

1. **config t**
2. *application-name*
3. *application-command*
4. (Optional) Repeat Step 3 for each configuration command that you want to make.
5. (Optional) **show application-name status**

**Send document comments to [nexus7k-docfeedback@cisco.com](mailto:nexus7k-docfeedback@cisco.com).**

6. **commit**
7. (Optional) **copy running-config startup-config**

**DETAILED STEPS**

	<b>Command</b>	<b>Purpose</b>
<b>Step 1</b>	<b>config t</b>  <b>Example:</b> <pre>switch# config t Enter configuration commands, one per line. End with CNTL/Z. switch(config)#</pre>	Places you in global configuration mode.
<b>Step 2</b>	<i>application-name</i>  <b>Example:</b> <pre>switch(config)# callhome switch(config-callhome)#</pre>	Specifies that CFS starts a session for the specified application name and locks the fabric.
<b>Step 3</b>	<i>application-command</i>  <b>Example:</b> <pre>switch(config-callhome)# email-contact admin@Mycompany.com</pre>	Specifies that configuration changes are saved as a working copy and are not saved in the running configuration until you enter the <b>commit</b> command.
<b>Step 4</b>	(Optional) Repeat Step 3 for each configuration command that you want to make.	—
<b>Step 5</b>	<b>show application-name status</b>  <b>Example:</b> <pre>switch(config-callhome)# show callhome status Distribution : Enabled</pre>	(Optional) For the specified application, displays the CFS distribution status.  In this example, the output shows that distribution is enabled for Call Home.
<b>Step 6</b>	<b>commit</b>  <b>Example:</b> <pre>switch(config-callhome)# commit</pre>	CFS distributes the configuration changes to the running configuration of every application peer device.  If one or more external devices report a successful status, the software overwrites the running configuration with the changes from the CFS working copy and releases the fabric lock.  If none of the external devices report a successful status, no changes are made, and the fabric lock remains in place.
<b>Step 7</b>	<b>copy running-config startup-config</b>  <b>Example:</b> <pre>switch(config)# copy running-config startup-config</pre>	(Optional) Saves the change persistently through reboots and restarts by copying the running configuration to the startup configuration in all devices in the fabric.



***Send document comments to [nexus7k-docfeedback@cisco.com](mailto:nexus7k-docfeedback@cisco.com).***

This example shows how to configure and distribute the contact information for Call Home:

```
switch# config t
Enter configuration commands, one per line. End with CNTL/Z.
switch(config)# snmp-server contact personname@companyname.com
switch(config)# callhome
switch(config-callhome)# email-contact admin@Mycompany.com
switch(config-callhome)# phone-contact +1-800-123-4567
switch(config-callhome)# street-address 123 Anystreet st. Anytown,AnyWhere
switch(config-callhome)# commit
switch(config-callhome)# copy running-config startup-config
[#####] 100%
```

## Clearing a Locked Session

You can clear a lock held by an application from any device in the fabric.

You must have administrator permissions to release a lock.



### Caution

When you clear a lock in the fabric, any pending configurations in any device in the fabric are discarded.

### BEFORE YOU BEGIN

Make sure that you are in the correct VDC. To change the VDC, use the **switchto vdc** command.

### SUMMARY STEPS

1. (Optional) **show application-name status**
2. **clear application-name session**
3. (Optional) **show application-name status**

### DETAILED STEPS

	Command	Purpose
Step 1	<b>show application-name status</b>  switch(config)# show ntp status Distribution : Enabled Last operational state: Fabric Locked	(Optional) Shows the current application state.  In this example, NTP is shown as locked.
Step 2	<b>clear application-name session</b>  <b>Example:</b> switch(config)# clear ntp session	Clears the application configuration session and releases the lock on the fabric.  All pending changes are discarded.
Step 3	<b>show application-name status</b>  <b>Example:</b> switch(config)# show ntp status Distribution : Enabled Last operational state: No session	(Optional) Shows the current application state.  This example shows that the lock is removed from the NTP application.

**Send document comments to [nexus7k-docfeedback@cisco.com](mailto:nexus7k-docfeedback@cisco.com).**

## Discarding a Configuration

You can discard configuration changes and release the lock.



### Caution

If you discard configuration changes, the application flushes the pending database and releases locks in the fabric.

### BEFORE YOU BEGIN

Make sure that you are in the correct VDC. To change the VDC, use the **switchto vdc** command.

### SUMMARY STEPS

1. **config t**
1. *application-name* **abort**
2. (Optional) **show application-name session status**

### DETAILED STEPS

	Command	Purpose
Step 1	<b>config t</b>  <b>Example:</b> switch# config t Enter configuration commands, one per line. End with CNTL/Z. switch(config)#	Places you in global configuration mode.
Step 2	<i>application-name</i> <b>abort</b> y  <b>Example:</b> switch(config)# ntp abort This will prevent CFS from distributing the configuration to other switches. Are you sure? (y/n) [n] y	Aborts the application configuration after requesting confirmation.  In this case, the NTP configuration is aborted, the changes to the configuration are discarded, the CFS session is closed, and the fabric lock is released.  <b>Note</b> The <b>abort</b> command is supported only on the device where the fabric lock is acquired.
Step 3	<b>show application-name session status</b>  <b>Example:</b> switch(config)# show ntp session status Last Action Time Stamp : Wed Nov 12 16:07:25 2010 Last Action : Abort Last Action Result : Success Last Action Failure Reason : none	(Optional) For the specified application, displays the CFS session status.  In this example, the output shows that the CFS session was aborted.

***Send document comments to [nexus7k-docfeedback@cisco.com](mailto:nexus7k-docfeedback@cisco.com).***

## Disabling CFS Distribution Globally

You can disable CFS distribution for a device, isolating the applications using CFS from fabric-wide distributions while maintaining physical connectivity.

When CFS is globally disabled on a device, CFS operations are restricted to the device, and all CFS commands continue to function as if the device was physically isolated.

### BEFORE YOU BEGIN

Make sure that you are in the correct VDC. To change the VDC, use the **switchto vdc** command.

### SUMMARY STEPS

1. **config t**
2. **no cfs distribute**
3. (Optional) **show cfs status**
4. (Optional) **copy running-config startup-config**

### DETAILED STEPS

	Command	Purpose
Step 1	<b>config t</b>  <b>Example:</b> switch# config t Enter configuration commands, one per line. End with CNTL/Z. switch(config)#	Places you in global configuration mode.
Step 2	<b>no cfs distribute</b>  <b>Example:</b> switch(config)# no cfs distribute This will prevent CFS from distributing the configuration to other switches. Are you sure? (y/n) [n] y switch(config)#	Globally disables CFS distribution for all applications on the device.  <b>Note</b> If the virtual port channel (vPC) feature is enabled, then only IP distribution is disabled. You must first disable vPC before you can disable CFS distribution.
Step 3	<b>show cfs status</b>  <b>Example:</b> switch(config)# show cfs status Distribution : Enabled Distribution over IP : Disabled IPv4 multicast address : 239.255.70.83 Distribution over Ethernet : Disabled	(Optional) Displays the global CFS distribution status for the device.
Step 4	<b>copy running-config startup-config</b>  <b>Example:</b> switch(config)# copy running-config startup-config	(Optional) Saves the change persistently through reboots and restarts by copying the running configuration to the startup configuration.

**[Send document comments to nexus7k-docfeedback@cisco.com.](mailto:nexus7k-docfeedback@cisco.com)**

## Verifying the CFS Configuration

To display the CFS configuration information, perform one of the following tasks:

Command	Purpose
<b>show <i>application-name</i> session status</b>	Displays the configuration session status, including the last action, the result, and the reason if there was a failure.
<b>show <i>application-name</i> status</b>	For the specified application, displays the CFS distribution status.
<b>show cfs application</b>	Displays the applications that are currently CFS enabled.
<b>show cfs application name <i>application-name</i></b>	Displays the details for a particular application, including the enabled or disabled state, timeout as registered with CFS, merge capability if registered with CFS for merge support, distribution scope, and distribution region.
<b>show cfs internal</b>	Displays information internal to CFS including memory statistics, event history, and so on.
<b>show cfs lock</b>	Displays all active locks.
<b>show cfs merge status name <i>name</i> [detail]</b>	Displays the merge status for a given application.
<b>show cfs peers</b>	Displays all the peers in the physical fabric.
<b>show cfs regions</b>	Displays all the applications with peers and region information.
<b>show cfs status</b>	Displays the status of CFS distribution on the device as well as IP distribution information.
<b>show logging level cfs</b>	Displays the CFS logging configuration.
<b>show tech-support cfs</b>	Displays information about the CFS configuration required by technical support when resolving a CFS issue.

## Additional References

For additional information, see the following sections:

- [Related Documents, page 2-33](#)
- [MIBs, page 2-33](#)

**[Send document comments to nexus7k-docfeedback@cisco.com.](mailto:nexus7k-docfeedback@cisco.com)**

## Related Documents

Related Topic	Document Title
CFS CLI commands	<i>Cisco Nexus 7000 Series NX-OS System Management Command Reference</i> <i>Cisco Nexus 7000 Series NX-OS SAN Switching Command Reference</i>
CFS configuration for Call Home	<a href="#">Configuring Smart Call Home, page 7-1</a>
CFS configuration for device alias	<i>Cisco Nexus 7000 Series NX-OS SAN Switching Configuration Guide</i>
CFS configuration for DPVM	<i>Cisco Nexus 7000 Series NX-OS SAN Switching Configuration Guide</i>
CFS configuration for FC domain	<i>Cisco Nexus 7000 Series NX-OS SAN Switching Configuration Guide</i>
CFS configuration for FC port security	<i>Cisco Nexus 7000 Series NX-OS SAN Switching Configuration Guide</i>
CFS configuration for FC timer	<i>Cisco Nexus 7000 Series NX-OS SAN Switching Configuration Guide</i>
CFS configuration for IVR	<i>Cisco Nexus 7000 Series NX-OS SAN Switching Configuration Guide</i>
CFS configuration for NTP	<a href="#">Configuring NTP, page 3-1</a>
CFS configuration for RADIUS	<i>Cisco Nexus 7000 Series NX-OS Security Configuration Guide, Release 5.x</i>
CFS configuration for RSCN	<i>Cisco Nexus 7000 Series NX-OS SAN Switching Configuration Guide</i>
CFS configuration for TACACS+	<i>Cisco Nexus 7000 Series NX-OS Security Configuration Guide, Release 5.x</i>
CFS configuration for roles	<i>Cisco Nexus 7000 Series NX-OS Security Configuration Guide, Release 5.x</i>
FCoE	<i>Cisco NX-OS FCoE Configuration Guide for Cisco Nexus 7000 and Cisco MDS 9500</i>
VDCs and VRFs	<i>Cisco Nexus 7000 Series NX-OS Virtual Device Context Configuration Guide, Release 5.x</i>

## MIBs

MIBs	MIBs Link
<ul style="list-style-type: none"> <li>CISCO-CFS-MIB</li> </ul>	<a href="#">Cisco NX-OS MIB Support</a>

***Send document comments to [nexus7k-docfeedback@cisco.com](mailto:nexus7k-docfeedback@cisco.com).***

## Feature History for CFS

This section provides the CFS release history.

Feature Name	Releases	Feature Information
CFS protocol	5.2(1)	Added CFS over Fibre Channel (CFS over FC) distribution support for device alias, DPVM, FC domain, FC port security, FC timer, IVR, and RSCN.
CFS protocol	5.1(1)	No change from Release 5.0.
CFS protocol	5.0(2)	No change from Release 4.2.
CFS protocol	4.2(1)	No change from Release 4.1.
CFS protocol	4.1(2)	This feature was introduced.



## CHAPTER 3

# Configuring NTP

---

This chapter describes how to configure the Network Time Protocol (NTP) on Cisco NX-OS devices.

This chapter includes the following sections:

- [Information About NTP, page 3-1](#)
- [Licensing Requirements for NTP, page 3-3](#)
- [Prerequisites for NTP, page 3-3](#)
- [Guidelines and Limitations, page 3-3](#)
- [Default Settings, page 3-4](#)
- [Configuring NTP, page 3-4](#)
- [Verifying the NTP Configuration, page 3-16](#)
- [Configuration Examples for NTP, page 3-17](#)
- [Additional References, page 3-18](#)
- [Feature History for NTP, page 3-19](#)

## Information About NTP

This section includes the following topics:

- [NTP Overview, page 3-1](#)
- [NTP as Time Server, page 3-2](#)
- [Distributing NTP Using CFS, page 3-2](#)
- [Clock Manager, page 3-2](#)
- [High Availability, page 3-3](#)
- [Virtualization Support, page 3-3](#)

## NTP Overview

The Network Time Protocol (NTP) synchronizes the time of day among a set of distributed time servers and clients so that you can correlate events when you receive system logs and other time-specific events from multiple network devices. NTP uses the User Datagram Protocol (UDP) as its transport protocol. All NTP communications use Coordinated Universal Time (UTC).

***Send document comments to [nexus7k-docfeedback@cisco.com](mailto:nexus7k-docfeedback@cisco.com).***

An NTP server usually receives its time from an authoritative time source, such as a radio clock or an atomic clock attached to a time server, and then distributes this time across the network. NTP is extremely efficient; no more than one packet per minute is necessary to synchronize two machines to within a millisecond of each other.

NTP uses a stratum to describe the distance between a network device and an authoritative time source:

- A stratum 1 time server is directly attached to an authoritative time source (such as a radio or atomic clock or a GPS time source).
- A stratum 2 NTP server receives its time through NTP from a stratum 1 time server.

Before synchronizing, NTP compares the time reported by several network devices and does not synchronize with one that is significantly different, even if it is a stratum 1. Because Cisco NX-OS cannot connect to a radio or atomic clock and act as a stratum 1 server, we recommend that you use the public NTP servers available on the Internet. If the network is isolated from the Internet, Cisco NX-OS allows you to configure the time as though it were synchronized through NTP, even though it was not.



**Note**

---

You can create NTP peer relationships to designate the time-serving hosts that you want your network device to consider synchronizing with and to keep accurate time if a server failure occurs.

---

The time kept on a device is a critical resource, so we strongly recommend that you use the security features of NTP to avoid the accidental or malicious setting of incorrect time. Two mechanisms are available: an access list-based restriction scheme and an encrypted authentication mechanism.

## NTP as Time Server

Beginning with Cisco NX-OS Release 5.2, the Cisco NX-OS device can use NTP to distribute time. Other devices can configure it as a time server. You can also configure the device to act as an authoritative NTP server, enabling it to distribute time even when it is not synchronized to an outside time source.

## Distributing NTP Using CFS

Cisco Fabric Services (CFS) distributes the local NTP configuration to all Cisco devices in the network. After enabling CFS on your device, a network-wide lock is applied to NTP whenever an NTP configuration is started. After making the NTP configuration changes, you can discard or commit them. In either case, the CFS lock is then released from the NTP application.

For more information about CFS, see the [“Configuring CFS” section on page 2-1](#).

## Clock Manager

Clocks are resources that need to be shared across different processes and across different VDCs. Multiple time synchronization protocols, such as NTP and Precision Time Protocol (PTP), might be running in the system, and multiple instances of the same protocol might be running in different VDCs.

Beginning with Cisco NX-OS Release 5.2, the clock manager allows you to specify the protocol and a VDC running that protocol to control the various clocks in the system. Once you specify the protocol and VDC, the system clock starts updating. For information on configuring the clock manager, see the *Cisco Nexus 7000 Series NX-OS Fundamentals Configuration Guide, Release 5.x*.



***Send document comments to [nexus7k-docfeedback@cisco.com](mailto:nexus7k-docfeedback@cisco.com).***

## High Availability

Stateless restarts are supported for NTP. After a reboot or a supervisor switchover, the running configuration is applied. For more information on high availability, see the *Cisco Nexus 7000 Series NX-OS High Availability and Redundancy Guide, Release 5.x*.

You can configure NTP peers to provide redundancy in case an NTP server fails.

## Virtualization Support

If you are running a Cisco NX-OS Release prior to 5.2, up to one instance of NTP is supported on the entire platform. You must configure NTP in the default virtual device context (VDC), and you are automatically placed in the default VDC unless you specify otherwise.

If you are running Cisco NX-OS Release 5.2 or later, multiple instances of NTP are supported, one instance per VDC. By default, Cisco NX-OS places you in the default VDC unless you specifically configure another VDC.

Only one VDC (the default VDC by default) synchronizes the system clock at any given time. The NTP daemon in all other VDCs acts only as an NTP server for the other devices. To change which VDC synchronizes the system clock, use the **clock protocol ntp vdc vdc-id** command.

NTP recognizes virtual routing and forwarding (VRF) instances. NTP uses the default VRF if you do not configure a specific VRF for the NTP server and NTP peer. See the *Cisco Nexus 7000 Series NX-OS Unicast Routing Configuration Guide, Release 5.x* for more information about VRFs.

For more information about VDCs, see the *Cisco Nexus 7000 Series NX-OS Virtual Device Context Configuration Guide, Release 5.x*.

## Licensing Requirements for NTP

Product	License Requirement
Cisco NX-OS	NTP requires no license. Any feature not included in a license package is bundled with the Cisco NX-OS system images and is provided at no extra charge to you. For a complete explanation of the Cisco NX-OS licensing scheme, see the <i>Cisco NX-OS Licensing Guide</i> .

## Prerequisites for NTP

NTP has the following prerequisites:

- To configure NTP, you must have connectivity to at least one server that is running NTP.
- To configure VDCs, you must install the Advanced Services license. See the *Cisco Nexus 7000 Series NX-OS Virtual Device Context Configuration Guide, Release 5.x*.

## Guidelines and Limitations

NTP has the following configuration guidelines and limitations:

## Send document comments to [nexus7k-docfeedback@cisco.com](mailto:nexus7k-docfeedback@cisco.com).

- NTP server functionality is supported starting in Cisco NX-OS Release 5.2.
- You should have a peer association with another device only when you are sure that your clock is reliable (which means that you are a client of a reliable NTP server).
- A peer configured alone takes on the role of a server and should be used as a backup. If you have two servers, you can configure several devices to point to one server and the remaining devices to point to the other server. You can then configure a peer association between these two servers to create a more reliable NTP configuration.
- If you have only one server, you should configure all the devices as clients to that server.
- You can configure up to 64 NTP entities (servers and peers).
- If CFS is disabled for NTP, then NTP does not distribute any configuration and does not accept a distribution from other devices in the network.
- After CFS distribution is enabled for NTP, the entry of an NTP configuration command locks the network for NTP configuration until a **commit** command is entered. During the lock, no changes can be made to the NTP configuration by any other device in the network except the device that initiated the lock.
- If you use CFS to distribute NTP, all devices in the network should have the same VRFs configured as you use for NTP.
- If you configure NTP in a VRF, ensure that the NTP server and peers can reach each other through the configured VRFs.
- You must manually distribute NTP authentication keys on the NTP server and Cisco NX-OS devices across the network.

## Default Settings

Table 3-1 lists the default settings for NTP parameters.

**Table 3-1** Default NTP Parameters

Parameters	Default
NTP	Enabled in all VDCs
NTP authentication	Disabled
NTP access	Enabled
NTP logging	Disabled

## Configuring NTP

This section includes the following topics:

- [Enabling or Disabling NTP, page 3-5](#)
- [Configuring the Device as an Authoritative NTP Server, page 3-6](#)
- [Configuring an NTP Server and Peer, page 3-7](#)
- [Configuring NTP Authentication, page 3-10](#)
- [Configuring NTP Access Restrictions, page 3-11](#)

## Send document comments to [nexus7k-docfeedback@cisco.com](mailto:nexus7k-docfeedback@cisco.com).

- [Configuring the NTP Source IP Address, page 3-13](#)
- [Configuring the NTP Source Interface, page 3-13](#)
- [Configuring NTP on a Secondary \(Non-Default\) VDC, page 3-13](#)
- [Configuring NTP Logging, page 3-14](#)
- [Enabling CFS Distribution for NTP, page 3-15](#)
- [Committing NTP Configuration Changes, page 3-16](#)
- [Discarding NTP Configuration Changes, page 3-17](#)
- [Releasing the CFS Session Lock, page 3-17](#)



### Note

Be aware that the Cisco NX-OS commands for this feature may differ from those commands used in Cisco IOS.

## Enabling or Disabling NTP

You can enable or disable NTP in a particular VDC. NTP is enabled in all VDCs by default.

### BEFORE YOU BEGIN

Make sure that you are in the correct VDC. To change the VDC, use the **switchto vdc** command.

### SUMMARY STEPS

1. **config t**
2. **[no] feature ntp**
3. (Optional) **show ntp status**
4. (Optional) **copy running-config startup-config**

### DETAILED STEPS

	Command	Purpose
Step 1	<b>config t</b>  <b>Example:</b> switch# config t Enter configuration commands, one per line. End with CNTL/Z. switch(config)#	Places you in global configuration mode.
Step 2	<b>[no] feature ntp</b>  <b>Example:</b> switch(config)# feature ntp	Enables or disables NTP in a particular VDC. NTP is enabled by default.  <b>Note</b> If you are running a Cisco NX-OS Release prior to 5.2, NTP is enabled or disabled using the <b>[no] ntp enable</b> command.

**Send document comments to [nexus7k-docfeedback@cisco.com](mailto:nexus7k-docfeedback@cisco.com).**

	Command	Purpose
Step 3	<b>show ntp status</b>  <b>Example:</b> switch(config)# show ntp status Distribution: Enabled Last operational state: Fabric Locked	(Optional) Displays the status of the NTP application.
Step 4	<b>copy running-config startup-config</b>  <b>Example:</b> switch(config)# copy running-config startup-config	(Optional) Saves the change persistently through reboots and restarts by copying the running configuration to the startup configuration.

This example shows how to disable NTP:

```
switch# config t
Enter configuration commands, one per line. End with CNTL/Z.
switch(config)# no feature ntp
```

## Configuring the Device as an Authoritative NTP Server

You can configure the device to act as an authoritative NTP server, enabling it to distribute time even when it is not synchronized to an existing time server.

### BEFORE YOU BEGIN

Make sure that you are in the correct VDC. To change the VDC, use the **switchto vdc** command.

### SUMMARY STEPS

1. **config t**
2. **[no] ntp master [stratum]**
3. (Optional) **show running-config ntp**
4. (Optional) **copy running-config startup-config**

### DETAILED STEPS

	Command	Purpose
Step 1	<b>config t</b>  <b>Example:</b> switch# config t Enter configuration commands, one per line. End with CNTL/Z. switch(config)#	Places you in global configuration mode.
Step 2	<b>[no] ntp master [stratum]</b>  <b>Example:</b> switch(config)# ntp master	Configures the device as an authoritative NTP server. You can specify a different stratum level from which NTP clients get their time synchronized. The range is from 1 to 15.

***Send document comments to [nexus7k-docfeedback@cisco.com](mailto:nexus7k-docfeedback@cisco.com).***

	Command	Purpose
Step 3	<b>show running-config ntp</b>  <b>Example:</b> switch(config)# show running-config ntp	(Optional) Displays the NTP configuration.
Step 4	<b>copy running-config startup-config</b>  <b>Example:</b> switch(config)# copy running-config startup-config	(Optional) Saves the change persistently through reboots and restarts by copying the running configuration to the startup configuration.

This example shows how to configure the Cisco NX-OS device as an authoritative NTP server with a different stratum level:

```
switch# config t
Enter configuration commands, one per line. End with CNTL/Z.
switch(config)# ntp master 5
```

## Configuring an NTP Server and Peer

You can configure an NTP server and peer.

### BEFORE YOU BEGIN

Make sure that you are in the correct VDC. To change the VDC, use the **switchto vdc** command.

Make sure you know the IP address or DNS names of your NTP server and its peers.

If you plan to use CFS to distribute your NTP configuration to other devices, then you should have already completed the following:

- Enabled CFS distribution using the “[Configuring CFS Distribution](#)” section on page 2-6.
- Enabled CFS for NTP using the “[Enabling CFS Distribution for NTP](#)” section on page 3-14.

### SUMMARY STEPS

1. **config t**
2. **[no] ntp server** {*ip-address* | *ipv6-address* | *dns-name*} [**key** *key-id*] [**maxpoll** *max-poll*] [**minpoll** *min-poll*] [**prefer**] [**use-vrf** *vrf-name*]
3. **[no] ntp peer** {*ip-address* | *ipv6-address* | *dns-name*} [**key** *key-id*] [**maxpoll** *max-poll*] [**minpoll** *min-poll*] [**prefer**] [**use-vrf** *vrf-name*]
4. (Optional) **show ntp peers**
5. (Optional) **copy running-config startup-config**

**Send document comments to [nexus7k-docfeedback@cisco.com](mailto:nexus7k-docfeedback@cisco.com).**

## DETAILED STEPS

	Command	Purpose
Step 1	<pre>config t</pre> <p><b>Example:</b> switch# config t Enter configuration commands, one per line. End with CNTL/Z. switch(config)# </p>	Places you in global configuration mode.
Step 2	<pre>[no] ntp server {ip-address   ipv6-address   dns-name} [key key-id] [maxpoll max-poll] [minpoll min-poll] [prefer] [use-vrf vrf-name]</pre> <p><b>Example:</b> switch(config)# ntp server 192.0.2.10</p>	<p>Forms an association with a server.</p> <p>Use the <b>key</b> keyword to configure a key to be used while communicating with the NTP server. The range for the <i>key-id</i> argument is from 1 to 65535.</p> <p>Use the <b>maxpoll</b> and <b>minpoll</b> keywords to configure the maximum and minimum intervals in which to poll a peer. The range for the <i>max-poll</i> and <i>min-poll</i> arguments is from 4 to 16 seconds, and the default values are 6 and 4, respectively.</p> <p>Use the <b>prefer</b> keyword to make this the preferred NTP server for the device.</p> <p>Use the <b>use-vrf</b> keyword to configure the NTP server to communicate over the specified VRF. The <i>vrf-name</i> argument can be <b>default</b>, <b>management</b>, or any case-sensitive alphanumeric string up to 32 characters.</p> <p><b>Note</b> If you configure a key to be used while communicating with the NTP server, make sure that the key exists as a trusted key on the device. For more information on trusted keys, see the “<a href="#">Configuring NTP Authentication</a>” section on page 3-10.</p>

**Send document comments to [nexus7k-docfeedback@cisco.com](mailto:nexus7k-docfeedback@cisco.com).**

	Command	Purpose
Step 3	<pre>[no] ntp peer {ip-address   ipv6-address   dns-name} [key key-id] [maxpoll max-poll] [minpoll min-poll] [prefer] [use-vrf vrf-name]</pre> <p><b>Example:</b> switch(config)# ntp peer 2001:0db8::4101</p>	<p>Forms an association with a peer. You can specify multiple peer associations.</p> <p>Use the <b>key</b> keyword to configure a key to be used while communicating with the NTP peer. The range for the <i>key-id</i> argument is from 1 to 65535.</p> <p>Use the <b>maxpoll</b> and <b>minpoll</b> keywords to configure the maximum and minimum intervals in which to poll a peer. The range for the <i>max-poll</i> and <i>min-poll</i> arguments is from 4 to 17 seconds, and the default values are 6 and 4, respectively.</p> <p>Use the <b>prefer</b> keyword to make this the preferred NTP peer for the device.</p> <p>Use the <b>use-vrf</b> keyword to configure the NTP peer to communicate over the specified VRF. The <i>vrf-name</i> argument can be <b>default</b>, <b>management</b>, or any case-sensitive alphanumeric string up to 32 characters.</p>
Step 4	<pre>show ntp peers</pre> <p><b>Example:</b> switch(config)# show ntp peers</p>	<p>(Optional) Displays the configured server and peers.</p> <p><b>Note</b> A domain name is resolved only when you have a DNS server configured.</p>
Step 5	<pre>copy running-config startup-config</pre> <p><b>Example:</b> switch(config)# copy running-config startup-config</p>	<p>(Optional) Saves the change persistently through reboots and restarts by copying the running configuration to the startup configuration.</p>

This example shows how to configure an NTP server and peer:

```
switch# config t
Enter configuration commands, one per line. End with CNTL/Z.
switch(config)# ntp server 192.0.2.10 key 10 use-vrf Red
switch(config)# ntp peer 2001:0db8::4101 prefer use-vrf Red
switch(config)# show ntp peers
-----
Peer IP Address                Serv/Peer
-----
2001:0db8::4101                Peer (configured)
192.0.2.10                     Server (configured)
switch(config)# copy running-config startup-config
[#####] 100%
switch(config)#
```

[Send document comments to nexus7k-docfeedback@cisco.com.](mailto:nexus7k-docfeedback@cisco.com)

## Configuring NTP Authentication

You can configure the device to authenticate the time sources to which the local clock is synchronized. When you enable NTP authentication, the device synchronizes to a time source only if the source carries one of the authentication keys specified by the **ntp trusted-key** command. The device drops any packets that fail the authentication check and prevents them from updating the local clock. NTP authentication is disabled by default.

### BEFORE YOU BEGIN

Make sure that you configured the NTP server with the authentication keys that you plan to specify in this procedure. See the “[Configuring an NTP Server and Peer](#)” section on page 3-7 for information.

Make sure that you are in the correct VDC. To change the VDC, use the **switchto vdc** command.

### SUMMARY STEPS

1. **config t**
2. **[no] ntp authentication-key number md5 md5-string**
3. (Optional) **show ntp authentication-keys**
4. **[no] ntp trusted-key number**
5. (Optional) **show ntp trusted-keys**
6. **[no] ntp authenticate**
7. (Optional) **show ntp authentication-status**
8. (Optional) **copy running-config startup-config**

### DETAILED STEPS

	Command	Purpose
Step 1	<b>config t</b>  <b>Example:</b> switch# config t Enter configuration commands, one per line. End with CNTL/Z. switch(config)#	Places you in global configuration mode.
Step 2	<b>[no] ntp authentication-key number md5 md5-string</b>  switch(config)# ntp authentication-key 42 md5 aNiceKey	Defines the authentication keys. The device does not synchronize to a time source unless the source has one of these authentication keys and the key number is specified by the <b>ntp trusted-key number</b> command.  The range for authentication keys is from 1 to 65535. Cisco NX-OS Release 5.2(3) and later 5.x releases support up to 15 alphanumeric characters for the MD5 string. Earlier releases support up to 8 alphanumeric characters.



**Send document comments to [nexus7k-docfeedback@cisco.com](mailto:nexus7k-docfeedback@cisco.com).**

	Command	Purpose
Step 3	<b>show ntp authentication-keys</b>  <b>Example:</b> switch(config)# show ntp authentication-keys	(Optional) Displays the configured NTP authentication keys.
Step 4	[no] <b>ntp trusted-key</b> <i>number</i>  <b>Example:</b> switch(config)# ntp trusted-key 42	Specifies one or more keys (defined in Step 2) that a time source must provide in its NTP packets in order for the device to synchronize to it. The range for trusted keys is from 1 to 65535.  This command provides protection against accidentally synchronizing the device to a time source that is not trusted.
Step 5	<b>show ntp trusted-keys</b>  <b>Example:</b> switch(config)# show ntp trusted-keys	(Optional) Displays the configured NTP trusted keys.
Step 6	[no] <b>ntp authenticate</b>  <b>Example:</b> switch(config)# ntp authenticate	Enables or disables the NTP authentication feature. NTP authentication is disabled by default.
Step 7	<b>show ntp authentication-status</b>  <b>Example:</b> switch(config)# show ntp authentication-status	(Optional) Displays the status of NTP authentication.
Step 8	<b>copy running-config startup-config</b>  <b>Example:</b> switch(config)# copy running-config startup-config	(Optional) Saves the change persistently through reboots and restarts by copying the running configuration to the startup configuration.

This example shows how to configure the device to synchronize only to time sources that provide authentication key 42 in their NTP packets:

```
switch# conf t
Enter configuration commands, one per line. End with CNTL/Z.
switch(config)# ntp authentication-key 42 md5 aNiceKey
switch(config)# ntp trusted-key 42
switch(config)# ntp authenticate
switch(config)# copy running-config startup-config
[#####] 100%
switch(config)#
```

## Configuring NTP Access Restrictions

You can control access to NTP services by using access groups. Specifically, you can specify the types of requests that the device allows and the servers from which it accepts responses.

If you do not configure any access groups, NTP access is granted to all devices. If you configure any access groups, NTP access is granted only to the remote device whose source IP address passes the access list criteria.

### BEFORE YOU BEGIN

Make sure that you are in the correct VDC. To change the VDC, use the **switchto vdc** command.

***Send document comments to [nexus7k-docfeedback@cisco.com](mailto:nexus7k-docfeedback@cisco.com).***

## SUMMARY STEPS

1. **config t**
2. **[no] ntp access-group {peer | serve | serve-only | query-only} access-list-name**
3. (Optional) **show ntp access-groups**
4. (Optional) **copy running-config startup-config**

## DETAILED STEPS

	Command	Purpose
Step 1	<b>config t</b>  <b>Example:</b> switch# config t Enter configuration commands, one per line. End with CNTL/Z. switch(config)#	Places you in global configuration mode.
Step 2	<b>[no] ntp access-group {peer   serve   serve-only   query-only} access-list-name</b>  <b>Example:</b> switch(config)# ntp access-group peer accesslist1	Creates or removes an access group to control NTP access and applies a basic IP access list.  The access group options are scanned in the following order, from least restrictive to most restrictive. However, if NTP matches a deny ACL rule in a configured peer, ACL processing stops and does not continue to the next access group option. <ul style="list-style-type: none"> <li>• The <b>peer</b> keyword enables the device to receive time requests and NTP control queries and to synchronize itself to the servers specified in the access list.</li> <li>• The <b>serve</b> keyword enables the device to receive time requests and NTP control queries from the servers specified in the access list but not to synchronize itself to the specified servers.</li> <li>• The <b>serve-only</b> keyword enables the device to receive only time requests from servers specified in the access list.</li> <li>• The <b>query-only</b> keyword enables the device to receive only NTP control queries from the servers specified in the access list.</li> </ul>
Step 3	<b>show ntp access-groups</b>  <b>Example:</b> switch(config)# show ntp access-groups	(Optional) Displays the NTP access group configuration.
Step 4	<b>copy running-config startup-config</b>  <b>Example:</b> switch(config)# copy running-config startup-config	(Optional) Saves the change persistently through reboots and restarts by copying the running configuration to the startup configuration.

**Send document comments to [nexus7k-docfeedback@cisco.com](mailto:nexus7k-docfeedback@cisco.com).**

This example shows how to configure the device to allow it to synchronize to a peer from access group “accesslist1”:

```
switch# config t
switch(config)# ntp access-group peer accesslist1
switch(config)# show ntp access-groups
Access List      Type
-----
accesslist1      Peer
switch(config)# copy running-config startup-config
[#####] 100%
switch(config)#
```

## Configuring the NTP Source IP Address

NTP sets the source IP address for all NTP packets based on the address of the interface through which the NTP packets are sent. You can configure NTP to use a specific source IP address.

To configure the NTP source IP address, use the following command in global configuration mode:

Command	Purpose
[no] <b>ntp source</b> <i>ip-address</i>	Configures the source IP address for all NTP packets. The <i>ip-address</i> can be in IPv4 or IPv6 format.
<b>Example:</b> switch(config)# ntp source 192.0.2.1	

## Configuring the NTP Source Interface

You can configure NTP to use a specific interface.

To configure the NTP source interface, use the following command in global configuration mode:

Command	Purpose
[no] <b>ntp source-interface</b> <i>interface</i>	Configures the source interface for all NTP packets. Use the ? keyword to display a list of supported interfaces.
<b>Example:</b> switch(config)# ntp source-interface ethernet 2/1	

## Configuring NTP on a Secondary (Non-Default) VDC

You can configure a non-default VDC to get a timing update from the default VDC and its clients in order to synchronize with it.

### BEFORE YOU BEGIN

Use the **switchto vdc** command to switch to the desired non-default VDC.

***Send document comments to [nexus7k-docfeedback@cisco.com](mailto:nexus7k-docfeedback@cisco.com).***

## SUMMARY STEPS

1. **config t**
2. **feature ntp**
3. **ntp master**
4. (Optional) **ntp source-interface *interface***
5. (Optional) **ntp source *ip-address***
6. (Optional) **copy running-config startup-config**

## DETAILED STEPS

	Command	Purpose
Step 1	<b>config t</b>  <b>Example:</b> switch# config t Enter configuration commands, one per line. End with CNTL/Z. switch(config)#	Places you in global configuration mode.
Step 2	<b>feature ntp</b>  <b>Example:</b> switch(config)# feature ntp	Enables NTP in the non-default VDC.
Step 3	<b>ntp master</b>  <b>Example:</b> switch(config)# ntp master	Configures the device as an authoritative NTP server.
Step 4	<b>ntp source-interface <i>interface</i></b>  <b>Example:</b> switch(config)# ntp source-interface ethernet 2/1	(Optional) Configures the source interface for all NTP packets. Use the ? keyword to display a list of supported interfaces.
Step 5	<b>ntp source <i>ip-address</i></b>  <b>Example:</b> switch(config)# ntp source 192.0.2.1	(Optional) Configures the source IP address for all NTP packets. The <i>ip-address</i> can be in IPv4 or IPv6 format.
Step 6	<b>copy running-config startup-config</b>  <b>Example:</b> switch(config)# copy running-config startup-config	(Optional) Saves the change persistently through reboots and restarts by copying the running configuration to the startup configuration.

## Configuring NTP Logging

You can configure NTP logging in order to generate system logs with significant NTP events. NTP logging is disabled by default.

### BEFORE YOU BEGIN

Make sure that you are in the correct VDC. To change the VDC, use the **switchto vdc** command.

***Send document comments to [nexus7k-docfeedback@cisco.com](mailto:nexus7k-docfeedback@cisco.com).***

## SUMMARY STEPS

1. **config t**
2. **[no] ntp logging**
3. (Optional) **show ntp logging-status**
4. (Optional) **copy running-config startup-config**

## DETAILED STEPS

	Command	Purpose
Step 1	<b>config t</b>  <b>Example:</b> switch# config t Enter configuration commands, one per line. End with CNTL/Z. switch(config)#	Places you in global configuration mode.
Step 2	<b>[no] ntp logging</b>  <b>Example:</b> switch(config)# ntp logging	Enables or disables system logs to be generated with significant NTP events. NTP logging is disabled by default.
Step 3	<b>show ntp logging-status</b>  <b>Example:</b> switch(config)# show ntp logging-status	(Optional) Displays the NTP logging configuration status.
Step 4	<b>copy running-config startup-config</b>  <b>Example:</b> switch(config)# copy running-config startup-config	(Optional) Saves the change persistently through reboots and restarts by copying the running configuration to the startup configuration.

This example shows how to enable NTP logging in order to generate system logs with significant NTP events:

```
switch# config t
switch(config)# ntp logging
switch(config)# copy running-config startup-config
[#####] 100%
switch(config)#
```

## Enabling CFS Distribution for NTP

You can enable CFS distribution for NTP in order to distribute the NTP configuration to other CFS-enabled devices.

## BEFORE YOU BEGIN

Make sure that you have enabled CFS distribution for the device using the [“Configuring CFS Distribution”](#) section on page 2-6.

***Send document comments to [nexus7k-docfeedback@cisco.com](mailto:nexus7k-docfeedback@cisco.com).***

## SUMMARY STEPS

1. **config t**
2. **[no] ntp distribute**
3. (Optional) **show ntp status**
4. (Optional) **copy running-config startup-config**

## DETAILED STEPS

	Command	Purpose
Step 1	<b>config t</b>  <b>Example:</b> switch# config t Enter configuration commands, one per line. End with CNTL/Z. switch(config)#	Places you in global configuration mode.
Step 2	<b>[no] ntp distribute</b>  <b>Example:</b> switch(config)# ntp distribute	Enables or disables the device to receive NTP configuration updates that are distributed through CFS.
Step 3	<b>show ntp status</b>  <b>Example:</b> switch(config)# show ntp status	(Optional) Displays the NTP CFS distribution status.
Step 4	<b>copy running-config startup-config</b>  <b>Example:</b> switch(config)# copy running-config startup-config	(Optional) Saves the change persistently through reboots and restarts by copying the running configuration to the startup configuration.

## Committing NTP Configuration Changes

When you commit the NTP configuration changes, the effective database is overwritten by the configuration changes in the pending database and all the devices in the network receive the same configuration.

To commit the NTP configuration changes, use the following command in global configuration mode:

Command	Purpose
<b>ntp commit</b>  <b>Example:</b> switch(config)# ntp commit	Distributes the NTP configuration changes to all Cisco NX-OS devices in the network and releases the CFS lock. This command overwrites the effective database with the changes made to the pending database.

***Send document comments to [nexus7k-docfeedback@cisco.com](mailto:nexus7k-docfeedback@cisco.com).***

## Discarding NTP Configuration Changes

After making the configuration changes, you can choose to discard the changes instead of committing them. If you discard the changes, Cisco NX-OS removes the pending database changes and releases the CFS lock.

To discard NTP configuration changes, use the following command in global configuration mode:

Command	Purpose
<code>ntp abort</code>	Discards the NTP configuration changes in the pending database and releases the CFS lock. Use this command on the device where you started the NTP configuration.
<b>Example:</b> <code>switch(config)# ntp abort</code>	

## Releasing the CFS Session Lock

If you have performed an NTP configuration and have forgotten to release the lock by either committing or discarding the changes, you or another administrator can release the lock from any device in the network. This action also discards pending database changes.

To release the session lock from any device and discard any pending database changes, use the following command in global configuration mode:

Command	Purpose
<code>clear ntp session</code>	Discards the NTP configuration changes in the pending database and releases the CFS lock.
<b>Example:</b> <code>switch(config)# clear ntp session</code>	

## Verifying the NTP Configuration

To display the NTP configuration, perform one of the following tasks:

Command	Purpose
<code>show ntp access-groups</code>	Displays the NTP access group configuration.
<code>show ntp authentication-keys</code>	Displays the configured NTP authentication keys.
<code>show ntp authentication-status</code>	Displays the status of NTP authentication.
<code>show ntp internal</code>	Displays internal NTP information.
<code>show ntp logging-status</code>	Displays the NTP logging status.
<code>show ntp peer-status</code>	Displays the status for all NTP servers and peers.
<code>show ntp peers</code>	Displays all the NTP peers.
<code>show ntp pending</code>	Displays the temporary CFS database for NTP.
<code>show ntp pending-diff</code>	Displays the difference between the pending CFS database and the current NTP configuration.

***Send document comments to [nexus7k-docfeedback@cisco.com](mailto:nexus7k-docfeedback@cisco.com).***

Command	Purpose
<b>show ntp rts-update</b>	Displays the RTS update status.
<b>show ntp session status</b>	Displays the NTP CFS distribution session information.
<b>show ntp source</b>	Displays the configured NTP source IP address.
<b>show ntp source-interface</b>	Displays the configured NTP source interface.
<b>show ntp statistics {io   local   memory   peer {ipaddr {ipv4-addr   ipv6-addr}   name peer-name}}</b>	Displays the NTP statistics.
<b>show ntp status</b>	Displays the NTP CFS distribution status.
<b>show ntp trusted-keys</b>	Displays the configured NTP trusted keys.
<b>show running-config ntp</b>	Displays NTP information.

Use the **clear ntp session** command to clear the NTP sessions.

Use the **clear ntp statistics** command to clear the NTP statistics.

## Configuration Examples for NTP

This example shows how to configure an NTP server and peer, enable NTP authentication, enable NTP logging, and then save the configuration in startup so that it is saved across reboots and restarts:

```
switch# config t
Enter configuration commands, one per line. End with CNTL/Z.
switch(config)# ntp server 192.0.2.105 key 42
switch(config)# ntp peer 2001:0db8::4101
switch(config)# show ntp peers
-----
Peer IP Address          Serv/Peer
-----
2001:db8::4101          Peer (configured)
192.0.2.105              Server (configured)
switch(config)# ntp authentication-key 42 md5 aNiceKey
switch(config)# show ntp authentication-keys
-----
Auth key      MD5 String
-----
42            aNicekey
switch(config)# ntp trusted-key 42
switch(config)# show ntp trusted-keys
Trusted Keys:
42
switch(config)# ntp authenticate
switch(config)# show ntp authentication-status
Authentication enabled.
switch(config)# ntp logging
switch(config)# show ntp logging
NTP logging enabled.
switch(config)# copy running-config startup-config
[#####] 100%
switch(config)#
```



## ***Send document comments to [nexus7k-docfeedback@cisco.com](mailto:nexus7k-docfeedback@cisco.com).***

This example shows an NTP access group configuration with the following restrictions:

- Peer restrictions are applied to IP addresses that pass the criteria of the access list named “peer-acl.”
- Serve restrictions are applied to IP addresses that pass the criteria of the access list named “serve-acl.”
- Serve-only restrictions are applied to IP addresses that pass the criteria of the access list named “serve-only-acl.”
- Query-only restrictions are applied to IP addresses that pass the criteria of the access list named “query-only-acl.”

```
switch# config t
switch(config)# ntp peer 10.1.1.1
switch(config)# ntp peer 10.2.2.2
switch(config)# ntp peer 10.3.3.3
switch(config)# ntp peer 10.4.4.4
switch(config)# ntp peer 10.5.5.5
switch(config)# ntp peer 10.6.6.6
switch(config)# ntp peer 10.7.7.7
switch(config)# ntp peer 10.8.8.8
switch(config)# ntp access-group peer peer-acl
switch(config)# ntp access-group serve serve-acl
switch(config)# ntp access-group serve-only serve-only-acl
switch(config)# ntp access-group query-only query-only-acl

switch(config)# ip access-list peer-acl
switch(config-acl)# 10 permit ip host 10.1.1.1 any
switch(config-acl)# 20 permit ip host 10.8.8.8 any

switch(config)# ip access-list serve-acl
switch(config-acl)# 10 permit ip host 10.4.4.4 any
switch(config-acl)# 20 permit ip host 10.5.5.5 any

switch(config)# ip access-list serve-only-acl
switch(config-acl)# 10 permit ip host 10.6.6.6 any
switch(config-acl)# 20 permit ip host 10.7.7.7 any

switch(config)# ip access-list query-only-acl
switch(config-acl)# 10 permit ip host 10.2.2.2 any
switch(config-acl)# 20 permit ip host 10.3.3.3 any
```

## **Additional References**

For additional information related to implementing NTP, see the following sections:

- [Related Documents, page 3-20](#)
- [MIBs, page 3-20](#)

**[Send document comments to nexus7k-docfeedback@cisco.com.](mailto:nexus7k-docfeedback@cisco.com)**

## Related Documents

Related Topic	Document Title
NTP CLI commands	<i>Cisco Nexus 7000 Series NX-OS System Management Command Reference</i>
Clock manager	<i>Cisco Nexus 7000 Series NX-OS Fundamentals Configuration Guide, Release 5.x</i>
VDCs and VRFs	<i>Cisco Nexus 7000 Series NX-OS Virtual Device Context Configuration Guide, Release 5.x</i>

## MIBs

MIBs	MIBs Link
<ul style="list-style-type: none"> <li>CISCO-NTP-MIB</li> </ul>	To locate and download MIBs, go to the following URL: <a href="http://www.cisco.com/public/sw-center/netmgmt/cmtk/mibs.shtml">http://www.cisco.com/public/sw-center/netmgmt/cmtk/mibs.shtml</a>

## Feature History for NTP

Table 3-2 lists the release history for this feature.

**Table 3-2** Feature History for NTP

Feature Name	Releases	Feature Information
NTP	5.2(3)	Increased the length of NTP authentication keys from 8 to 15 alphanumeric characters.
NTP	5.2(1)	Added NTP support for all VDCs, enabling them to act as time servers. See the “ <a href="#">Virtualization Support</a> ” section on <a href="#">page 3-3</a> .
NTP	5.2(1)	Changed the command to enable or disable NTP from <b>[no] ntp enable</b> to <b>[no] feature ntp</b> . See the “ <a href="#">Enabling or Disabling NTP</a> ” section on <a href="#">page 3-5</a> .
NTP	5.2(1)	Added the ability to configure the device as an authoritative NTP server, enabling it to distribute time even when it is not synchronized to an existing time server. See the “ <a href="#">Configuring the Device as an Authoritative NTP Server</a> ” section on <a href="#">page 3-6</a> .
NTP access groups	5.2(1)	Added the <b>serve</b> , <b>serve-only</b> , and <b>query-only</b> access group options to control access to additional NTP services. See the “ <a href="#">Configuring NTP Access Restrictions</a> ” section on <a href="#">page 3-11</a> .
NTP	5.1(1)	No change from Release 5.0.
NTP access groups	5.0(2)	Added the ability to control access to NTP services by using access groups. See the “ <a href="#">Configuring NTP Access Restrictions</a> ” section on <a href="#">page 3-11</a> .

***Send document comments to [nexus7k-docfeedback@cisco.com](mailto:nexus7k-docfeedback@cisco.com).***

**Table 3-2**      *Feature History for NTP (continued)*

Feature Name	Releases	Feature Information
NTP authentication	5.0(2)	Added the ability to enable or disable NTP authentication. See the “ <a href="#">Configuring NTP Authentication</a> ” section on page 3-10.
NTP logging	5.0(2)	Added the ability to enable or disable NTP logging. See the “ <a href="#">Configuring NTP Logging</a> ” section on page 3-14.
NTP server configuration	5.0(2)	Added the optional <b>key</b> keyword to the <b>ntp server</b> command to configure a key to be used while communicating with the NTP server. See the “ <a href="#">Configuring an NTP Server and Peer</a> ” section on page 3-7.
CFS support	4.2(1)	Added the ability to distribute NTP configuration using CFS. See the “ <a href="#">Enabling CFS Distribution for NTP</a> ” section on page 3-15.
NTP source IP address or interface	4.1(3)	Added the ability set the source IP address or source interface that NTP includes in all NTP packets sent to peers.
NTP	4.0(3)	Added the ability to disable NTP. See the “ <a href="#">Enabling or Disabling NTP</a> ” section on page 3-5.

***Send document comments to [nexus7k-docfeedback@cisco.com](mailto:nexus7k-docfeedback@cisco.com).***



## CHAPTER 4

# Configuring PTP

---

This chapter describes how to configure the Precision Time Protocol (PTP) on Cisco NX-OS devices.

This chapter includes the following sections:

- [Information About PTP, page 4-1](#)
- [Licensing Requirements for PTP, page 4-4](#)
- [Prerequisites for PTP, page 4-4](#)
- [Guidelines and Limitations, page 4-4](#)
- [Default Settings, page 4-5](#)
- [Configuring PTP, page 4-5](#)
- [Verifying the PTP Configuration, page 4-9](#)
- [Configuration Examples for PTP, page 4-9](#)
- [Additional References, page 4-10](#)
- [Feature History for PTP, page 4-11](#)

## Information About PTP

This section includes the following topics:

- [PTP Overview, page 4-2](#)
- [PTP Device Types, page 4-2](#)
- [PTP Process, page 4-3](#)
- [Pong, page 4-3](#)
- [Clock Manager, page 4-3](#)
- [High Availability, page 4-3](#)
- [Virtualization Support, page 4-4](#)

***Send document comments to [nexus7k-docfeedback@cisco.com](mailto:nexus7k-docfeedback@cisco.com).***

## PTP Overview

PTP is a time synchronization protocol for nodes distributed across a network. Its hardware timestamp feature provides greater accuracy than other time synchronization protocols such as Network Time Protocol (NTP).

A PTP system can consist of a combination of PTP and non-PTP devices. PTP devices include ordinary clocks, boundary clocks, and transparent clocks. Non-PTP devices include ordinary network switches, routers, and other infrastructure devices.

PTP is a distributed protocol that specifies how real-time PTP clocks in the system synchronize with each other. These clocks are organized into a master-member synchronization hierarchy with the grandmaster clock, the clock at the top of the hierarchy, determining the reference time for the entire system. Synchronization is achieved by exchanging PTP timing messages, with the members using the timing information to adjust their clocks to the time of their master in the hierarchy. PTP operates within a logical scope called a PTP domain.

## PTP Device Types

The following clocks are common PTP devices:

- Ordinary clock—Communicates with the network based on a single physical port, similar to an end host. An ordinary clock can function as a grandmaster clock.
- Boundary clock—Typically has several physical ports, with each port behaving like a port of an ordinary clock. However, each port shares the local clock, and the clock data sets are common to all ports. Each port decides its individual state, either master (synchronizing other ports connected to it) or member (synchronizing to a downstream port), based on the best clock available to it through all of the other ports on the boundary clock. Messages related to synchronization and establishing the master-member hierarchy terminate in the protocol engine of a boundary clock and are not forwarded.
- Transparent clock—Forwards all PTP messages like an ordinary switch or router but measures the residence time of a packet in the switch (the time that the packet takes to traverse the transparent clock) and in some cases the link delay of the ingress port for the packet. The ports have no state because the transparent clock does not need to synchronize to the grandmaster clock.
  - End-to-end transparent clock—Measures the residence time of a PTP message and accumulates the times in the correction field of the PTP message or an associated follow-up message.
  - Peer-to-peer transparent clock—Measures the residence time of a PTP message and computes the link delay between each port and a similarly equipped port on another node that shares the link. For a packet, this incoming link delay is added to the residence time in the correction field of the PTP message or an associated follow-up message.

**Note**

---

In Cisco NX-OS Release 5.2, PTP operates only in boundary clock mode. End-to-end transparent clock and peer-to-peer transparent clock modes are not supported.

---

***Send document comments to [nexus7k-docfeedback@cisco.com](mailto:nexus7k-docfeedback@cisco.com).***

## PTP Process

The PTP process consists of two phases: establishing the master-member hierarchy and synchronizing the clocks.

Within a PTP domain, each port of an ordinary or boundary clock follows this process to determine its state:

- Examines the contents of all received announce messages (issued by ports in the master state)
- Compares the data sets of the foreign master (in the announce message) and the local clock for priority, clock class, accuracy, and so on
- Based on this comparison, determines its own state as either master or member

After the master-member hierarchy has been established, the clocks are synchronized as follows:

- The master sends a synchronization message to the member and notes the time it was sent.
- The member receives the synchronization message and notes the time it was received.
- The member sends a delay-request message to the master and notes the time it was sent.
- The master receives the delay-request message and notes the time it was received.
- The master sends a delay-response message to the member.
- The member uses these timestamps to adjust its clock to the time of its master.

## Pong

The network-monitoring tool Pong leverages the PTP's time synchronization infrastructure to diagnose the health of the network. Pong measures port-to-port delays and is similar to the network-monitoring utility Ping but provides for a greater depth of network diagnostics. For more information on Pong, see the *Cisco Nexus 7000 Series NX-OS Troubleshooting Guide*.

## Clock Manager

Clocks are resources that need to be shared across different processes and across different VDCs. Multiple time synchronization protocols (such as NTP and PTP) might be running in the system, and multiple instances of the same protocol might be running in different VDCs. The clock manager allows you to specify the protocol and a VDC running that protocol to control the various clocks in the system. For information on configuring the clock manager, see the *Cisco Nexus 7000 Series NX-OS Fundamentals Configuration Guide, Release 5.x*.

## High Availability

Stateful restarts are supported for PTP. After a reboot or a supervisor switchover, the running configuration is applied. For more information on high availability, see the *Cisco Nexus 7000 Series NX-OS High Availability and Redundancy Guide, Release 5.x*.

**[Send document comments to nexus7k-docfeedback@cisco.com.](mailto:nexus7k-docfeedback@cisco.com)**

## Virtualization Support

Cisco NX-OS supports multiple instances of PTP, one instance per virtual device context (VDC). By default, Cisco NX-OS places you in the default VDC unless you specifically configure another VDC. For more information about VDCs, see the *Cisco Nexus 7000 Series NX-OS Virtual Device Context Configuration Guide, Release 5.x*.

## Licensing Requirements for PTP

Product	License Requirement
Cisco NX-OS	PTP requires no license. Any feature not included in a license package is bundled with the Cisco NX-OS system images and is provided at no extra charge to you. For a complete explanation of the Cisco NX-OS licensing scheme, see the <i>Cisco NX-OS Licensing Guide</i> .

## Prerequisites for PTP

PTP has the following prerequisites:

- To configure VDCs, you must install the Advanced Services license. See the *Cisco Nexus 7000 Series NX-OS Virtual Device Context Configuration Guide, Release 5.x*.

## Guidelines and Limitations

PTP has the following configuration guidelines and limitations:

- In Cisco NX-OS Release 5.2, PTP operates only in boundary clock mode. End-to-end transparent clock and peer-to-peer transparent clock modes are not supported.
- Only one PTP process can control all of the port clocks through the clock manager.
- PTP supports transport over User Datagram Protocol (UDP). Transport over Ethernet is not supported.
- PTP supports only multicast communication. Negotiated unicast communication is not supported.
- PTP is limited to a single domain per network.
- All management messages are forwarded on ports on which PTP is enabled. Handling management messages is not supported.
- PTP can be enabled only on F1 Series module ports.
- PTP-capable ports do not identify PTP packets and do not time-stamp or redirect those packets unless you enable PTP on those ports.
- For F1 Series modules, PTP is not supported on the port if priority flow control is enabled. Similarly, priority flow control is not supported if PTP is enabled on the same port.
- For F1 Series modules, Pong is not supported on the VDC if priority flow control is enabled on any of the ports in the same VDC. Similarly, priority flow control is not supported if Pong is enabled in the same VDC.



[Send document comments to nexus7k-docfeedback@cisco.com.](mailto:nexus7k-docfeedback@cisco.com)

## Default Settings

Table 4-1 lists the default settings for PTP parameters.

**Table 4-1** Default PTP Parameters

Parameters	Default
PTP	Disabled
PTP domain	0
PTP priority1 value when advertising the clock	255
PTP priority2 value when advertising the clock	255
PTP announce interval	1 (one packet every 2 seconds)
PTP sync interval	2 (one packet every 4 seconds)
PTP announce timeout	3
PTP minimum delay request interval	2 (one packet every 4 seconds)
PTP VLAN	1

## Configuring PTP

This section includes the following topics:

- [Configuring PTP Globally, page 4-5](#)
- [Configuring PTP on an Interface, page 4-7](#)

## Configuring PTP Globally

You can enable or disable PTP globally on a device. You can also configure various PTP clock parameters to help determine which clock in the network has the highest priority to be selected as the grandmaster.

### BEFORE YOU BEGIN

Make sure that you are in the correct VDC. To change the VDC, use the **switchto vdc** command.

### SUMMARY STEPS

1. **config t**
2. **[no] feature ptp**
3. **[no] ptp source ip-address [vrf vrf]**
4. (Optional) **[no] ptp domain number**
5. (Optional) **[no] ptp priority1 value**
6. (Optional) **[no] ptp priority2 value**

**Send document comments to [nexus7k-docfeedback@cisco.com](mailto:nexus7k-docfeedback@cisco.com).**

7. (Optional) **show ptp brief**
8. (Optional) **show ptp clock**
9. (Optional) **copy running-config startup-config**

## DETAILED STEPS

	Command	Purpose
Step 1	<b>config t</b>  <b>Example:</b> switch# config t Enter configuration commands, one per line. End with CNTL/Z. switch(config)#	Places you in global configuration mode.
Step 2	<b>[no] feature ptp</b>  <b>Example:</b> switch(config)# feature ptp	Enables or disables PTP on the device.
Step 3	<b>[no] ptp source ip-address [vrf vrf]</b>  <b>Example:</b> switch(config)# ptp source 192.0.2.1	Configures the source IP address for all PTP packets. The <i>ip-address</i> can be in IPv4 format.
Step 4	<b>[no] ptp domain number</b>  <b>Example:</b> switch(config)# ptp domain 1	(Optional) Configures the domain number to use for this clock. PTP domains allow you to use multiple independent PTP clocking subdomains on a single network. The range is from 0 to 128.
Step 5	<b>[no] ptp priority1 value</b>  <b>Example:</b> switch(config)# ptp priority1 10	(Optional) Configures the priority1 value to use when advertising this clock. This value overrides the default criteria (clock quality, clock class, and so on) for best master clock selection. Lower values take precedence. The range is from 0 to 255.
Step 6	<b>[no] ptp priority2 value</b>  <b>Example:</b> switch(config)# ptp priority2 20	(Optional) Configures the priority2 value to use when advertising this clock. This value is used to decide between two devices that are otherwise equally matched in the default criteria. For example, you can use the priority2 value to give a specific switch priority over other identical switches. The range is from 0 to 255.
Step 7	<b>show ptp brief</b>  <b>Example:</b> switch(config)# show ptp brief	(Optional) Displays the PTP status.
Step 8	<b>show ptp clock</b>  <b>Example:</b> switch(config)# show ptp clock	(Optional) Displays the properties of the local clock.

***Send document comments to [nexus7k-docfeedback@cisco.com](mailto:nexus7k-docfeedback@cisco.com).***

	Command	Purpose
Step 9	<b>show ptp clock</b>  <b>Example:</b> switch(config)# show ptp clock	(Optional) Displays the properties of the local clock.
Step 10	<b>copy running-config startup-config</b>  <b>Example:</b> switch(config)# copy running-config startup-config	(Optional) Saves the change persistently through reboots and restarts by copying the running configuration to the startup configuration.

## Configuring PTP on an Interface

After you globally enable PTP, it is *not* enabled on all supported interfaces by default. You must enable PTP on individual interfaces.

### BEFORE YOU BEGIN

Make sure that you are in the correct VDC. To change the VDC, use the **switchto vdc** command.

Make sure that you have globally enabled PTP on the device and configured the source IP address for PTP communication.

### SUMMARY STEPS

1. **config t**
2. **interface ethernet *slot/port***
3. **[no] ptp**
4. (Optional) **[no] ptp announce {interval *seconds* | timeout *count*}**
5. (Optional) **[no] ptp delay-request minimum interval *seconds***
6. (Optional) **[no] ptp sync interval *seconds***
7. (Optional) **[no] ptp vlan *vlan***
8. (Optional) **show ptp brief**
9. (Optional) **show ptp port interface *interface slot/port***
10. (Optional) **copy running-config startup-config**

**Send document comments to [nexus7k-docfeedback@cisco.com](mailto:nexus7k-docfeedback@cisco.com).**

## DETAILED STEPS

	Command	Purpose
Step 1	<b>config t</b>  <b>Example:</b> switch# config t Enter configuration commands, one per line. End with CNTL/Z. switch(config)#	Places you in global configuration mode.
Step 2	<b>interface ethernet slot/port</b>  <b>Example:</b> switch(config)# interface ethernet 7/1 switch(config-if)	Specifies the interface on which you are enabling PTP and enters the interface configuration mode.
Step 3	[no] <b>ptp</b>  <b>Example:</b> switch(config-if)# ptp	Enables or disables PTP on an interface.
Step 4	[no] <b>ptp announce {interval seconds   timeout count}</b>  <b>Example:</b> switch(config-if)# ptp announce interval 1	(Optional) Configures the interval between PTP announce messages on an interface or the number of PTP intervals before a timeout occurs on an interface.  The range for the PTP announcement interval is from 0 to 4 log seconds, and the range for the interval timeout is from 2 to 10.
Step 5	[no] <b>ptp delay-request minimum interval seconds</b>  <b>Example:</b> switch(config-if)# ptp delay-request minimum interval 3	(Optional) Configures the minimum interval allowed between PTP delay-request messages when the port is in the master state. The range is from -1 to 6 log seconds.
Step 6	[no] <b>ptp sync interval seconds</b>  <b>Example:</b> switch(config-if)# ptp sync interval 1	(Optional) Configures the interval between PTP synchronization messages on an interface. The range is from -1 to 2 log seconds.
Step 7	[no] <b>ptp vlan vlan</b>  <b>Example:</b> switch(config-if)# ptp vlan 10	(Optional) Configures the PTP VLAN value on an interface. The range is from 1 to 4094.
Step 8	<b>show ptp brief</b>  <b>Example:</b> switch(config)# show ptp brief	(Optional) Displays the PTP status.
Step 9	<b>show ptp port interface interface slot/port</b>  <b>Example:</b> switch(config-if)# show ptp port interface ethernet 7/1	(Optional) Displays the status of the PTP port.
Step 10	<b>copy running-config startup-config</b>  <b>Example:</b> switch(config-if)# copy running-config startup-config	(Optional) Saves the change persistently through reboots and restarts by copying the running configuration to the startup configuration.

***Send document comments to [nexus7k-docfeedback@cisco.com](mailto:nexus7k-docfeedback@cisco.com).***

## Verifying the PTP Configuration

To display the PTP configuration, perform one of the following tasks:

Command	Purpose
<b>show ptp brief</b>	Displays the PTP status.
<b>show ptp clock</b>	Displays the properties of the local clock.
<b>show ptp clock foreign-masters record</b> [ <i>interface interface slot/port</i> ]	Displays the state of foreign masters known to the PTP process. For each foreign master, the output displays the clock identity, basic clock properties, and whether the clock is being used as a grandmaster.
<b>show ptp corrections</b>	Displays the last few PTP corrections.
<b>show ptp parent</b>	Displays the properties of the PTP parent.
<b>show ptp port interface</b> <i>interface slot/port</i>	Displays the status of the PTP port.
<b>show ptp time-property</b>	Displays the properties of the PTP clock.

## Configuration Examples for PTP

This example shows how to configure PTP globally on the device, specify the source IP address for PTP communications, and configure a preference level for the clock:

```
switch# config t
switch(config)# feature ptp
switch(config)# ptp source 10.10.10.1
switch(config)# ptp priority1 1
switch(config)# ptp priority2 1
switch(config)# show ptp brief
PTP port status
-----
Port          State
-----
switch(config)# show ptp clock
PTP Device Type: Boundary clock
Clock Identity : 0:22:55:ff:ff:79:a4:c1
Clock Domain: 0
Number of PTP ports: 0
Priority1 : 1
Priority2 : 1
Clock Quality:
    Class : 248
    Accuracy : 254
    Offset (log variance) : 65535
Offset From Master : 0
Mean Path Delay : 0
Steps removed : 0
Local clock time:Sun Jul 3 14:13:24 2011
```

**[Send document comments to nexus7k-docfeedback@cisco.com.](mailto:nexus7k-docfeedback@cisco.com)**

This example shows how to configure PTP on an interface and configure the intervals for the announce, delay-request, and synchronization messages:

```
switch# config t
switch(config)# interface ethernet 2/1
switch(config-if)# ptp
switch(config-if)# ptp announce interval 3
switch(config-if)# ptp announce timeout 2
switch(config-if)# ptp delay-request minimum interval 4
switch(config-if)# ptp sync interval -1
switch(config-if)# show ptp brief
PTP port status
-----
Port          State
-----
Eth2/1       Master
switch(config-if)# show ptp port interface ethernet 2/1
PTP Port Dataset: Eth2/1
Port identity: clock identity: 0:22:55:ff:ff:79:a4:c1
Port identity: port number: 1028
PTP version: 2
Port state: Master
Delay request interval(log mean): 4
Announce receipt time out: 2
Peer mean path delay: 0
Announce interval(log mean): 3
Sync interval(log mean): -1
Delay Mechanism: End to End
Peer delay request interval(log mean): 0
```

## Additional References

For additional information related to implementing PTP, see the following sections:

- [Related Documents, page 4-10](#)
- [MIBs, page 4-11](#)

## Related Documents

Related Topic	Document Title
PTP CLI commands	<i>Cisco Nexus 7000 Series NX-OS System Management Command Reference, Release 5.x</i>
Pong	<i>Cisco Nexus 7000 Series NX-OS Fundamentals Configuration Guide, Release 5.x</i>
Clock manager	<i>Cisco Nexus 7000 Series NX-OS Fundamentals Configuration Guide, Release 5.x</i>
VDCs	<i>Cisco Nexus 7000 Series NX-OS Virtual Device Context Configuration Guide, Release 5.x</i>

***Send document comments to [nexus7k-docfeedback@cisco.com](mailto:nexus7k-docfeedback@cisco.com).***

## MIBs

MIBs	MIBs Link
<ul style="list-style-type: none"><li>CISCO-PTP-MIB</li></ul>	To locate and download MIBs, go to the following URL: <a href="http://www.cisco.com/public/sw-center/netmgmt/cmtk/mibs.shtml">http://www.cisco.com/public/sw-center/netmgmt/cmtk/mibs.shtml</a>

## Feature History for PTP

Table 4-2 lists the release history for this feature.

**Table 4-2** Feature History for PTP

Feature Name	Releases	Feature Information
PTP	5.2(1)	This feature was introduced.

***Send document comments to [nexus7k-docfeedback@cisco.com](mailto:nexus7k-docfeedback@cisco.com).***





## CHAPTER 5

# Configuring CDP

---

This chapter describes how to configure the Cisco Discovery Protocol (CDP) on Cisco NX-OS devices.

This chapter includes the following sections:

- [Information About CDP, page 5-1](#)
- [Licensing Requirements for CDP, page 5-3](#)
- [Prerequisites for CDP, page 5-3](#)
- [Guidelines and Limitations, page 5-3](#)
- [Default Settings, page 5-4](#)
- [Configuring CDP, page 5-4](#)
- [Verifying the CDP Configuration, page 5-7](#)
- [Configuration Example for CDP, page 5-8](#)
- [Additional References, page 5-8](#)
- [Feature History for CDP, page 5-9](#)

## Information About CDP

This section includes the following topics:

- [CDP Overview, page 5-1](#)
- [VTP Feature Support, page 5-2](#)
- [High Availability, page 5-3](#)
- [Virtualization Support, page 5-3](#)

## CDP Overview

The Cisco Discovery Protocol (CDP) is a media-independent and protocol-independent protocol that runs on all Cisco-manufactured equipment including routers, bridges, access and communication servers, and switches. You can use CDP to discover and view information about all the Cisco devices that are directly attached to the device.

CDP gathers protocol addresses of neighboring devices and discovers the platform of those devices. CDP runs over the data link layer only. Two systems that support different Layer 3 protocols can learn about each other.

## ***Send document comments to [nexus7k-docfeedback@cisco.com](mailto:nexus7k-docfeedback@cisco.com).***

Each device that you configure for CDP sends periodic advertisements to a multicast address. Each device advertises at least one address at which it can receive SNMP messages. The advertisements also contain hold-time information, which indicates the length of time that a receiving device should hold CDP information before removing it. You can configure the advertisement or refresh timer and the hold timer.

CDP Version-2 (CDPv2) allows you to track instances where the native VLAN ID or port duplex states do not match between connecting devices.

CDP advertises the following type-length-value fields (TLVs):

- Device ID
- Address
- Port ID
- Capabilities
- Version
- Platform
- Native VLAN
- Full/Half Duplex
- MTU
- SysName
- SysObjectID
- Management Address
- Physical Location
- VTP

All CDP packets include a VLAN ID. If you configure CDP on a Layer 2 access port, the CDP packets sent from that access port include the access port VLAN ID. If you configure CDP on a Layer 2 trunk port, the CDP packets sent from that trunk port include the lowest configured VLAN ID allowed on that trunk port. The trunk port can receive CDP packets that include any VLAN ID in the allowed VLAN list for that trunk port. For more information on VLANs, see the *Cisco Nexus 7000 Series NX-OS Layer 2 Switching Configuration Guide, Release 5.x*.

## **VTP Feature Support**

CDP sends the VLAN Trunking Protocol (VTP) type-length-value field (TLV) if the following conditions are met:

- CDP Version 2 is enabled
- The VTP feature is enabled
- A VTP domain name is configured

You can view the VTP information with the **show cdp neighbors detail** command.

***Send document comments to [nexus7k-docfeedback@cisco.com](mailto:nexus7k-docfeedback@cisco.com).***

## High Availability

Cisco NX-OS supports stateless restarts for CDP. After a reboot or a supervisor switchover, Cisco NX-OS applies the running configuration. For more information on high availability, see the *Cisco Nexus 7000 Series NX-OS High Availability and Redundancy Guide, Release 5.x*.

## Virtualization Support

Cisco NX-OS supports multiple instances of CDP, one instance per virtual device context (VDC). By default, Cisco NX-OS places you in the default VDC unless you specifically configure another VDC. For more information on VDCs, see the *Cisco Nexus 7000 Series NX-OS Virtual Device Context Configuration Guide, Release 5.x*.

## Licensing Requirements for CDP

Product	License Requirement
Cisco NX-OS	CDP requires no license. Any feature not included in a license package is bundled with the Cisco NX-OS system images and is provided at no extra charge to you. For a complete explanation of the Cisco NX-OS licensing scheme, see the <i>Cisco NX-OS Licensing Guide</i> .

## Prerequisites for CDP

CDP has the following prerequisites:

If you configure VDCs, install the Advanced Services license and enter the desired VDC (see the *Cisco Nexus 7000 Series NX-OS Virtual Device Context Configuration Guide, Release 5.x*).

## Guidelines and Limitations

CDP has the following configuration guidelines and limitations:

- CDP can discover up to 256 neighbors per port if the port is connected to a hub with 256 connections.
- CDP must be enabled on the device or you cannot enable it on any interfaces.
- You can configure CDP on physical interfaces and port channels only.
- CDP is not supported for the Cisco Nexus 2000 Series Fabric Extender.

[Send document comments to nexus7k-docfeedback@cisco.com.](mailto:nexus7k-docfeedback@cisco.com)

## Default Settings

Table 5-1 lists the CDP default settings.

**Table 5-1 CDP Default Settings**

Parameters	Default
CDP	Enabled globally and on all interfaces
CDP version	Version 2
CDP device ID	Serial number
CDP timer	60 seconds
CDP hold timer	180 seconds

## Configuring CDP

This section includes the following topics:

- [Enabling or Disabling CDP Globally, page 5-4](#)
- [Enabling or Disabling CDP on an Interface, page 5-5](#)
- [Configuring Optional CDP Parameters, page 5-7](#)



### Note

Be aware that the Cisco NX-OS commands may differ from the Cisco IOS commands.

## Enabling or Disabling CDP Globally

CDP is enabled by default. You can disable CDP and then reenabling it.

You must enable CDP on the device before you enable CDP on any interfaces. If CDP is disabled globally and you enable CDP on specified interfaces, CDP will not be active on those interfaces; the system does not return an error message.

### BEFORE YOU BEGIN

Make sure that you are in the correct VDC. To change the VDC, use the **switchto vdc** command.

### SUMMARY STEPS

1. **config t**
2. **cdp enable**
3. **copy running-config startup-config**

***Send document comments to [nexus7k-docfeedback@cisco.com](mailto:nexus7k-docfeedback@cisco.com).***

## DETAILED STEPS

	Command	Purpose
Step 1	<b>config t</b>  <b>Example:</b> switch# config t Enter configuration commands, one per line. End with CNTL/Z. switch(config)#	Places you in global configuration mode.
Step 2	<b>cdp enable</b>  <b>Example:</b> switch(config)# cdp enable	Enables the CDP feature on the entire device. This is enabled by default.
Step 3	<b>copy running-config startup-config</b>  <b>Example:</b> switch(config)# copy running-config startup-config	(Optional) Saves this configuration change.

Use the **no cdp enable** command to disable the CDP feature on the device.

Command	Purpose
<b>no cdp enable</b>  <b>Example:</b> switch(config)# no cdp enable	Disables the CDP feature on the device.

This example shows how to enable the CDP feature:

```
switch# config t
Enter configuration commands, one per line. End with CNTL/Z.
switch(config)# cdp enable
```

## Enabling or Disabling CDP on an Interface

CDP is enabled by default on an interface. You can disable CDP on an interface.

If CDP is disabled globally and you enable CDP on specified interfaces, CDP will not be active on those interfaces; the system does not return an error message.

### BEFORE YOU BEGIN

Make sure that you are in the correct VDC. To change the VDC, use the **switchto vdc** command.

### SUMMARY STEPS

1. **config t**
2. **interface** *interface-type slot/port*
3. **cdp enable**

**Send document comments to [nexus7k-docfeedback@cisco.com](mailto:nexus7k-docfeedback@cisco.com).**

4. `show cdp interface interface-type slot/port`
5. `copy running-config startup-config`

## DETAILED STEPS

	Command	Purpose
Step 1	<b>config t</b>  <b>Example:</b> switch# <code>config t</code> Enter configuration commands, one per line. End with CNTL/Z. switch(config)#	Places you in global configuration mode.
Step 2	<b>interface interface-type slot/port</b>  <b>Example:</b> switch(config)# <code>interface ethernet 1/2</code> switch(config-if)#	Enters interface configuration mode.
Step 3	<b>cdp enable</b>  <b>Example:</b> switch(config-if)# <code>cdp enable</code>	Enables CDP on this interface. This is enabled by default.  <b>Note</b> Ensure that CDP is enabled on the device (see the <a href="#">“Enabling or Disabling CDP Globally”</a> section on page 5-4).
Step 4	<b>show cdp interface interface-type slot/port</b>  <b>Example:</b> switch(config-if)# <code>show cdp interface ethernet 1/2</code>	(Optional) Displays CDP information for an interface.
Step 5	<b>copy running-config startup-config</b>  <b>Example:</b> switch(config-if)# <code>copy running-config startup-config</code>	(Optional) Saves this configuration change.

This example shows how to disable CDP on Ethernet 1/2:

```
switch# config t
Enter configuration commands, one per line. End with CNTL/Z.
switch(config)# interface ethernet 1/2
switch(config-if)# no cdp enable
switch(config-if)# copy running-config startup-config
```

This example shows how to enable CDP on port channel 2:

```
switch# config t
Enter configuration commands, one per line. End with CNTL/Z.
switch(config)# interface port-channel 2
switch(config-if)# cdp enable
switch(config-if)# copy running-config startup-config
```

***Send document comments to [nexus7k-docfeedback@cisco.com](mailto:nexus7k-docfeedback@cisco.com).***

## Configuring Optional CDP Parameters

You can use the following optional commands in global configuration mode to modify CDP:

Command	Purpose
<b>cdp advertise</b> {v1   v2}  <b>Example:</b> switch(config)# cdp advertise v1	Sets the CDP version supported by the device. The default is v2.
<b>cdp format device-id</b> {mac-address   serial-number   system-name}  <b>Example:</b> switch(config)# cdp format device-id mac-address	Sets the CDP device ID. The options are as follows: <ul style="list-style-type: none"> <li>mac-address—MAC address of the chassis.</li> <li>serial-number—Chassis serial number/Organizationally Unique Identifier (OUI)</li> <li>system-name—The system name or fully qualified domain name.</li> </ul> The default is system-name.
<b>cdp holdtime</b> seconds  <b>Example:</b> switch(config)# cdp holdtime 150	Sets the time that CDP holds onto neighbor information before removing it. The range is from 10 to 255 seconds. The default is 180 seconds.
<b>cdp timer</b> seconds  <b>Example:</b> switch(config)# cdp timer 50	Sets the refresh time when CDP sends advertisements to neighbors. The range is from 5 to 254 seconds. The default is 60 seconds.

## Verifying the CDP Configuration

To display the CDP configuration, perform one of the following tasks:

Command	Purpose
<b>show cdp all</b>	Displays all interfaces that have CDP enabled.
<b>show cdp entry</b> {all   name entry-name}	Displays the CDP database entries.
<b>show cdp global</b>	Displays the CDP global parameters.
<b>show cdp interface</b> interface-type slot/port	Displays the CDP interface status.
<b>show cdp neighbors</b> {device-id   interface interface-type slot/port} [detail]	Displays the CDP neighbor status.
<b>show cdp traffic interface</b> interface-type slot/port	Displays the CDP traffic statistics on an interface.

Use the **clear cdp counters** command to clear CDP statistics on an interface.

Use the **clear cdp table** command to clear the CDP cache for one or all interfaces.

***Send document comments to [nexus7k-docfeedback@cisco.com](mailto:nexus7k-docfeedback@cisco.com).***

## Configuration Example for CDP

This example shows how to enable the CDP feature and configure the refresh and hold timers:

```
config t
cdp enable
cdp timer 50
cdp holdtime 100
```

## Additional References

For additional information related to implementing CDP, see the following sections:

- [Related Documents, page 5-8](#)
- [MIBs, page 5-8](#)

## Related Documents

Related Topic	Document Title
CDP CLI commands	<i>Cisco Nexus 7000 Series NX-OS System Management Command Reference</i>
VDCs and VRFs	<i>Cisco Nexus 7000 Series NX-OS Virtual Device Context Configuration Guide, Release 5.x</i>

## MIBs

MIBs	MIBs Link
<ul style="list-style-type: none"> <li>• CISCO-CDP-MIB</li> </ul>	To locate and download MIBs, go to the following URL: <a href="http://www.cisco.com/public/sw-center/netmgmt/cmtk/mibs.shtml">http://www.cisco.com/public/sw-center/netmgmt/cmtk/mibs.shtml</a>



***Send document comments to [nexus7k-docfeedback@cisco.com](mailto:nexus7k-docfeedback@cisco.com).***

## Feature History for CDP

Table 5-2 lists the release history for this feature.

**Table 5-2**      *Feature History for CDP*

<b>Feature Name</b>	<b>Releases</b>	<b>Feature Information</b>
CDP	5.2(1)	No change from Release 5.1.
CDP	5.1(1)	No change from Release 5.0.
CDP	5.0(2)	No change from Release 4.2.
CDP support for VTP domain name	4.2(1)	CDP advertises the VLAN Trunking Protocol (VTP) type-length-value field (TLV) in CDP version-2 packets. See <a href="#">VTP Feature Support, page 5-2</a> .

***Send document comments to [nexus7k-docfeedback@cisco.com](mailto:nexus7k-docfeedback@cisco.com).***



## CHAPTER 6

# Configuring System Message Logging

---

This chapter describes how to configure system message logging on Cisco NX-OS devices.

This chapter includes the following sections:

- [Information About System Message Logging, page 6-1](#)
- [Licensing Requirements for System Message Logging, page 6-3](#)
- [Guidelines and Limitations, page 6-3](#)
- [Default Settings, page 6-3](#)
- [Configuring System Message Logging, page 6-3](#)
- [Verifying the System Message Logging Configuration, page 6-11](#)
- [Configuration Example for System Message Logging, page 6-12](#)
- [Additional References, page 6-12](#)
- [Feature History for System Message Logging, page 6-13](#)

## Information About System Message Logging

You can use system message logging to control the destination and to filter the severity level of messages that system processes generate. You can configure logging to terminal sessions, a log file, and syslog servers on remote systems.

System message logging is based on [RFC 3164](#). For more information about the system message format and the messages that the device generates, see the *Cisco NX-OS System Messages Reference*.

By default, the device outputs messages to terminal sessions. For information about configuring logging to terminal sessions, see the “[Configuring System Message Logging to Terminal Sessions](#)” section on [page 6-4](#).

By default, the device logs system messages to a log file. For information about configuring logging to a file, see the “[Logging System Messages to a File](#)” section on [page 6-5](#).

[Table 6-1](#) describes the severity levels used in system messages. When you configure the severity level, the system outputs messages at that level and lower.

**[Send document comments to nexus7k-docfeedback@cisco.com.](mailto:nexus7k-docfeedback@cisco.com)**

**Table 6-1 System Message Severity Levels**

Level	Description
0 – emergency	System unusable
1 – alert	Immediate action needed
2 – critical	Critical condition
3 – error	Error condition
4 – warning	Warning condition
5 – notification	Normal but significant condition
6 – informational	Informational message only
7 – debugging	Appears during debugging only

The device logs the most recent 100 messages of severity 0, 1, or 2 to the NVRAM log. You cannot configure logging to the NVRAM.

You can configure which system messages should be logged based on the facility that generated the message and its severity level. For information about facilities, see the *Cisco Nexus 7000 Series NX-OS System Management Command Reference*. For information about configuring the severity level by module and facility, see the “[Configuring Module and Facility Messages Logged](#)” section on page 6-7.

This section includes the following topics:

- [syslog Servers, page 6-2](#)
- [Virtualization Support, page 6-2](#)

## syslog Servers

The syslog servers run on remote systems that log system messages based on the syslog protocol. You can configure up to eight IPv4 or IPv6 syslog servers. For information about configuring syslog servers, see the “[Configuring syslog Servers](#)” section on page 6-8.



### Note

When the device first initializes, messages are sent to syslog servers only after the network is initialized.

## Virtualization Support

A virtual device context (VDC) is a logical representation of a set of system resources. System message logging applies only to the VDC where commands are entered.

For information about configuring VDCs, see the *Cisco Nexus 7000 Series NX-OS Virtual Device Context Configuration Guide, Release 5.x*.

***Send document comments to [nexus7k-docfeedback@cisco.com](mailto:nexus7k-docfeedback@cisco.com).***

# Licensing Requirements for System Message Logging

Product	License Requirement
Cisco NX-OS	System message logging requires no license. Any feature not included in a license package is bundled with the Cisco NX-OS system images and is provided at no extra charge to you. For a complete explanation of the Cisco NX-OS licensing scheme, see the <i>Cisco NX-OS Licensing Guide</i> .

## Guidelines and Limitations

System messages are logged to the console and the logfile by default.

## Default Settings

Table 6-2 lists the default settings for system message logging parameters.

**Table 6-2** Default System Message Logging Parameters

Parameters	Default
Console logging	Enabled at severity level 2
Monitor logging	Enabled at severity level 5
Log file logging	Enabled to log messages at severity level 5
Module logging	Enabled at severity level 5
Facility logging	Enabled; for severity levels, see the <i>Cisco Nexus 7000 Series NX-OS System Management Command Reference</i>
Time-stamp units	Seconds
syslog server logging	Disabled

## Configuring System Message Logging

This section includes the following topics:

- [Configuring System Message Logging to Terminal Sessions, page 6-4](#)
- [Logging System Messages to a File, page 6-5](#)
- [Configuring Module and Facility Messages Logged, page 6-7](#)
- [Configuring syslog Servers, page 6-8](#)
- [Displaying and Clearing Log Files, page 6-10](#)



### Note

Be aware that the Cisco NX-OS commands for this feature may differ from those commands used in Cisco IOS.

***Send document comments to [nexus7k-docfeedback@cisco.com](mailto:nexus7k-docfeedback@cisco.com).***

## Configuring System Message Logging to Terminal Sessions

You can configure the device to log messages by their severity level to console, Telnet, and SSH sessions. By default, logging is enabled for terminal sessions.



**Tip**

The current critical (default) logging level is maintained if the console baud speed is 9600 baud (default). All attempts to change the console logging level generate an error message. To increase the logging level (above critical), you must change the console baud speed to 38400 baud.

### BEFORE YOU BEGIN

Make sure that you are in the correct VDC. To change the VDC, use the **switchto vdc** command.

### SUMMARY STEPS

1. **terminal monitor**
2. **config t**
3. **logging console** [*severity-level*]  
**no logging console**
4. **show logging console**
5. **logging monitor** [*severity-level*]  
**no logging monitor**
6. **show logging monitor**
7. **logging message interface type ethernet description**  
**no logging message interface type ethernet description**
8. **copy running-config startup-config**

	Command	Purpose
Step 1	<b>terminal monitor</b>  <b>Example:</b> switch# terminal monitor	Enables the device to log messages to the console.
Step 2	<b>config t</b>  <b>Example:</b> switch# config t Enter configuration commands, one per line. End with CNTL/Z. switch(config)#	Places you in global configuration mode.

***Send document comments to [nexus7k-docfeedback@cisco.com](mailto:nexus7k-docfeedback@cisco.com).***

	Command	Purpose
Step 3	<b>logging console</b> [severity-level]  <b>Example:</b> switch(config)# logging console 3	Configures the device to log messages to the console session based on a specified severity level or higher. Severity levels, which can range from 0 to 7, are listed in <a href="#">Table 6-1</a> . If the severity level is not specified, the default of 2 is used.
	<b>no logging console</b> [severity-level]  <b>Example:</b> switch(config)# no logging console	Disables the device's ability to log messages to the console.
Step 4	<b>show logging console</b>  <b>Example:</b> switch(config)# show logging console	(Optional) Displays the console logging configuration.
Step 5	<b>logging monitor</b> [severity-level]  <b>Example:</b> switch(config)# logging monitor 3	Enables the device to log messages to the monitor based on a specified severity level or higher. The configuration applies to Telnet and SSH sessions. Severity levels, which can range from 0 to 7, are listed in <a href="#">Table 6-1</a> . If the severity level is not specified, the default of 2 is used.
	<b>no logging monitor</b> [severity-level]  <b>Example:</b> switch(config)# no logging monitor	Disables logging messages to Telnet and SSH sessions.
Step 6	<b>show logging monitor</b>  <b>Example:</b> switch(config)# show logging monitor	(Optional) Displays the monitor logging configuration.
Step 7	<b>logging message interface type ethernet description</b>  <b>Example:</b> switch(config)# logging message interface type ethernet description	Enables you to add the description for physical Ethernet interfaces and subinterfaces in the system message log. The description is the same description that was configured on the interface.
	<b>no logging message interface type ethernet description</b>  <b>Example:</b> switch(config)# no logging message interface type ethernet description	Disables the printing of the interface description in the system message log for physical Ethernet interfaces.
Step 8	<b>copy running-config startup-config</b>  <b>Example:</b> switch(config)# copy running-config startup-config	(Optional) Copies the running configuration to the startup configuration.

## Logging System Messages to a File

You can configure the device to log system messages to a file. By default, system messages are logged to the file log:messages.

For information about displaying and clearing log files, see the [“Displaying and Clearing Log Files” section on page 6-10](#).

***Send document comments to [nexus7k-docfeedback@cisco.com](mailto:nexus7k-docfeedback@cisco.com).***

## BEFORE YOU BEGIN

Make sure that you are in the correct VDC. To change the VDC, use the **switchto vdc** command.

## SUMMARY STEPS

1. **config t**
2. **logging logfile** *logfile-name severity-level [size bytes]*  
**no logging logfile** [*logfile-name severity-level [size bytes]*]
3. **logging event** {**link-status** | **trunk-status**} {**enable** | **default**}
4. **show logging info**
5. **copy running-config startup-config**

	Command	Purpose
Step 1	<b>config t</b>  <b>Example:</b> switch# config t Enter configuration commands, one per line. End with CNTL/Z. switch(config)#	Places you in global configuration mode.
Step 2	<b>logging logfile</b> <i>logfile-name severity-level [size bytes]</i>  <b>Example:</b> switch(config)# logging logfile my_log 6	Configures the name of the log file used to store system messages and the minimum severity level to log. You can optionally specify a maximum file size. The default severity level is 5 and the file size is 10485760. Severity levels are listed in <a href="#">Table 6-1</a> . The file size is from 4096 to 10485760 bytes.
	<b>no logging logfile</b> [ <i>logfile-name severity-level [size bytes]</i> ]  <b>Example:</b> switch(config)# no logging logfile	Disables logging to the log file.
Step 3	<b>logging event</b> { <b>link-status</b>   <b>trunk-status</b> } { <b>enable</b>   <b>default</b> }	Logs interface events. <ul style="list-style-type: none"> <li>• <b>link-status</b>—Logs all UP/DOWN and CHANGE messages.</li> <li>• <b>trunk-status</b>—Logs all TRUNK status messages.</li> <li>• <b>enable</b>—Specifies to enable logging to override the port level configuration.</li> <li>• <b>default</b>—Specifies that the default logging configuration is used by interfaces not explicitly configured.</li> </ul>
Step 4	<b>show logging info</b>  <b>Example:</b> switch(config)# show logging info	(Optional) Displays the logging configuration.



**Send document comments to [nexus7k-docfeedback@cisco.com](mailto:nexus7k-docfeedback@cisco.com).**

	Command	Purpose
Step 5	<b>copy running-config startup-config</b>  <b>Example:</b> switch(config)# copy running-config startup-config	(Optional) Copies the running configuration to the startup configuration.

## Configuring Module and Facility Messages Logged

You can configure the severity level and time-stamp units of messages logged by modules and facilities.

### BEFORE YOU BEGIN

Make sure that you are in the correct VDC. To change the VDC, use the **switchto vdc** command.

### SUMMARY STEPS

1. **config t**
2. **logging module** *[severity-level]*  
**no logging module**
3. **show logging module**
4. **logging level** *facility severity-level*  
**no logging level** *[facility severity-level]*
5. **show logging level** *[facility]*
6. **logging timestamp** {microseconds | milliseconds | seconds}  
**no logging timestamp** {microseconds | milliseconds | seconds}
7. **show logging timestamp**
8. **copy running-config startup-config**

	Command	Purpose
Step 1	<b>config t</b>  <b>Example:</b> switch# config t Enter configuration commands, one per line. End with CNTL/Z. switch(config)#	Places you in global configuration mode.
Step 2	<b>logging module</b> <i>[severity-level]</i>  <b>Example:</b> switch(config)# logging module 3	Enables module log messages that have the specified severity level or higher. Severity levels, which range from 0 to 7, are listed in <a href="#">Table 6-1</a> . If the severity level is not specified, the default of 5 is used.
	<b>no logging module</b> <i>[severity-level]</i>  <b>Example:</b> switch(config)# no logging module	Disables module log messages.

**Send document comments to [nexus7k-docfeedback@cisco.com](mailto:nexus7k-docfeedback@cisco.com).**

	Command	Purpose
Step 3	<b>show logging module</b>  <b>Example:</b> switch(config)# show logging module	(Optional) Displays the module logging configuration.
Step 4	<b>logging level facility severity-level</b>  <b>Example:</b> switch(config)# logging level aaa 2	Enables logging messages from the specified facility that have the specified severity level or higher. The facilities are listed in the <i>Cisco Nexus 7000 Series NX-OS System Management Command Reference</i> . Severity levels, which range from 0 to 7, are listed in <a href="#">Table 6-1</a> . To apply the same severity level to all facilities, use the <b>all</b> facility. For defaults, see the <b>show logging level</b> command.
	<b>no logging level [facility severity-level]</b>  <b>Example:</b> switch(config)# no logging level aaa 3	Resets the logging severity level for the specified facility to its default level. If you do not specify a facility and severity level, the device resets all facilities to their default levels.
Step 5	<b>show logging level [facility]</b>  <b>Example:</b> switch(config)# show logging level aaa	(Optional) Displays the logging level configuration and the system default level by facility. If you do not specify a facility, the device displays levels for all facilities.
Step 6	<b>logging timestamp {microseconds   milliseconds   seconds}</b>  <b>Example:</b> switch(config)# logging timestamp milliseconds	Sets the logging time-stamp units. By default, the units are seconds.  <b>Note</b> This command applies to logs that are kept in the switch. It does not apply to the external logging server.
	<b>no logging timestamp {microseconds   milliseconds   seconds}</b>  <b>Example:</b> switch(config)# no logging timestamp milliseconds	Resets the logging time-stamp units to the default of seconds.  <b>Note</b> This command applies to logs that are kept in the switch. It does not apply to the external logging server.
Step 7	<b>show logging timestamp</b>  <b>Example:</b> switch(config)# show logging timestamp	(Optional) Displays the logging time-stamp units configured.
Step 8	<b>copy running-config startup-config</b>  <b>Example:</b> switch(config)# copy running-config startup-config	(Optional) Copies the running configuration to the startup configuration.

## Configuring syslog Servers

You can configure up to eight syslog servers that reference remote systems where you want to log system messages.

**Send document comments to [nexus7k-docfeedback@cisco.com](mailto:nexus7k-docfeedback@cisco.com).**

**Note**

We recommend that you configure the syslog server to use the management virtual routing and forwarding (VRF) instance. For more information on VRFs, see the *Cisco Nexus 7000 Series NX-OS Unicast Routing Configuration Guide, Release 5.x*.

**BEFORE YOU BEGIN**

Make sure that you are in the correct VDC. To change the VDC, use the **switchto vdc** command.

**SUMMARY STEPS**

1. **config t**
2. **logging server host** [*severity-level* [**use-vrf vrf-name**]]  
**no logging server host**
3. **logging source-interface loopback virtual-interface**
4. **show logging server**
5. **copy running-config startup-config**

	Command	Purpose
Step 1	<b>config t</b>  <b>Example:</b> switch# config t Enter configuration commands, one per line. End with CNTL/Z. switch(config)#	Places you in global configuration mode.
Step 2	<b>logging server host</b> [ <i>severity-level</i> [ <b>use-vrf vrf-name</b> ]]  <b>Example 1:</b> switch(config)# logging server 192.0.2.253  <b>Example 2:</b> switch(config)# logging server 2001::)db*::3 5 use-vrf red	Configures a syslog server at the specified hostname or IPv4 or IPv6 address. You can limit logging of messages to a particular VRF by using the <b>use-vrf</b> keyword. In Cisco NX-OS Release 4.2 or higher, the default VRF is default. Severity levels, which range from 0 to 7, are listed in <a href="#">Table 6-1</a> . The default outgoing facility is local7.  Example 1 forwards all messages on facility local 7. Example 2 forwards messages with severity level 5 or lower for VRF red.
	<b>no logging server host</b>  <b>Example:</b> switch(config)# no logging server host	Removes the logging server for the specified host.
Step 3	<b>logging source-interface loopback virtual-interface</b>  <b>Example:</b> switch(config)# logging source-interface loopback 5	Enables a source interface for the remote syslog server. The range for the <i>virtual-interface</i> argument is from 0 to 1023.
Step 4	<b>show logging server</b>  <b>Example:</b> switch(config)# show logging server	(Optional) Displays the syslog server configuration.

**Send document comments to [nexus7k-docfeedback@cisco.com](mailto:nexus7k-docfeedback@cisco.com).**

	Command	Purpose
Step 5	<pre>copy running-config startup-config</pre> <p><b>Example:</b>  <pre>switch(config)# copy running-config startup-config</pre></p>	(Optional) Copies the running configuration to the startup configuration.

You can configure a syslog server on a UNIX or Linux system by adding the following line to the `/etc/syslog.conf` file:

```
facility.level <five tab characters> action
```

Table 6-3 describes the syslog fields that you can configure.

**Table 6-3** *syslog Fields in syslog.conf*

Field	Description
Facility	<p>Creator of the message, which can be <code>auth</code>, <code>authpriv</code>, <code>cron</code>, <code>daemon</code>, <code>kern</code>, <code>lpr</code>, <code>mail</code>, <code>mark</code>, <code>news</code>, <code>syslog</code>, <code>user</code>, <code>local0</code> through <code>local7</code>, or an asterisk (*) for all. These facility designators allow you to control the destination of messages based on their origin.</p> <p><b>Note</b> Check your configuration before using a local facility.</p>
Level	<p>Minimum severity level at which messages are logged, which can be <code>debug</code>, <code>info</code>, <code>notice</code>, <code>warning</code>, <code>err</code>, <code>crit</code>, <code>alert</code>, <code>emerg</code>, or an asterisk (*) for all. You can use <code>none</code> to disable a facility.</p>
Action	<p>Destination for messages, which can be a filename, a hostname preceded by the at sign (@), a comma-separated list of users, or an asterisk (*) for all logged-in users.</p>

To configure a syslog server on a UNIX or Linux system, follow these steps:

- 
- Step 1** Log debug messages with the `local7` facility in the file `/var/log/myfile.log` by adding the following line to the `/etc/syslog.conf` file:
- ```
debug.local7 /var/log/myfile.log
```
- Step 2** Create the log file by entering these commands at the shell prompt:
- ```
$ touch /var/log/myfile.log
$ chmod 666 /var/log/myfile.log
```
- Step 3** Make sure the system message logging daemon reads the new changes by checking `myfile.log` after entering this command:
- ```
$ kill -HUP ~cat /etc/syslog.pid~
```
- 

## Displaying and Clearing Log Files

You can display or clear messages in the log file and the NVRAM.

### BEFORE YOU BEGIN

Make sure that you are in the correct VDC. To change the VDC, use the `switchto vdc` command.

***Send document comments to [nexus7k-docfeedback@cisco.com](mailto:nexus7k-docfeedback@cisco.com).***

## SUMMARY STEPS

1. **show logging last** *number-lines*
2. **show logging logfile** [**start-time** *yyyy mmm dd hh:mm:ss*] [**end-time** *yyyy mmm dd hh:mm:ss*]
3. **show logging nvram** [**last** *number-lines*]
4. **clear logging logfile**
5. **clear logging nvram**

|        | Command                                                                                                                                                                                                            | Purpose                                                                                                                                                                                                                                            |
|--------|--------------------------------------------------------------------------------------------------------------------------------------------------------------------------------------------------------------------|----------------------------------------------------------------------------------------------------------------------------------------------------------------------------------------------------------------------------------------------------|
| Step 1 | <b>show logging last</b> <i>number-lines</i><br><br><b>Example:</b><br>switch# show logging last 40                                                                                                                | Displays the last number of lines in the logging file. You can specify from 1 to 9999 for the last number of lines.                                                                                                                                |
| Step 2 | <b>show logging logfile</b> [ <b>start-time</b> <i>yyyy mmm dd hh:mm:ss</i> ] [ <b>end-time</b> <i>yyyy mmm dd hh:mm:ss</i> ]<br><br><b>Example:</b><br>switch# show logging logfile start-time 2007 nov 1 15:10:0 | Displays the messages in the log file that have a time stamp within the span entered. If you do not enter an end time, the current time is used. You enter three characters for the month time field, and digits for the year and day time fields. |
| Step 3 | <b>show logging nvram</b> [ <b>last</b> <i>number-lines</i> ]<br><br><b>Example:</b><br>switch# show logging nvram last 10                                                                                         | Displays the messages in the NVRAM. To limit the number of lines displayed, you can enter the last number of lines to display. You can specify from 1 to 100 for the last number of lines.                                                         |
| Step 4 | <b>clear logging logfile</b><br><br><b>Example:</b><br>switch# clear logging logfile                                                                                                                               | Clears the contents of the log file.                                                                                                                                                                                                               |
| Step 5 | <b>clear logging nvram</b><br><br><b>Example:</b><br>switch# clear logging nvram                                                                                                                                   | Clears the logged messages in NVRAM.                                                                                                                                                                                                               |

## Verifying the System Message Logging Configuration

To display system message logging configuration information, perform one of the following tasks:

| Command                                                                                                                       | Purpose                                                     |
|-------------------------------------------------------------------------------------------------------------------------------|-------------------------------------------------------------|
| <b>show logging console</b>                                                                                                   | Displays the console logging configuration.                 |
| <b>show logging info</b>                                                                                                      | Displays the logging configuration.                         |
| <b>show logging last</b> <i>number-lines</i>                                                                                  | Displays the last number of lines of the log file.          |
| <b>show logging level</b> [ <i>facility</i> ]                                                                                 | Displays the facility logging severity level configuration. |
| <b>show logging logfile</b> [ <b>start-time</b> <i>yyyy mmm dd hh:mm:ss</i> ] [ <b>end-time</b> <i>yyyy mmm dd hh:mm:ss</i> ] | Displays the messages in the log file.                      |
| <b>show logging module</b>                                                                                                    | Displays the module logging configuration.                  |
| <b>show logging monitor</b>                                                                                                   | Displays the monitor logging configuration.                 |

**Send document comments to [nexus7k-docfeedback@cisco.com](mailto:nexus7k-docfeedback@cisco.com).**

| Command                                             | Purpose                                                                                                                                                                  |
|-----------------------------------------------------|--------------------------------------------------------------------------------------------------------------------------------------------------------------------------|
| <code>show logging nvram [last number-lines]</code> | Displays the messages in the NVRAM log.                                                                                                                                  |
| <code>show logging server</code>                    | Displays the syslog server configuration.                                                                                                                                |
| <code>show logging timestamp</code>                 | Displays the logging time-stamp units configuration.<br><br><b>Example:</b><br>switch(config)# show logging timestamp<br>Logging timestamp:                      Seconds |

For detailed information about the fields in the output from these commands, see the *Cisco Nexus 7000 Series NX-OS System Management Command Reference*.

## Configuration Example for System Message Logging

This example shows how to configure system message logging:

```
config t
 logging console 3
 logging monitor 3
 logging logfile my_log 6
 logging module 3
 logging level aaa 2
 logging timestamp milliseconds
 logging server 172.28.254.253
 logging server 172.28.254.254 5 facility local3
 copy running-config startup-config
```

## Additional References

For additional information related to implementing system message logging, see the following sections:

- [Related Documents, page 6-12](#)
- [Standards, page 6-13](#)

## Related Documents

| Related Topic                | Document Title                                                           |
|------------------------------|--------------------------------------------------------------------------|
| System messages CLI commands | <i>Cisco Nexus 7000 Series NX-OS System Management Command Reference</i> |
| System messages              | <i>Cisco NX-OS System Messages Reference</i>                             |

***Send document comments to [nexus7k-docfeedback@cisco.com](mailto:nexus7k-docfeedback@cisco.com).***

## Standards

| Standards                                                                                                                             | Title |
|---------------------------------------------------------------------------------------------------------------------------------------|-------|
| No new or modified standards are supported by this feature, and support for existing standards has not been modified by this feature. | —     |

## Feature History for System Message Logging

Table 6-4 lists the release history for this feature.

**Table 6-4** Feature History for System Message Logging

| Feature Name           | Releases | Feature Information                                                                                                    |
|------------------------|----------|------------------------------------------------------------------------------------------------------------------------|
| System message logging | 5.2(1)   | Added the ability to add the description for physical Ethernet interfaces and subinterfaces in the system message log. |
| Syslog servers         | 5.1(1)   | Increased the number of supported syslog servers from three to eight.                                                  |
| IPv6 support           | 4.2(1)   | Added support for IPv6 syslog hosts.                                                                                   |
| System message logging | 4.0(1)   | This feature was introduced.                                                                                           |

***Send document comments to [nexus7k-docfeedback@cisco.com](mailto:nexus7k-docfeedback@cisco.com).***





## CHAPTER 7

# Configuring Smart Call Home

---

This chapter describes how to configure the Smart Call Home feature of the Cisco NX-OS devices.

This chapter includes the following sections:

- [Information About Smart Call Home, page 7-1](#)
- [Licensing Requirements for Smart Call Home, page 7-8](#)
- [Prerequisites for Smart Call Home, page 7-8](#)
- [Guidelines and Limitations, page 7-8](#)
- [Default Settings, page 7-9](#)
- [Configuring Smart Call Home, page 7-9](#)
- [Verifying the Smart Call Home Configuration, page 7-27](#)
- [Configuration Example for Smart Call Home, page 7-28](#)
- [Additional References, page 7-28](#)
- [Feature History for Smart Call Home, page 7-40](#)

## Information About Smart Call Home

This section includes the following topics:

- [Smart Call Home Overview, page 7-2](#)
- [Destination Profiles, page 7-2](#)
- [Smart Call Home Alert Groups, page 7-3](#)
- [Smart Call Home Message Urgency Levels, page 7-5](#)
- [Obtaining Smart Call Home, page 7-6](#)
- [Distributing Smart Call Home Using CFS, page 7-7](#)
- [Database Merge Guidelines, page 7-7](#)
- [High Availability, page 7-7](#)
- [Virtualization Support, page 7-7](#)

***Send document comments to [nexus7k-docfeedback@cisco.com](mailto:nexus7k-docfeedback@cisco.com).***

## Smart Call Home Overview

Smart Call Home provides an e-mail-based notification for critical system policies. A range of message formats are available for compatibility with pager services, standard e-mail, or XML-based automated parsing applications. You can use this feature to page a network support engineer, e-mail a Network Operations Center, or use Cisco Smart Call Home services to automatically generate a case with the Technical Assistance Center.

Smart Call Home provides the following:

- Automatic execution and attachment of relevant CLI command output.
- Multiple message format options such as the following:
  - Short Text—Suitable for pagers or printed reports.
  - Full Text—Fully formatted message information suitable for human reading.
  - XML—Machine-readable format that uses Extensible Markup Language (XML) and Adaptive Messaging Language (AML) XML schema definition (XSD). The AML XSD is published on the Cisco.com website at <http://www.cisco.com/>. The XML format enables communication with the Cisco Systems Technical Assistance Center.
- Multiple concurrent message destinations. You can configure up to 50 e-mail destination addresses for each destination profile.

## Destination Profiles

A destination profile includes the following information:

- One or more alert groups—The group of alerts that trigger a specific Smart Call Home message if the alert occurs.
- One or more e-mail destinations—The list of recipients for the Smart Call Home messages generated by alert groups assigned to this destination profile.
- Message format—The format for the Smart Call Home message (short text, full text, or XML).
- Message severity level—The Smart Call Home severity level that the alert must meet before Cisco NX-OS generates a Smart Call Home message to all e-mail addresses in the destination profile. For more information about Smart Call Home severity levels, see the “[Smart Call Home Message Urgency Levels](#)” section on page 7-5. Cisco NX-OS does not generate an alert if the Smart Call Home severity level of the alert is lower than the message severity level set for the destination profile.

You can also configure a destination profile to allow periodic inventory update messages by using the inventory alert group that will send out periodic messages daily, weekly, or monthly.

Cisco NX-OS supports the following predefined destination profiles:

- CiscoTAC-1—Supports the Cisco-TAC alert group in XML message format. This profile is preconfigured with the [callhome@cisco.com](mailto:callhome@cisco.com) e-mail contact, maximum message size, and message severity level 0. You cannot change any of the default information for this profile.
- full-text-destination—Supports the full text message format.
- short-text-destination—Supports the short text message format.

See the “[Message Formats](#)” section on page 7-30 for more information about the message formats.

***Send document comments to [nexus7k-docfeedback@cisco.com](mailto:nexus7k-docfeedback@cisco.com).***

## Smart Call Home Alert Groups

An alert group is a predefined subset of Smart Call Home alerts that are supported in all Cisco NX-OS devices. Alert groups allow you to select the set of Smart Call Home alerts that you want to send to a predefined or custom destination profile. Cisco NX-OS sends Smart Call Home alerts to e-mail destinations in a destination profile only if that Smart Call Home alert belongs to one of the alert groups associated with that destination profile and if the alert has a Smart Call Home message severity at or above the message severity set in the destination profile (see the “[Smart Call Home Message Urgency Levels](#)” section on page 7-5).

Table 7-1 lists supported alert groups and the default CLI command output included in Smart Call Home messages generated for the alert group.

**Table 7-1 Alert Groups and Executed Commands**

| Alert Group   | Description                                                                                | Executed Commands                                                                                                                                                                                                                                                                                                                                                                                        |
|---------------|--------------------------------------------------------------------------------------------|----------------------------------------------------------------------------------------------------------------------------------------------------------------------------------------------------------------------------------------------------------------------------------------------------------------------------------------------------------------------------------------------------------|
| Cisco-TAC     | All critical alerts from the other alert groups destined for Smart Call Home.              | Execute commands based on the alert group that originates the alert.                                                                                                                                                                                                                                                                                                                                     |
| Configuration | Periodic events related to configuration.                                                  | <b>show module</b><br><b>show running-configuration vdc-all all</b><br><b>show startup-configuration vdc-all</b><br><b>show vdc current</b><br><b>show vdc membership</b><br><b>show version</b>                                                                                                                                                                                                         |
| Diagnostic    | Events generated by diagnostics.                                                           | <b>show diagnostic result module all detail</b><br><b>show diagnostic result module <i>number</i> detail</b><br><b>show hardware</b><br><b>show logging last 200</b><br><b>show module</b><br><b>show sprom all</b><br><b>show tech-support gold</b><br><b>show tech-support ha</b><br><b>show tech-support platform</b><br><b>show vdc current</b><br><b>show vdc membership</b><br><b>show version</b> |
| EEM           | Events generated by EEM.                                                                   | <b>show diagnostic result module all detail</b><br><b>show diagnostic result module <i>number</i> detail</b><br><b>show module</b><br><b>show tech-support gold</b><br><b>show tech-support ha</b><br><b>show tech-support platform</b><br><b>show vdc current</b><br><b>show vdc membership</b>                                                                                                         |
| Environmental | Events related to power, fan, and environment-sensing elements such as temperature alarms. | <b>show environment</b><br><b>show logging last 200</b><br><b>show module</b><br><b>show vdc current</b><br><b>show vdc membership</b><br><b>show version</b>                                                                                                                                                                                                                                            |

**[Send document comments to nexus7k-docfeedback@cisco.com.](mailto:nexus7k-docfeedback@cisco.com)**

**Table 7-1 Alert Groups and Executed Commands (continued)**

| <b>Alert Group</b>  | <b>Description</b>                                                                                                                                                                                            | <b>Executed Commands</b>                                                                                                                                                                                                                                                                                                                                                                                                                   |
|---------------------|---------------------------------------------------------------------------------------------------------------------------------------------------------------------------------------------------------------|--------------------------------------------------------------------------------------------------------------------------------------------------------------------------------------------------------------------------------------------------------------------------------------------------------------------------------------------------------------------------------------------------------------------------------------------|
| Inventory           | Inventory status that is provided whenever a unit is cold booted, or when FRUs are inserted or removed. This alert is considered a noncritical event, and the information is used for status and entitlement. | <b>show inventory</b><br><b>show license usage</b><br><b>show module</b><br><b>show system uptime</b><br><b>show sprom all</b><br><b>show vdc current</b><br><b>show vdc membership</b><br><b>show version</b>                                                                                                                                                                                                                             |
| License             | Events related to licensing and license violations.                                                                                                                                                           | <b>show license usage vdc all</b><br><b>show logging last 200</b><br><b>show vdc current</b><br><b>show vdc membership</b>                                                                                                                                                                                                                                                                                                                 |
| Linemodule hardware | Events related to standard or intelligent switching modules.                                                                                                                                                  | <b>show diagnostic result module all detail</b><br><b>show diagnostic result module <i>number</i> detail</b><br><b>show hardware</b><br><b>show logging last 200</b><br><b>show module</b><br><b>show sprom all</b><br><b>show tech-support ethpm</b><br><b>show tech-support gold</b><br><b>show tech-support ha</b><br><b>show tech-support platform</b><br><b>show vdc current</b><br><b>show vdc membership</b><br><b>show version</b> |
| Supervisor hardware | Events related to supervisor modules.                                                                                                                                                                         | <b>show diagnostic result module all detail</b><br><b>show hardware</b><br><b>show logging last 200</b><br><b>show module</b><br><b>show sprom all</b><br><b>show tech-support ethpm</b><br><b>show tech-support gold</b><br><b>show tech-support ha</b><br><b>show tech-support platform</b><br><b>show vdc current</b><br><b>show vdc membership</b><br><b>show version</b>                                                              |
| Syslog port group   | Events generated by the syslog PORT facility.                                                                                                                                                                 | <b>show license usage</b><br><b>show logging last 200</b><br><b>show vdc current</b><br><b>show vdc membership</b>                                                                                                                                                                                                                                                                                                                         |

***Send document comments to [nexus7k-docfeedback@cisco.com](mailto:nexus7k-docfeedback@cisco.com).***

**Table 7-1** Alert Groups and Executed Commands (continued)

| Alert Group | Description                                                                            | Executed Commands                                                                                                                                                                                                                                                                                                                                      |
|-------------|----------------------------------------------------------------------------------------|--------------------------------------------------------------------------------------------------------------------------------------------------------------------------------------------------------------------------------------------------------------------------------------------------------------------------------------------------------|
| System      | Events generated by a failure of a software system that is critical to unit operation. | <b>show diagnostic result module all detail</b><br><b>show hardware</b><br><b>show logging last 200</b><br><b>show module</b><br><b>show sprom all</b><br><b>show tech-support ethpm</b><br><b>show tech-support gold</b><br><b>show tech-support ha</b><br><b>show tech-support platform</b><br><b>show vdc current</b><br><b>show vdc membership</b> |
| Test        | User-generated test message.                                                           | <b>show module</b><br><b>show vdc current</b><br><b>show vdc membership</b><br><b>show version</b>                                                                                                                                                                                                                                                     |

Smart Call Home maps the syslog severity level to the corresponding Smart Call Home severity level for syslog port group messages (see the “[Smart Call Home Message Urgency Levels](#)” section on page 7-5).

You can customize predefined alert groups to execute additional CLI **show** commands when specific events occur and send that **show** output with the Smart Call Home message.

You can add **show** commands only to full text and XML destination profiles. Short text destination profiles do not support additional **show** commands because they only allow 128 bytes of text.

## Smart Call Home Message Urgency Levels

Smart Call Home allows you to filter messages based on urgency. You can associate each predefined or user-defined destination profile with a Smart Call Home threshold from 0 (least urgent) to 9 (most urgent). The default is 0 (all messages are sent).

Syslog severity levels are mapped to the Smart Call Home message level.



### Note

Smart Call Home does not change the syslog message level in the message text. The syslog messages in the Smart Call Home log appear as they are described in the *Cisco NX-OS System Messages Reference*.

[Table 7-2](#) lists each Smart Call Home message level keyword and the corresponding syslog level for the syslog port alert group.

**Table 7-2** Severity and syslog Level Mapping

| Smart Call Home Level | Keyword             | syslog Level  | Description                        |
|-----------------------|---------------------|---------------|------------------------------------|
| 9                     | <b>Catastrophic</b> | N/A           | Network-wide catastrophic failure. |
| 8                     | <b>Disaster</b>     | N/A           | Significant network impact.        |
| 7                     | <b>Fatal</b>        | Emergency (0) | System is unusable.                |

***Send document comments to [nexus7k-docfeedback@cisco.com](mailto:nexus7k-docfeedback@cisco.com).***

**Table 7-2 Severity and syslog Level Mapping (continued)**

| Smart Call Home Level | Keyword             | syslog Level    | Description                                                                          |
|-----------------------|---------------------|-----------------|--------------------------------------------------------------------------------------|
| 6                     | <b>Critical</b>     | Alert (1)       | Critical conditions that indicate that immediate attention is needed.                |
| 5                     | <b>Major</b>        | Critical (2)    | Major conditions.                                                                    |
| 4                     | <b>Minor</b>        | Error (3)       | Minor conditions.                                                                    |
| 3                     | <b>Warning</b>      | Warning (4)     | Warning conditions.                                                                  |
| 2                     | <b>Notification</b> | Notice (5)      | Basic notification and informational messages. Possibly independently insignificant. |
| 1                     | <b>Normal</b>       | Information (6) | Normal event signifying return to normal state.                                      |
| 0                     | <b>Debugging</b>    | Debug (7)       | Debugging messages.                                                                  |

## Obtaining Smart Call Home

If you have a service contract directly with Cisco, you can register for the Smart Call Home service. Smart Call Home analyzes Smart Call Home messages and provides background information and recommendations. For known issues, particularly online diagnostics failures, Automatic Service Requests are generated with the Cisco TAC.

Smart Call Home offers the following features:

- Continuous device health monitoring and real-time diagnostic alerts.
- Analysis of Smart Call Home messages and, if needed, Automatic Service Request generation, routed to the correct TAC team, including detailed diagnostic information to speed problem resolution.
- Secure message transport directly from your device or through an HTTP proxy server or a downloadable Transport Gateway (TG). You can use a TG aggregation point to support multiple devices or in cases where security dictates that your devices may not be connected directly to the Internet.
- Web-based access to Smart Call Home messages and recommendations, inventory, and configuration information for all Smart Call Home devices. Provides access to associated field notices, security advisories, and end-of-life information.

You need the following information to register:

- The SMARTnet contract number for your device
- Your e-mail address
- Your Cisco.com ID

For more information about Smart Call Home, see the following Smart Call Home page:

<http://www.cisco.com/go/smartcall/>

***Send document comments to [nexus7k-docfeedback@cisco.com](mailto:nexus7k-docfeedback@cisco.com).***

## Distributing Smart Call Home Using CFS

You can use Cisco Fabric Services (CFS) to distribute a Smart Call Home configuration to all CFS-enabled devices in the network. The entire Smart Call Home configuration is distributed except the device priority and the sysContact names.

For more information about CFS, see the “[Configuring CFS](#)” section on page 2-1.

## Database Merge Guidelines

When merging two Smart Call Home databases, the following guidelines apply:

- The merged database contains the following information:
  - A superset of all the destination profiles from the merging devices.
  - The destination profile e-mail addresses and alert groups.
  - Other configuration information (for example, message throttling, or periodic inventory) present in the managing device.
- Destination profile names cannot be duplicated within the merging devices—even though the configurations are different, the names cannot be duplicated. If a profile name is duplicated, one of the duplicate profiles must first be deleted or the merger fails.

## High Availability

Stateless restarts are supported for Smart Call Home. After a reboot or supervisor switchover, the running configuration is applied.

## Virtualization Support

One instance of Smart Call Home is supported per virtual device context (VDC). Smart Call Home uses the contact information from the first registered VDC as the administrator contact for all VDCs on the physical device. For example, if you want the Smart Call Home to use the contact information from the default VDC, you should register using that VDC. You can update this information at the Smart Call Home web site at the following URL:

<http://www.cisco.com/go/smartcall/>

Smart Call Home registers the contacts for all other VDCs as users that can see all the Smart Call Home data for the physical device but cannot act as administrators. All registered users and the registered administrator receive all Smart Call Home notifications from all VDCs on the physical device.

By default, you are placed in the default VDC. In the default VDC, you can test Smart Call Home using the **callhome send** and **callhome test** commands. In a nondefault VDC, only the **callhome test** command is available. For more information on VDCs, see the *Cisco Nexus 7000 Series NX-OS Virtual Device Context Configuration Guide*.

Smart Call Home is virtual routing and forwarding (VRF) aware. You can configure Smart Call Home to use a particular VRF to reach the Smart Call Home SMTP server.

**Send document comments to [nexus7k-docfeedback@cisco.com](mailto:nexus7k-docfeedback@cisco.com).**

## Licensing Requirements for Smart Call Home

| Product     | License Requirement                                                                                                                                                                                                                                                                      |
|-------------|------------------------------------------------------------------------------------------------------------------------------------------------------------------------------------------------------------------------------------------------------------------------------------------|
| Cisco NX-OS | Smart Call Home requires no license. Any feature not included in a license package is bundled with the Cisco NX-OS system images and is provided at no extra charge to you. For a complete explanation of the Cisco NX-OS licensing scheme, see the <i>Cisco NX-OS Licensing Guide</i> . |

## Prerequisites for Smart Call Home

Smart Call Home has the following prerequisites:

- To send messages to an e-mail address, you must first configure an e-mail server. To send messages using HTTP, you must have access to an HTTPS server and have a valid certificate installed on the Nexus device.
- Your device must have IP connectivity to an e-mail server or HTTPS server.
- You must first configure the contact name (SNMP server contact), phone, and street address information. This step is required to determine the origin of messages received.
- If you use Smart Call Home, you need an active service contract for the device that you are configuring.
- If you configure VDCs, install the Advanced Services license (see the *Cisco Nexus 7000 Series NX-OS Virtual Device Context Configuration Guide, Release 5.x*). This license is required for VDCs only, not for Smart Call Home.

## Guidelines and Limitations

Smart Call Home has the following configuration guidelines and limitations:

- If there is no IP connectivity or if the interface in the VRF to the profile destination is down, Smart Call Home messages cannot be sent.
- Smart Call Home operates with any SMTP server.
- You can configure up to five SMTP servers for Smart Call Home.
- If you distribute the Smart Call Home configuration using CFS, then the entire Smart Call Home configuration is distributed except device priority and the sysContact names.
- In a mixed fabric environment with CFS enabled, Cisco devices running Cisco NX-OS Release 5.x can distribute 5.x configurations (multiple SMTP server support, HTTP VRF support, and HTTP proxy support) to other 5.x devices in the fabric over CFS. However, if an existing device upgrades to 5.x, these new configurations are not distributed to that device because a CFS merge is not triggered upon an upgrade. Therefore, we recommend applying the new configurations only when all the devices in the fabric support them or performing an empty commit from an existing 5.x device (not the newly upgraded device) that has the new configurations.



***Send document comments to [nexus7k-docfeedback@cisco.com](mailto:nexus7k-docfeedback@cisco.com).***

## Default Settings

Table 7-3 lists the default settings for Smart Call Home parameters.

**Table 7-3**      **Default Smart Call Home Parameters**

| Parameters                                                       | Default                                                                                                                              |
|------------------------------------------------------------------|--------------------------------------------------------------------------------------------------------------------------------------|
| Destination message size for a message sent in full text format  | 2,500,000                                                                                                                            |
| Destination message size for a message sent in XML format        | 2,500,000                                                                                                                            |
| Destination message size for a message sent in short text format | 4000                                                                                                                                 |
| SMTP server port number if no port is specified                  | 25                                                                                                                                   |
| SMTP server priority if no priority is specified                 | 50                                                                                                                                   |
| Alert group association with profile                             | All for full-text-destination and short-text-destination profiles. The cisco-tac alert group for the CiscoTAC-1 destination profile. |
| Format type                                                      | XML                                                                                                                                  |
| Smart Call Home message level                                    | 0 (zero)                                                                                                                             |
| HTTP proxy server use                                            | Disabled and no proxy server configured                                                                                              |

## Configuring Smart Call Home



### Note

If you distribute the Smart Call Home configuration using CFS, see the “Configuring CFS” section on page 2-1.

This section includes the following topics:

- [Configuring Contact Information, page 7-10](#)
- [Creating a Destination Profile, page 7-12](#)
- [Modifying a Destination Profile, page 7-14](#)
- [Associating an Alert Group and a Destination Profile, page 7-16](#)
- [Adding show Commands to an Alert Group, page 7-18](#)
- [Configuring E-Mail, page 7-19](#)
- [Configuring VRFs To Send Messages Using HTTP, page 7-21](#)
- [Configuring an HTTP Proxy Server, page 7-23](#)
- [Configuring Periodic Inventory Notifications, page 7-24](#)
- [Disabling Duplicate Message Throttle, page 7-26](#)
- [Enabling or Disabling Smart Call Home, page 7-26](#)
- [Testing Smart Call Home Communications, page 7-27](#)

**[Send document comments to nexus7k-docfeedback@cisco.com.](mailto:nexus7k-docfeedback@cisco.com)**


**Note**

Be aware that the Cisco NX-OS commands may differ from the Cisco IOS commands.

We recommend that you complete the Smart Call Home configuration procedures in the following sequence:

1. [Configuring Contact Information, page 7-10](#)
2. [Creating a Destination Profile, page 7-12](#)
3. [Associating an Alert Group and a Destination Profile, page 7-16](#)
4. (Optional) [Adding show Commands to an Alert Group, page 7-18](#)
5. (Optional) [Creating and Distributing a CFS Configuration, page 2-27](#)
6. [Enabling or Disabling Smart Call Home, page 7-26](#)
7. (Optional) [Testing Smart Call Home Communications, page 7-27](#)

## Configuring Contact Information

You can configure the contact information for Smart Call Home.

### BEFORE YOU BEGIN

Make sure that you are in the correct VDC. To change the VDC, use the **switchto vdc** command.

### SUMMARY STEPS

1. **config t**
2. **snmp-server contact** *sys-contact*
3. **callhome**
4. **email-contact** *email-address*
5. **phone-contact** *international-phone-number*
6. **streetaddress** *address*
7. **contract-id** *contract-number*
8. **customer-id** *customer-number*
9. **site-id** *site-number*
10. **switch-priority** *number*
11. **commit**
12. **show callhome**
13. **copy running-config startup-config**

***Send document comments to [nexus7k-docfeedback@cisco.com](mailto:nexus7k-docfeedback@cisco.com).***

## DETAILED STEPS

|        | Command                                                                                                                                       | Purpose                                                                                                                                                                                                                                                                             |
|--------|-----------------------------------------------------------------------------------------------------------------------------------------------|-------------------------------------------------------------------------------------------------------------------------------------------------------------------------------------------------------------------------------------------------------------------------------------|
| Step 1 | <b>config t</b><br><br><b>Example:</b><br>switch# config t<br>Enter configuration commands, one per line. End with CNTL/Z.<br>switch(config)# | Places you in global configuration mode.                                                                                                                                                                                                                                            |
| Step 2 | <b>snmp-server contact</b> <i>sys-contact</i><br><br><b>Example:</b><br>switch(config)# snmp-server contact<br>personname@companyname.com     | Configures the SNMP sysContact.                                                                                                                                                                                                                                                     |
| Step 3 | <b>callhome</b><br><br><b>Example:</b><br>switch(config)# callhome<br>switch(config-callhome)#                                                | Enters callhome configuration mode.                                                                                                                                                                                                                                                 |
| Step 4 | <b>email-contact</b> <i>email-address</i><br><br><b>Example:</b><br>switch(config-callhome)# email-contact<br>admin@Mycompany.com             | Configures the e-mail address for the person primarily responsible for the device. Up to 255 alphanumeric characters are accepted in an e-mail address format.<br><br><b>Note</b> You can use any valid e-mail address. You cannot use spaces.                                      |
| Step 5 | <b>phone-contact</b> <i>international-phone-number</i><br><br><b>Example:</b><br>switch(config-callhome)# phone-contact<br>+1-800-123-4567    | Configures the phone number in international phone number format for the primary person responsible for the device. Up to 17 alphanumeric characters are accepted in international format.<br><br><b>Note</b> You cannot use spaces. Be sure to use the + prefix before the number. |
| Step 6 | <b>streetaddress</b> <i>address</i><br><br><b>Example:</b><br>switch(config-callhome)# streetaddress<br>123 Anystreet st. Anytown,AnyWhere    | Configures the street address as an alphanumeric string with white spaces for the primary person responsible for the device. Up to 255 alphanumeric characters are accepted, including spaces.                                                                                      |
| Step 7 | <b>contract-id</b> <i>contract-number</i><br><br><b>Example:</b><br>switch(config-callhome)# contract-id<br>Contract5678                      | (Optional) Configures the contract number for this device from the service agreement. The contract number can be up to 255 alphanumeric characters in free format.                                                                                                                  |
| Step 8 | <b>customer-id</b> <i>customer-number</i><br><br><b>Example:</b><br>switch(config-callhome)# customer-id<br>Customer123456                    | (Optional) Configures the customer number for this device from the service agreement. The customer number can be up to 255 alphanumeric characters in free format.                                                                                                                  |
| Step 9 | <b>site-id</b> <i>site-number</i><br><br><b>Example:</b><br>switch(config-callhome)# site-id Site1                                            | (Optional) Configures the site number for this device. The site number can be up to 255 alphanumeric characters in free format.                                                                                                                                                     |

**Send document comments to [nexus7k-docfeedback@cisco.com](mailto:nexus7k-docfeedback@cisco.com).**

|         | Command                                                                                                                   | Purpose                                                                                                                                                    |
|---------|---------------------------------------------------------------------------------------------------------------------------|------------------------------------------------------------------------------------------------------------------------------------------------------------|
| Step 10 | <b>switch-priority</b> <i>number</i><br><br><b>Example:</b><br>switch(config-callhome)# switch-priority<br>3              | (Optional) Configures the switch priority for this device. The range is from 0 to 7, with 0 being the highest priority and 7 the lowest. The default is 7. |
| Step 11 | <b>commit</b><br><br><b>Example:</b><br>switch(config-callhome)# commit                                                   | Commits the callhome configuration commands.                                                                                                               |
| Step 12 | <b>show callhome</b><br><br><b>Example:</b><br>switch(config-callhome)# show callhome                                     | (Optional) Displays a summary of the Smart Call Home configuration.                                                                                        |
| Step 13 | <b>copy running-config startup-config</b><br><br><b>Example:</b><br>switch(config)# copy running-config<br>startup-config | (Optional) Saves this configuration change.                                                                                                                |

This example shows how to configure the contact information for Smart Call Home:

```
switch# config t
Enter configuration commands, one per line. End with CNTL/Z.
switch(config)# snmp-server contact personname@companyname.com
switch(config)# callhome
switch(config-callhome)# email-contact admin@Mycompany.com
switch(config-callhome)# phone-contact +1-800-123-4567
switch(config-callhome)# streetaddress 123 Anystreet st. Anytown,AnyWhere
switch(config-callhome)# commit
```

## Creating a Destination Profile

You can create a user-defined destination profile and configure its message format.

### BEFORE YOU BEGIN

Make sure that you are in the correct VDC (or use the **switchto vdc** command).

### SUMMARY STEPS

1. **config t**
2. **callhome**
3. **destination-profile** *name*
4. **destination-profile** *name* **format** {XML | full-txt | short-txt}
5. **commit**
6. **show callhome destination-profile** [*profile name*]
7. **copy running-config startup-config**

***Send document comments to [nexus7k-docfeedback@cisco.com](mailto:nexus7k-docfeedback@cisco.com).***

## DETAILED STEPS

|        | Command                                                                                                                                                              | Purpose                                                                                               |
|--------|----------------------------------------------------------------------------------------------------------------------------------------------------------------------|-------------------------------------------------------------------------------------------------------|
| Step 1 | <b>config t</b><br><br><b>Example:</b><br>switch# config t<br>Enter configuration commands, one per line. End with CNTL/Z.<br>switch(config)#                        | Places you in global configuration mode.                                                              |
| Step 2 | <b>callhome</b><br><br><b>Example:</b><br>switch(config)# callhome<br>switch(config-callhome)#                                                                       | Enters callhome configuration mode.                                                                   |
| Step 3 | <b>destination-profile name</b><br><br><b>Example:</b><br>switch(config-callhome)#<br>destination-profile Noc101                                                     | Creates a new destination profile. The name can be any alphanumeric string up to 31 characters.       |
| Step 4 | <b>destination-profile name format {XML   full-txt   short-txt}</b><br><br><b>Example:</b><br>switch(config-callhome)#<br>destination-profile Noc101 format full-txt | Sets the message format for the profile. The name can be any alphanumeric string up to 31 characters. |
| Step 5 | <b>commit</b><br><br><b>Example:</b><br>switch(config-callhome)# commit                                                                                              | Commits the callhome configuration commands.                                                          |
| Step 6 | <b>show callhome destination-profile [profile name]</b><br><br><b>Example:</b><br>switch(config-callhome)# show callhome destination-profile profile Noc101          | (Optional) Displays information about one or more destination profiles.                               |
| Step 7 | <b>copy running-config startup-config</b><br><br><b>Example:</b><br>switch(config)# copy running-config startup-config                                               | (Optional) Saves this configuration change.                                                           |

This example shows how to create a destination profile for Smart Call Home:

```
switch# config t
Enter configuration commands, one per line. End with CNTL/Z.
switch(config)# callhome
switch(config-callhome)# destination-profile Noc101
switch(config-callhome)# destination-profile Noc101 format full-txt
switch(config-callhome)# commit
```

***Send document comments to [nexus7k-docfeedback@cisco.com](mailto:nexus7k-docfeedback@cisco.com).***

## Modifying a Destination Profile

You can modify the following attributes for a predefined or user-defined destination profile:

- Destination e-mail address—E-mail address that defines where alerts should be sent.
- Destination URL—HTTP or HTTPS URL that defines where alerts should be sent.
- Transport method—E-mail or HTTP transport that determines which type of destination addresses are used.
- Message formatting—Message format used for sending the alert (full text, short text, or XML).
- Message level—Smart Call Home message severity level for this destination profile.
- Message size—Allowed length of a Smart Call Home message sent to destination addresses in this destination profile.

See the “[Associating an Alert Group and a Destination Profile](#)” section on page 7-16 for information on configuring an alert group for a destination profile.

### BEFORE YOU BEGIN

Make sure that you are in the correct VDC. To change the VDC, use the **switchto vdc** command.

### SUMMARY STEPS

1. **config t**
2. **callhome**
3. **destination-profile** {*name* | CiscoTAC-1 | full-txt-destination | short-txt-destination} **email-addr** *address*
4. **destination-profile** {*name* | CiscoTAC-1 | full-txt-destination | short-txt-destination} **http** *address*
5. **destination-profile** {*name* | CiscoTAC-1 | full-txt-destination | short-txt-destination} **transport-method** {**email** | **http**}
6. **destination-profile** {*name* | CiscoTAC-1 | full-txt-destination | short-txt-destination} **message-level** *number*
7. **destination-profile** {*name* | CiscoTAC-1 | full-txt-destination | short-txt-destination} **message-size** *number*
8. **commit**
9. **show callhome destination-profile** [**profile** *name*]
10. **copy running-config startup-config**

**Send document comments to [nexus7k-docfeedback@cisco.com](mailto:nexus7k-docfeedback@cisco.com).**

## DETAILED STEPS

|        | Command                                                                                                                                                                                                                                                  | Purpose                                                                                                                                                                                                                                                                                                                                            |
|--------|----------------------------------------------------------------------------------------------------------------------------------------------------------------------------------------------------------------------------------------------------------|----------------------------------------------------------------------------------------------------------------------------------------------------------------------------------------------------------------------------------------------------------------------------------------------------------------------------------------------------|
| Step 1 | <b>config t</b><br><br><b>Example:</b><br>switch# config t<br>Enter configuration commands, one per line. End with CNTL/Z.<br>switch(config)#                                                                                                            | Places you in global configuration mode.                                                                                                                                                                                                                                                                                                           |
| Step 2 | <b>callhome</b><br><br><b>Example:</b><br>switch(config)# callhome<br>switch(config-callhome)#                                                                                                                                                           | Enters callhome configuration mode.                                                                                                                                                                                                                                                                                                                |
| Step 3 | <b>destination-profile</b> {name   CiscoTAC-1   full-txt-destination   short-txt-destination} email-addr address<br><br><b>Example:</b><br>switch(config-callhome)#<br>destination-profile full-txt-destination email-addr person@place.com              | Configures an e-mail address for a user-defined or predefined destination profile.<br><br><b>Tip</b> You can configure up to 50 e-mail addresses in a destination profile.                                                                                                                                                                         |
| Step 4 | <b>destination-profile</b> {name   CiscoTAC-1   full-txt-destination   short-txt-destination} http address<br><br><b>Example:</b><br>switch(config-callhome)#<br>destination-profile CiscoTAC-1 http http://site.com/service/callhome                    | Configures an HTTP or HTTPS URL for a user-defined or predefined destination profile. The URL can be up to 255 characters.<br><br><b>Note</b> This command is not distributable with CFS. As a workaround, enter this command after the <b>commit</b> command.                                                                                     |
| Step 5 | <b>destination-profile</b> {name   CiscoTAC-1   full-txt-destination   short-txt-destination} transport-method {email   http}<br><br><b>Example:</b><br>switch(config-callhome)#<br>destination-profile CiscoTAC-1 http http://site.com/service/callhome | Configures an e-mail or HTTP transport method for a user-defined or predefined destination profile. The type of transport method that you choose determines the configured destination addresses of that type.<br><br><b>Note</b> This command is not distributable with CFS. As a workaround, enter this command after the <b>commit</b> command. |
| Step 6 | <b>destination-profile</b> {name   CiscoTAC-1   full-txt-destination   short-txt-destination} message-level number<br><br><b>Example:</b><br>switch(config-callhome)#<br>destination-profile full-txt-destination message-level 5                        | Configures the Smart Call Home message severity level for this destination profile. Cisco NX-OS sends only alerts that have a matching or higher Smart Call Home severity level to destinations in this profile. The range is from 0 to 9, where 9 is the highest severity level.                                                                  |

**Send document comments to [nexus7k-docfeedback@cisco.com](mailto:nexus7k-docfeedback@cisco.com).**

|         | Command                                                                                                                                                                                                                                       | Purpose                                                                                                                   |
|---------|-----------------------------------------------------------------------------------------------------------------------------------------------------------------------------------------------------------------------------------------------|---------------------------------------------------------------------------------------------------------------------------|
| Step 7  | <pre>destination-profile {name   CiscoTAC-1   full-txt-destination   short-txt-destination} message-size number</pre> <p><b>Example:</b></p> <pre>switch(config-callhome)# destination-profile full-txt-destination message-size 100000</pre> | Configures the maximum message size for this destination profile. The range is from 0 to 5000000. The default is 2500000. |
| Step 8  | <pre>commit</pre> <p><b>Example:</b></p> <pre>switch(config-callhome)# commit</pre>                                                                                                                                                           | Commits the callhome configuration commands.                                                                              |
| Step 9  | <pre>show callhome destination-profile [profile name]</pre> <p><b>Example:</b></p> <pre>switch(config-callhome)# show callhome destination-profile profile full-text-destination</pre>                                                        | (Optional) Displays information about one or more destination profiles.                                                   |
| Step 10 | <pre>copy running-config startup-config</pre> <p><b>Example:</b></p> <pre>switch(config)# copy running-config startup-config</pre>                                                                                                            | (Optional) Saves this configuration change.                                                                               |

This example shows how to modify a destination profile for Smart Call Home:

```
switch# config t
Enter configuration commands, one per line. End with CNTL/Z.
switch(config)# callhome
switch(config-callhome)# destination-profile full-text-destination email-addr
person@place.com
switch(config-callhome)# destination-profile full-text-destination message-level 5
switch(config-callhome)# destination-profile full-text-destination message-size 10000
switch(config-callhome)# commit
```

## Associating an Alert Group and a Destination Profile

You can associate one or more alert groups with a destination profile.

### BEFORE YOU BEGIN

Make sure that you are in the correct VDC. To change the VDC, use the `switchto vdc` command.

### SUMMARY STEPS

1. `config t`
2. `callhome`
3. `destination-profile {name | CiscoTAC-1 | full-txt-destination | short-txt-destination} alert-group {All | Cisco-TAC | Configuration | Diagnostic | EEM | Environmental | Inventory | License | Linecard-Hardware | Supervisor-Hardware | Syslog-group-port | System | Test}`
4. `commit`



***Send document comments to [nexus7k-docfeedback@cisco.com](mailto:nexus7k-docfeedback@cisco.com).***

5. `show callhome destination-profile [profile name]`
6. `copy running-config startup-config`

## DETAILED STEPS

|        | Command                                                                                                                                                                                                                                                                                                                                                                                          | Purpose                                                                                                                                         |
|--------|--------------------------------------------------------------------------------------------------------------------------------------------------------------------------------------------------------------------------------------------------------------------------------------------------------------------------------------------------------------------------------------------------|-------------------------------------------------------------------------------------------------------------------------------------------------|
| Step 1 | <b>config t</b><br><br><b>Example:</b><br>switch# <code>config t</code><br>Enter configuration commands, one per line. End with CNTL/Z.<br>switch(config)#                                                                                                                                                                                                                                       | Places you in global configuration mode.                                                                                                        |
| Step 2 | <b>callhome</b><br><br><b>Example:</b><br>switch(config)# <code>callhome</code><br>switch(config-callhome)#                                                                                                                                                                                                                                                                                      | Enters callhome configuration mode.                                                                                                             |
| Step 3 | <b>destination-profile {name   CiscoTAC-1   full-txt-destination   short-txt-destination} alert-group {All   Cisco-TAC   Configuration   Diagnostic   EEM   Environmental   Inventory   License   Linecard-Hardware   Supervisor-Hardware   Syslog-group-port   System   Test}</b><br><br><b>Example:</b><br>switch(config-callhome)#<br><code>destination-profile Noc101 alert-group All</code> | Associates an alert group with this destination profile. Use the <b>All</b> keyword to associate all alert groups with the destination profile. |
| Step 4 | <b>commit</b><br><br><b>Example:</b><br>switch(config-callhome)# <code>commit</code>                                                                                                                                                                                                                                                                                                             | Commits the callhome configuration commands.                                                                                                    |
| Step 5 | <b>show callhome destination-profile [profile name]</b><br><br><b>Example:</b><br>switch(config-callhome)# <code>show callhome destination-profile profile Noc101</code>                                                                                                                                                                                                                         | (Optional) Displays information about one or more destination profiles.                                                                         |
| Step 6 | <b>copy running-config startup-config</b><br><br><b>Example:</b><br>switch(config)# <code>copy running-config startup-config</code>                                                                                                                                                                                                                                                              | (Optional) Saves this configuration change.                                                                                                     |

This example shows how to associate all alert groups with the destination profile Noc101:

```
switch# config t
Enter configuration commands, one per line. End with CNTL/Z.
switch(config)# callhome
switch(config-callhome)# destination-profile Noc101 alert-group All
switch(config-callhome)# commit
```

**[Send document comments to nexus7k-docfeedback@cisco.com.](mailto:nexus7k-docfeedback@cisco.com)**

## Adding show Commands to an Alert Group

You can assign a maximum of five user-defined CLI **show** commands to an alert group.



### Note

You cannot add user-defined CLI **show** commands to the CiscoTAC-1 destination profile.

### BEFORE YOU BEGIN

Make sure that you are in the correct VDC. To change the VDC, use the **switchto vdc** command.

### SUMMARY STEPS

1. **config t**
2. **callhome**
3. **alert-group { Configuration | Diagnostic | EEM | Environmental | Inventory | License | Linecard-Hardware | Supervisor-Hardware | Syslog-group-port | System | Test } user-def-cmd show-cmd**
4. **commit**
5. **show call-home user-def-cmds**
6. **copy running-config startup-config**

### DETAILED STEPS

|        | Command                                                                                                                                                                                                                                                                                                   | Purpose                                                                                                                                      |
|--------|-----------------------------------------------------------------------------------------------------------------------------------------------------------------------------------------------------------------------------------------------------------------------------------------------------------|----------------------------------------------------------------------------------------------------------------------------------------------|
| Step 1 | <b>config t</b><br><br><b>Example:</b><br>switch# config t<br>Enter configuration commands, one per line. End with CNTL/Z.<br>switch(config)#                                                                                                                                                             | Places you in global configuration mode.                                                                                                     |
| Step 2 | <b>callhome</b><br><br><b>Example:</b><br>switch(config)# callhome<br>switch(config-callhome)#                                                                                                                                                                                                            | Enters callhome configuration mode.                                                                                                          |
| Step 3 | <b>alert-group { Configuration   Diagnostic   EEM   Environmental   Inventory   License   Linecard-Hardware   Supervisor-Hardware   Syslog-group-port   System   Test } user-def-cmd show-cmd</b><br><br><b>Example:</b><br>switch(config-callhome)# alert-group Configuration user-def-cmd show ip route | Adds the <b>show</b> command output to any Smart Call Home messages sent for this alert group. Only valid <b>show</b> commands are accepted. |
| Step 4 | <b>commit</b><br><br><b>Example:</b><br>switch(config-callhome)# commit                                                                                                                                                                                                                                   | Commits the callhome configuration commands.                                                                                                 |

**Send document comments to [nexus7k-docfeedback@cisco.com](mailto:nexus7k-docfeedback@cisco.com).**

|        | Command                                                                                                                | Purpose                                                                                            |
|--------|------------------------------------------------------------------------------------------------------------------------|----------------------------------------------------------------------------------------------------|
| Step 5 | <b>show callhome user-def-cmds</b><br><br><b>Example:</b><br>switch(config-callhome)# show callhome user-def-cmds      | (Optional) Displays information about all user-defined <b>show</b> commands added to alert groups. |
| Step 6 | <b>copy running-config startup-config</b><br><br><b>Example:</b><br>switch(config)# copy running-config startup-config | (Optional) Saves this configuration change.                                                        |

This example shows how to add the **show ip route** command to the Cisco-TAC alert group:

```
switch# config t
Enter configuration commands, one per line. End with CNTL/Z.
switch(config)# callhome
switch(config-callhome)# alert-group Configuration user-def-cmd show ip route
switch(config-callhome)# commit
```

## Configuring E-Mail

You must configure the SMTP server address for the Smart Call Home functionality to work. You can also configure the from and reply-to e-mail addresses.

You can configure up to five SMTP servers for Smart Call Home. The servers are tried based on their priority. The highest priority server is tried first. If the message fails to be sent, the next server in the list is tried until the limit is exhausted. If two servers have equal priority, the one that was configured earlier is tried first.

### BEFORE YOU BEGIN

Make sure that you are in the correct VDC. To change the VDC, use the **switchto vdc** command.

### SUMMARY STEPS

1. **config t**
2. **callhome**
3. **transport email mail-server ip-address [port number] [priority number] [use-vrf vrf-name]**
4. **transport email from email-address**
5. **transport email reply-to email-address**
6. **commit**
7. **show callhome transport**
8. **copy running-config startup-config**

**Send document comments to [nexus7k-docfeedback@cisco.com](mailto:nexus7k-docfeedback@cisco.com).**

## DETAILED STEPS

|        | Command                                                                                                                                                                                               | Purpose                                                                                                                                                                                                                                                                                                                                                                                                                                                                                                                                                                                                                                                                                                                                                                                                                                                                                                                         |
|--------|-------------------------------------------------------------------------------------------------------------------------------------------------------------------------------------------------------|---------------------------------------------------------------------------------------------------------------------------------------------------------------------------------------------------------------------------------------------------------------------------------------------------------------------------------------------------------------------------------------------------------------------------------------------------------------------------------------------------------------------------------------------------------------------------------------------------------------------------------------------------------------------------------------------------------------------------------------------------------------------------------------------------------------------------------------------------------------------------------------------------------------------------------|
| Step 1 | <b>config t</b><br><br><b>Example:</b><br>switch# config t<br>Enter configuration commands, one per line. End with CNTL/Z.<br>switch(config)#                                                         | Places you in global configuration mode.                                                                                                                                                                                                                                                                                                                                                                                                                                                                                                                                                                                                                                                                                                                                                                                                                                                                                        |
| Step 2 | <b>callhome</b><br><br><b>Example:</b><br>switch(config)# callhome<br>switch(config-callhome)#                                                                                                        | Enters callhome configuration mode.                                                                                                                                                                                                                                                                                                                                                                                                                                                                                                                                                                                                                                                                                                                                                                                                                                                                                             |
| Step 3 | <b>transport email mail-server ip-address [port number] [priority number] [use-vrf vrf-name]</b><br><br><b>Example:</b><br>switch(config-callhome)# transport email mail-server 192.0.2.1 use-vrf Red | <p>Configures the SMTP server as the domain name server (DNS) name, IPv4 address, or IPv6 address. Optionally configures the port number. The port range is from 1 to 65535. The default port number is 25.</p> <p>Also optionally configures the priority of the SMTP server. The priority range is from 1 to 100, with 1 being the highest priority and 100 the lowest. If you do not specify a priority, the default value of 50 is used.</p> <p>Also optionally configures the VRF to use when communicating with this SMTP server. The VRF specified is not used to send messages using HTTP. To use HTTP, see the “<a href="#">Configuring VRFs To Send Messages Using HTTP</a>” section on page 7-21.</p> <p><b>Note</b> To distribute the SMTP server configuration to devices that run Release 4.2 or earlier, you must use the <b>transport email smtp-server</b> command, which configures only one SMTP server.</p> |
| Step 4 | <b>transport email from email-address</b><br><br><b>Example:</b><br>switch(config-callhome)# transport email from person@company.com                                                                  | (Optional) Configures the e-mail from field for Smart Call Home messages.                                                                                                                                                                                                                                                                                                                                                                                                                                                                                                                                                                                                                                                                                                                                                                                                                                                       |
| Step 5 | <b>transport email reply-to email-address</b><br><br><b>Example:</b><br>switch(config-callhome)# transport email reply-to person@company.com                                                          | (Optional) Configures the e-mail reply-to field for Smart Call Home messages.                                                                                                                                                                                                                                                                                                                                                                                                                                                                                                                                                                                                                                                                                                                                                                                                                                                   |
| Step 6 | <b>commit</b><br><br><b>Example:</b><br>switch(config-callhome)# commit                                                                                                                               | Commits the callhome configuration commands.                                                                                                                                                                                                                                                                                                                                                                                                                                                                                                                                                                                                                                                                                                                                                                                                                                                                                    |

**Send document comments to [nexus7k-docfeedback@cisco.com](mailto:nexus7k-docfeedback@cisco.com).**

|        | Command                                                                                                                | Purpose                                                                      |
|--------|------------------------------------------------------------------------------------------------------------------------|------------------------------------------------------------------------------|
| Step 7 | <b>show callhome transport</b><br><br><b>Example:</b><br>switch(config-callhome)# show callhome transport              | (Optional) Displays the transport-related configuration for Smart Call Home. |
| Step 8 | <b>copy running-config startup-config</b><br><br><b>Example:</b><br>switch(config)# copy running-config startup-config | (Optional) Saves this configuration change.                                  |

This example shows how to configure the e-mail options for Smart Call Home messages:

```
switch# config t
Enter configuration commands, one per line. End with CNTL/Z.
switch(config)# callhome
switch(config-callhome)# transport email mail-server 192.0.2.10 use-vrf Red
switch(config-callhome)# transport email from person@company.com
switch(config-callhome)# transport email reply-to person@company.com
switch(config-callhome)# commit
```

This example shows how to configure multiple SMTP servers for Smart Call Home messages:

```
switch# config t
Enter configuration commands, one per line. End with CNTL/Z.
switch(config)# callhome
switch(config-callhome)# transport email mail-server 192.0.2.10 priority 4
switch(config-callhome)# transport email mail-server 172.21.34.193
switch(config-callhome)# transport email smtp-server 10.1.1.174
switch(config-callhome)# transport email mail-server 64.72.101.213 priority 60
switch(config-callhome)# transport email from person@company.com
switch(config-callhome)# transport email reply-to person@company.com
switch(config-callhome)# commit
```

Based on the configuration above, the SMTP servers would be tried in this order:

10.1.1.174 (priority 0)  
 192.0.2.10 (priority 4)  
 172.21.34.193 (priority 50, which is the default)  
 64.72.101.213 (priority 60)

When CFS distribution is enabled, devices that run Release 4.2 or earlier accept only the **transport email smtp-server** command configurations while devices that run Release 5.0(1) or later accept both the **transport email smtp-server** and **transport email mail-server** command configurations.



**Note**

When a device accepts both the **transport email smtp-server** and **transport email mail-server** commands, the **transport email smtp-server** command has a priority of 0, which is the highest. The server specified by this command is tried first followed by the servers specified by the **transport email mail-server** commands in order of priority.

## Configuring VRFs To Send Messages Using HTTP

You can use VRFs to send Smart Call Home messages over HTTP. If HTTP VRFs are not configured, the default VRF is used to transport messages over HTTP.

***Send document comments to [nexus7k-docfeedback@cisco.com](mailto:nexus7k-docfeedback@cisco.com).***

## BEFORE YOU BEGIN

Make sure that you are in the correct VDC. To change the VDC, use the **switchto vdc** command.

## SUMMARY STEPS

1. **config t**
2. **callhome**
3. **transport http use-vrf *vrf-name***
4. **commit**
5. **show callhome**
6. **copy running-config startup-config**

## DETAILED STEPS

|        | Command                                                                                                                                       | Purpose                                                                              |
|--------|-----------------------------------------------------------------------------------------------------------------------------------------------|--------------------------------------------------------------------------------------|
| Step 1 | <b>config t</b><br><br><b>Example:</b><br>switch# config t<br>Enter configuration commands, one per line. End with CNTL/Z.<br>switch(config)# | Places you in global configuration mode.                                             |
| Step 2 | <b>callhome</b><br><br><b>Example:</b><br>switch(config)# callhome<br>switch(config-callhome)#                                                | Enters callhome configuration mode.                                                  |
| Step 3 | <b>transport http use-vrf <i>vrf-name</i></b><br><br><b>Example:</b><br>switch(config-callhome)# transport http use-vrf Blue                  | Configures the VRF used to send e-mail and other Smart Call Home messages over HTTP. |
| Step 4 | <b>commit</b><br><br><b>Example:</b><br>switch(config-callhome)# commit                                                                       | Commits the callhome configuration commands.                                         |
| Step 5 | <b>show callhome</b><br><br><b>Example:</b><br>switch(config-callhome)# show callhome                                                         | (Optional) Displays information about Smart Call Home.                               |
| Step 6 | <b>copy running-config startup-config</b><br><br><b>Example:</b><br>switch(config)# copy running-config startup-config                        | (Optional) Saves this configuration change.                                          |

## Send document comments to [nexus7k-docfeedback@cisco.com](mailto:nexus7k-docfeedback@cisco.com).

This example shows how to configure a VRF to send Smart Call Home messages using HTTP:

```
switch# config t
Enter configuration commands, one per line. End with CNTL/Z.
switch(config)# callhome
switch(config-callhome)# transport http use-vrf Blue
switch(config-callhome)# commit
```

## Configuring an HTTP Proxy Server

Beginning with Cisco NX-OS Release 5.2, you can configure Smart Call Home to send HTTP messages through an HTTP proxy server. If you do not configure an HTTP proxy server, Smart Call Home sends HTTP messages directly to the Cisco Transport Gateway (TG).

### BEFORE YOU BEGIN

Make sure that you are in the correct VDC. To change the VDC, use the **switchto vdc** command.

### SUMMARY STEPS

1. **config t**
2. **callhome**
3. **transport http proxy server** *ip-address* [**port number**]
4. **transport http proxy enable**
5. **commit**
6. **show callhome transport**
7. **copy running-config startup-config**

### DETAILED STEPS

|        | Command                                                                                                                                                              | Purpose                                                                                                                                                                                                   |
|--------|----------------------------------------------------------------------------------------------------------------------------------------------------------------------|-----------------------------------------------------------------------------------------------------------------------------------------------------------------------------------------------------------|
| Step 1 | <b>config t</b><br><br><b>Example:</b><br>switch# config t<br>Enter configuration commands, one per line. End with CNTL/Z.<br>switch(config)#                        | Places you in global configuration mode.                                                                                                                                                                  |
| Step 2 | <b>callhome</b><br><br><b>Example:</b><br>switch(config)# callhome<br>switch(config-callhome)#                                                                       | Enters callhome configuration mode.                                                                                                                                                                       |
| Step 3 | <b>transport http proxy server</b> <i>ip-address</i> [ <b>port number</b> ]<br><br><b>Example:</b><br>switch(config-callhome)# transport http proxy server 192.0.2.1 | Configures the HTTP proxy server domain name server (DNS) name, IPv4 address, or IPv6 address. Optionally configures the port number. The port range is from 1 to 65535. The default port number is 8080. |

**Send document comments to [nexus7k-docfeedback@cisco.com](mailto:nexus7k-docfeedback@cisco.com).**

|        | Command                                                                                                                | Purpose                                                                                                                                                                                                                                                                                                                                                      |
|--------|------------------------------------------------------------------------------------------------------------------------|--------------------------------------------------------------------------------------------------------------------------------------------------------------------------------------------------------------------------------------------------------------------------------------------------------------------------------------------------------------|
| Step 4 | <b>transport http proxy enable</b><br><br><b>Example:</b><br>switch(config-callhome)# transport http proxy enable      | Enables Smart Call Home to send all HTTP messages through the HTTP proxy server.<br><br><b>Note</b> You can execute this command only after the proxy server address has been configured.<br><br><b>Note</b> The VRF used for transporting messages through the proxy server is the same as that configured using the <b>transport http use-vrf</b> command. |
| Step 5 | <b>commit</b><br><br><b>Example:</b><br>switch(config-callhome)# commit                                                | Commits the callhome configuration commands.                                                                                                                                                                                                                                                                                                                 |
| Step 6 | <b>show callhome transport</b><br><br><b>Example:</b><br>switch(config-callhome)# show callhome transport              | (Optional) Displays the transport-related configuration for Smart Call Home.                                                                                                                                                                                                                                                                                 |
| Step 7 | <b>copy running-config startup-config</b><br><br><b>Example:</b><br>switch(config)# copy running-config startup-config | (Optional) Saves this configuration change.                                                                                                                                                                                                                                                                                                                  |

This example shows how to configure Smart Call Home to send HTTP messages through an HTTP proxy server:

```
switch# config t
Enter configuration commands, one per line. End with CNTL/Z.
switch(config)# callhome
switch(config-callhome)# transport http proxy server 10.10.10.1 port 4
switch(config-callhome)# transport http proxy enable
switch(config-callhome)# commit
```

## Configuring Periodic Inventory Notifications

You can configure your device to periodically send a message with an inventory of all software services currently enabled and running on the device along with hardware inventory information. Cisco NX-OS generates two Smart Call Home notifications, periodic configuration messages and periodic inventory messages.

### BEFORE YOU BEGIN

Make sure that you are in the correct VDC. To change the VDC, use the **switchto vdc** command.

### SUMMARY STEPS

1. **config t**
2. **callhome**
3. **periodic-inventory notification [interval *days* | timeofday *time*]**



***Send document comments to [nexus7k-docfeedback@cisco.com](mailto:nexus7k-docfeedback@cisco.com).***

4. **commit**
5. **show callhome**
6. **copy running-config startup-config**

## DETAILED STEPS

|        | Command                                                                                                                                                                                | Purpose                                                                                                                                                                                                                                                                   |
|--------|----------------------------------------------------------------------------------------------------------------------------------------------------------------------------------------|---------------------------------------------------------------------------------------------------------------------------------------------------------------------------------------------------------------------------------------------------------------------------|
| Step 1 | <b>config t</b><br><br><b>Example:</b><br>switch# config t<br>Enter configuration commands, one per line. End with CNTL/Z.<br>switch(config)#                                          | Places you in global configuration mode.                                                                                                                                                                                                                                  |
| Step 2 | <b>callhome</b><br><br><b>Example:</b><br>switch(config)# callhome<br>switch(config-callhome)#                                                                                         | Enters callhome configuration mode.                                                                                                                                                                                                                                       |
| Step 3 | <b>periodic-inventory notification</b><br><b>[interval days] [timeofday time]</b><br><br><b>Example:</b><br>switch(config-callhome)#<br>periodic-inventory notification interval<br>20 | Configures the periodic inventory messages. The interval range is from 1 to 30 days, and the default is 7. The <i>time</i> argument is in HH:MM format. It defines at what time of the day every <i>X</i> days an update is sent (where <i>X</i> is the update interval). |
| Step 4 | <b>commit</b><br><br><b>Example:</b><br>switch(config-callhome)# commit                                                                                                                | Commits the callhome configuration commands.                                                                                                                                                                                                                              |
| Step 5 | <b>show callhome</b><br><br><b>Example:</b><br>switch(config-callhome)# show callhome                                                                                                  | (Optional) Displays information about Smart Call Home.                                                                                                                                                                                                                    |
| Step 6 | <b>copy running-config startup-config</b><br><br><b>Example:</b><br>switch(config)# copy running-config<br>startup-config                                                              | (Optional) Saves this configuration change.                                                                                                                                                                                                                               |

This example shows how to configure the periodic inventory messages to generate every 20 days:

```
switch# config t
Enter configuration commands, one per line. End with CNTL/Z.
switch(config)# callhome
switch(config-callhome)# periodic-inventory notification interval 20
switch(config-callhome)# commit
```

***Send document comments to [nexus7k-docfeedback@cisco.com](mailto:nexus7k-docfeedback@cisco.com).***

## Disabling Duplicate Message Throttle

You can limit the number of duplicate messages received for the same event. By default, Cisco NX-OS limits the number of duplicate messages received for the same event. If the number of duplicate messages sent exceeds 30 messages within a 2-hour time frame, then Cisco NX-OS disables further messages for that alert type.

Use the following commands in Smart Call Home configuration mode to disable duplicate message throttling:

|        | Command                                                                                                               | Purpose                                                                        |
|--------|-----------------------------------------------------------------------------------------------------------------------|--------------------------------------------------------------------------------|
| Step 1 | <b>no duplicate-message throttle</b><br><br><b>Example:</b><br>switch(config-callhome)# no duplicate-message throttle | Disables duplicate message throttling for Smart Call Home. Enabled by default. |
| Step 2 | <b>commit</b><br><br><b>Example:</b><br>switch(config-callhome)# commit                                               | Commits the callhome configuration commands.                                   |

## Enabling or Disabling Smart Call Home

Once you have configured the contact information, you can enable the Smart Call Home function.

Use the following commands in Smart Call Home configuration mode to enable Smart Call Home:

|        | Command                                                                 | Purpose                                                                                                                                                              |
|--------|-------------------------------------------------------------------------|----------------------------------------------------------------------------------------------------------------------------------------------------------------------|
| Step 1 | <b>enable</b><br><br><b>Example:</b><br>switch(config-callhome)# enable | Enables Smart Call Home. Disabled by default.<br><br><b>Note</b> To disable Smart Call Home, use the <b>no enable</b> command in Smart Call Home configuration mode. |
| Step 2 | <b>commit</b><br><br><b>Example:</b><br>switch(config-callhome)# commit | Commits the callhome configuration commands.                                                                                                                         |

***Send document comments to [nexus7k-docfeedback@cisco.com](mailto:nexus7k-docfeedback@cisco.com).***

## Testing Smart Call Home Communications

You can generate a test message to test your Smart Call Home communications.

Use the following commands in any mode to generate a test Smart Call Home message:

| Command                                                                                                                                       | Purpose                                                                                                                                                |
|-----------------------------------------------------------------------------------------------------------------------------------------------|--------------------------------------------------------------------------------------------------------------------------------------------------------|
| <b>callhome send</b> [ <b>configuration</b>   <b>diagnostic</b> ]<br><br><b>Example:</b><br>switch(config-callhome)# callhome send diagnostic | Sends the specified Smart Call Home test message to all configured destinations.<br><br><b>Note</b> This command is available only in the default VDC. |
| <b>callhome test</b><br><br><b>Example:</b><br>switch(config-callhome)# callhome test                                                         | Sends a test message to all configured destinations.                                                                                                   |

## Verifying the Smart Call Home Configuration

To display Smart Call Home configuration information, perform one of the following tasks:

| Command                                              | Purpose                                                                                 |
|------------------------------------------------------|-----------------------------------------------------------------------------------------|
| <b>show callhome</b>                                 | Displays the Smart Call Home configuration.                                             |
| <b>show callhome destination-profile</b> <i>name</i> | Displays one or more Smart Call Home destination profiles.                              |
| <b>show callhome merge</b>                           | Displays the status of the last CFS merger for Smart Call Home.                         |
| <b>show callhome pending</b>                         | Displays the Smart Call Home configuration changes in the pending CFS database.         |
| <b>show callhome pending-diff</b>                    | Displays the differences between the pending and running Smart Call Home configuration. |
| <b>show callhome session status</b>                  | Displays the status of the last CFS commit or abort operation.                          |
| <b>show callhome status</b>                          | Displays the CFS distribution state (enabled or disabled) for Smart Call Home.          |
| <b>show callhome transport</b>                       | Displays the transport-related configuration for Smart Call Home.                       |
| <b>show callhome user-def-cmds</b>                   | Displays CLI commands added to any alert groups.                                        |
| <b>show running-config callhome</b> [ <b>all</b> ]   | Displays the running configuration for Smart Call Home.                                 |
| <b>show startup-config callhome</b>                  | Displays the startup configuration for Smart Call Home.                                 |
| <b>show tech-support callhome</b>                    | Displays the technical support output for Smart Call Home.                              |

**[Send document comments to nexus7k-docfeedback@cisco.com.](mailto:nexus7k-docfeedback@cisco.com)**

## Configuration Example for Smart Call Home

This example shows how to create a destination profile called Noc101, associate the Configuration alert group to that profile, configure contact and e-mail information, and specify the VRF used to send Smart Call Home messages over HTTP:

```
config t
snmp-server contact person@company.com
callhome
  distribute
  email-contact admin@Mycompany.com
  phone-contact +1-800-123-4567
  streetaddress 123 Anystreet st. Anytown,AnyWhere
  destination-profile Noc101 format full-txt
  destination-profile full-text-destination email-addr person@company.com
  destination-profile full-text-destination message-level 5
  destination-profile Noc101 alert-group Configuration
  alert-group Configuration user-def-cmd show ip route
  transport email mail-server 192.0.2.10 priority 1
  transport http use-vrf Blue
enable
commit
```

## Additional References

For additional information related to implementing Smart Call Home, see the following sections:

- [Event Triggers, page 7-28](#)
- [Message Formats, page 7-30](#)
- [Sample syslog Alert Notification in Full-Text Format, page 7-33](#)
- [Sample syslog Alert Notification in XML Format, page 7-36](#)
- [Related Documents, page 7-40](#)
- [Standards, page 7-40](#)
- [MIBs, page 7-40](#)

## Event Triggers

Table 7-4 lists the event triggers and their Smart Call Home message severity levels.

**Table 7-4**      **Event Triggers**

| Alert Group   | Event Name              | Description                                          | Smart Call Home Severity Level |
|---------------|-------------------------|------------------------------------------------------|--------------------------------|
| Configuration | PERIODIC_CONFIGURATION  | Periodic configuration update message.               | 2                              |
| Diagnostic    | DIAGNOSTIC_MAJOR_ALERT  | GOLD generated a major alert.                        | 7                              |
|               | DIAGNOSTIC_MINOR_ALERT  | GOLD generated a minor alert.                        | 4                              |
|               | DIAGNOSTIC_NORMAL_ALERT | Smart Call Home generated a normal diagnostic alert. | 2                              |

**[Send document comments to nexus7k-docfeedback@cisco.com.](mailto:nexus7k-docfeedback@cisco.com)**

**Table 7-4**      **Event Triggers (continued)**

| <b>Alert Group</b>                 | <b>Event Name</b>       | <b>Description</b>                                                                                                                                                         | <b>Smart Call Home Severity Level</b> |
|------------------------------------|-------------------------|----------------------------------------------------------------------------------------------------------------------------------------------------------------------------|---------------------------------------|
| Environmental and CISCO_TAC        | FAN_FAILURE             | Cooling fan has failed.                                                                                                                                                    | 5                                     |
|                                    | POWER_SUPPLY_ALERT      | Power supply warning has occurred.                                                                                                                                         | 6                                     |
|                                    | POWER_SUPPLY_FAILURE    | Power supply has failed.                                                                                                                                                   | 6                                     |
|                                    | POWER_SUPPLY_SHUTDOWN   | Power supply has shut down.                                                                                                                                                | 6                                     |
|                                    | TEMPERATURE_ALARM       | Thermal sensor going bad.                                                                                                                                                  | 6                                     |
|                                    | TEMPERATURE_MAJOR_ALARM | Thermal sensor indicates temperature has reached operating major threshold.                                                                                                | 6                                     |
|                                    | TEMPERATURE_MINOR_ALARM | Thermal sensor indicates temperature has reached operating minor threshold.                                                                                                | 4                                     |
| Inventory and CISCO_TAC            | COLD_BOOT               | Switch is powered up and reset to a cold boot sequence.                                                                                                                    | 2                                     |
|                                    | HARDWARE_INSERTION      | New piece of hardware has been inserted into the chassis.                                                                                                                  | 2                                     |
|                                    | HARDWARE_REMOVAL        | Hardware has been removed from the chassis.                                                                                                                                | 2                                     |
|                                    | PERIODIC_INVENTORY      | Periodic inventory message has been generated.                                                                                                                             | 2                                     |
| License                            | LICENSE_VIOLATION       | Feature in use is not licensed and is turned off after grace period expiration.                                                                                            | 6                                     |
| Line module Hardware and CISCO_TAC | LINEmodule_FAILURE      | Module operation has failed.                                                                                                                                               | 7                                     |
| Supervisor Hardware and CISCO_TAC  | CMP_FAILURE             | CMP module operation has failed.                                                                                                                                           | 5                                     |
|                                    | SUP_FAILURE             | Supervisor module operation has failed.                                                                                                                                    | 7                                     |
| Syslog-group-port                  | PORT_FAILURE            | syslog message that corresponds to the port facility has been generated.                                                                                                   | 6                                     |
|                                    | SYSLOG_ALERT            | syslog alert message has been generated.                                                                                                                                   | 5                                     |
| System and CISCO_TAC               | SW_CRASH                | Software process has failed with a stateless restart, indicating an interruption of a service. Messages are sent for process crashes on supervisor modules and line cards. | 5                                     |
|                                    | SW_SYSTEM_INCONSISTENT  | Inconsistency has been detected in software or file system.                                                                                                                | 5                                     |
| Test and CISCO_TAC                 | TEST                    | User generated test has occurred.                                                                                                                                          | 2                                     |

**[Send document comments to nexus7k-docfeedback@cisco.com.](mailto:nexus7k-docfeedback@cisco.com)**

## Message Formats

Smart Call Home supports the following message formats:

- [Short Text Message Format](#)
- [Common Fields for Full Text and XML Messages](#)
- [Fields Specific to Alert Group Messages for Full Text and XML Messages](#)
- [Inserted Fields for a Reactive and Proactive Event Message](#)
- [Inserted Fields for an Inventory Event Message](#)
- [Inserted Fields for a User-Generated Test Message](#)

[Table 7-5](#) describes the short text formatting option for all message types.

**Table 7-5 Short Text Message Format**

| Data Item               | Description                                        |
|-------------------------|----------------------------------------------------|
| Device identification   | Configured device name                             |
| Date/time stamp         | Time stamp of the triggering event                 |
| Error isolation message | Plain English description of triggering event      |
| Alarm urgency level     | Error level such as that applied to system message |

[Table 7-6](#) describes the first set of common event message fields for full text or XML messages.

**Table 7-6 Common Fields for Full Text and XML Messages**

| Data Item (Plain Text and XML) | Description (Plain Text and XML)                                                                                                                                                                                                                                                                                                                                                                                                                                                                                                                        | XML Tag (XML Only)    |
|--------------------------------|---------------------------------------------------------------------------------------------------------------------------------------------------------------------------------------------------------------------------------------------------------------------------------------------------------------------------------------------------------------------------------------------------------------------------------------------------------------------------------------------------------------------------------------------------------|-----------------------|
| Time stamp                     | Date and time stamp of event in ISO time notation:<br><i>YYYY-MM-DD HH:MM:SS GMT+HH:MM.</i>                                                                                                                                                                                                                                                                                                                                                                                                                                                             | /aml/header/time      |
| Message name                   | Name of message. Specific event names are listed in <a href="#">Table 7-4</a> .                                                                                                                                                                                                                                                                                                                                                                                                                                                                         | /aml/header/name      |
| Message type                   | Name of message type, such as reactive or proactive.                                                                                                                                                                                                                                                                                                                                                                                                                                                                                                    | /aml/header/type      |
| Message group                  | Name of alert group, such as syslog.                                                                                                                                                                                                                                                                                                                                                                                                                                                                                                                    | /aml/header/group     |
| Severity level                 | Severity level of message (see the “ <a href="#">Smart Call Home Message Urgency Levels</a> ” section on page 7-5).                                                                                                                                                                                                                                                                                                                                                                                                                                     | /aml/header/level     |
| Source ID                      | Product type for routing, such as the Catalyst 6500 series switch.                                                                                                                                                                                                                                                                                                                                                                                                                                                                                      | /aml/header/source    |
| Device ID                      | Unique device identifier (UDI) for the end device that generated the message. This field should be empty if the message is nonspecific to a device. The format is <i>type@Sid@serial</i> . <ul style="list-style-type: none"> <li>• <i>type</i> is the product model number from the backplane IDPROM.</li> <li>• <i>@</i> is a separator character.</li> <li>• <i>Sid</i> is C, identifying the serial ID as a chassis serial number.</li> <li>• <i>serial</i> is the number identified by the Sid field.</li> </ul> An example is WS-C6509@C@12345678 | /aml/ header/deviceId |

**[Send document comments to nexus7k-docfeedback@cisco.com.](mailto:nexus7k-docfeedback@cisco.com)**

**Table 7-6 Common Fields for Full Text and XML Messages (continued)**

| Data Item (Plain Text and XML) | Description (Plain Text and XML)                                                                                                                                                                                                                                                                                                                                                                                                                                                                       | XML Tag (XML Only)               |
|--------------------------------|--------------------------------------------------------------------------------------------------------------------------------------------------------------------------------------------------------------------------------------------------------------------------------------------------------------------------------------------------------------------------------------------------------------------------------------------------------------------------------------------------------|----------------------------------|
| Customer ID                    | Optional user-configurable field used for contract information or other ID by any support service.                                                                                                                                                                                                                                                                                                                                                                                                     | /aml/ header/customerID          |
| Contract ID                    | Optional user-configurable field used for contract information or other ID by any support service.                                                                                                                                                                                                                                                                                                                                                                                                     | /aml/ header /contractId         |
| Site ID                        | Optional user-configurable field used for Cisco-supplied site ID or other data meaningful to alternate support service.                                                                                                                                                                                                                                                                                                                                                                                | /aml/ header/siteId              |
| Server ID                      | If the message is generated from the device, this is the unique device identifier (UDI) of the device.<br>The format is <i>type@Sid@serial</i> . <ul style="list-style-type: none"> <li><i>type</i> is the product model number from the backplane IDPROM.</li> <li><i>@</i> is a separator character.</li> <li><i>Sid</i> is C, identifying the serial ID as a chassis serial number.</li> <li><i>serial</i> is the number identified by the Sid field.</li> </ul> An example is WS-C6509@C@12345678. | /aml/header/serverId             |
| Message description            | Short text that describes the error.                                                                                                                                                                                                                                                                                                                                                                                                                                                                   | /aml/body/msgDesc                |
| Device name                    | Node that experienced the event (hostname of the device).                                                                                                                                                                                                                                                                                                                                                                                                                                              | /aml/body/sysName                |
| Contact name                   | Name of person to contact for issues associated with the node that experienced the event.                                                                                                                                                                                                                                                                                                                                                                                                              | /aml/body/sysContact             |
| Contact e-mail                 | E-mail address of person identified as the contact for this unit.                                                                                                                                                                                                                                                                                                                                                                                                                                      | /aml/body/sysContactEmail        |
| Contact phone number           | Phone number of the person identified as the contact for this unit.                                                                                                                                                                                                                                                                                                                                                                                                                                    | /aml/body/sysContactPhone Number |
| Street address                 | Optional field that contains the street address for RMA part shipments associated with this unit.                                                                                                                                                                                                                                                                                                                                                                                                      | /aml/body/sysStreetAddress       |
| Model name                     | Model name of the device (the specific model as part of a product family name).                                                                                                                                                                                                                                                                                                                                                                                                                        | /aml/body/chassis/name           |
| Serial number                  | Chassis serial number of the unit.                                                                                                                                                                                                                                                                                                                                                                                                                                                                     | /aml/body/chassis/serialNo       |
| Chassis part number            | Top assembly number of the chassis.                                                                                                                                                                                                                                                                                                                                                                                                                                                                    | /aml/body/chassis/partNo         |

Table 7-7 describes the fields specific to alert group messages for full text and XML. These fields may be repeated if multiple CLI commands are executed for an alert group.

**Table 7-7 Fields Specific to Alert Group Messages for Full Text and XML Messages**

| Data Item (Plain Text and XML) | Description (Plain Text and XML)      | XML Tag (XML Only)               |
|--------------------------------|---------------------------------------|----------------------------------|
| Command output name            | Exact name of the issued CLI command. | /aml/attachments/attachment/name |
| Attachment type                | Specific command output.              | /aml/attachments/attachment/type |

**[Send document comments to nexus7k-docfeedback@cisco.com.](mailto:nexus7k-docfeedback@cisco.com)**

**Table 7-7** Fields Specific to Alert Group Messages for Full Text and XML Messages (continued)

| Data Item<br>(Plain Text and XML) | Description<br>(Plain Text and XML)                                                                                      | XML Tag<br>(XML Only)            |
|-----------------------------------|--------------------------------------------------------------------------------------------------------------------------|----------------------------------|
| MIME type                         | Either plain text or encoding type.                                                                                      | /aml/attachments/attachment/mime |
| Command output text               | Output of command automatically executed (see the “ <a href="#">Smart Call Home Alert Groups</a> ” section on page 7-3). | /aml/attachments/attachment/ata  |

Table 7-8 describes the reactive and proactive event message format for full text or XML messages.

**Table 7-8** Inserted Fields for a Reactive and Proactive Event Message

| Data Item<br>(Plain Text and XML)  | Description<br>(Plain Text and XML)                            | XML Tag<br>(XML Only)       |
|------------------------------------|----------------------------------------------------------------|-----------------------------|
| Chassis hardware version           | Hardware version of chassis.                                   | /aml/body/chassis/hwVersion |
| Supervisor module software version | Top-level software version.                                    | /aml/body/chassis/swVersion |
| Affected FRU name                  | Name of the affected FRU that is generating the event message. | /aml/body/fru/name          |
| Affected FRU serial number         | Serial number of the affected FRU.                             | /aml/body/fru/serialNo      |
| Affected FRU part number           | Part number of the affected FRU.                               | /aml/body/fru/partNo        |
| FRU slot                           | Slot number of the FRU that is generating the event message.   | /aml/body/fru/slot          |
| FRU hardware version               | Hardware version of the affected FRU.                          | /aml/body/fru/hwVersion     |
| FRU software version               | Software version(s) that is running on the affected FRU.       | /aml/body/fru/swVersion     |

Table 7-9 describes the inventory event message format for full text or XML messages.

**Table 7-9** Inserted Fields for an Inventory Event Message

| Data Item<br>(Plain Text and XML)  | Description<br>(Plain Text and XML)                            | XML Tag<br>(XML Only)       |
|------------------------------------|----------------------------------------------------------------|-----------------------------|
| Chassis hardware version           | Hardware version of the chassis.                               | /aml/body/chassis/hwVersion |
| Supervisor module software version | Top-level software version.                                    | /aml/body/chassis/swVersion |
| FRU name                           | Name of the affected FRU that is generating the event message. | /aml/body/fru/name          |
| FRU s/n                            | Serial number of the FRU.                                      | /aml/body/fru/serialNo      |
| FRU part number                    | Part number of the FRU.                                        | /aml/body/fru/partNo        |
| FRU slot                           | Slot number of the FRU.                                        | /aml/body/fru/slot          |



***Send document comments to [nexus7k-docfeedback@cisco.com](mailto:nexus7k-docfeedback@cisco.com).***

**Table 7-9** *Inserted Fields for an Inventory Event Message (continued)*

| Data Item<br>(Plain Text and XML) | Description<br>(Plain Text and XML)             | XML Tag<br>(XML Only)   |
|-----------------------------------|-------------------------------------------------|-------------------------|
| FRU hardware version              | Hardware version of the FRU.                    | /aml/body/fru/hwVersion |
| FRU software version              | Software version(s) that is running on the FRU. | /aml/body/fru/swVersion |

Table 7-10 describes the user-generated test message format for full text or XML.

**Table 7-10** *Inserted Fields for a User-Generated Test Message*

| Data Item<br>(Plain Text and XML) | Description<br>(Plain Text and XML)                | XML Tag<br>(XML Only)          |
|-----------------------------------|----------------------------------------------------|--------------------------------|
| Process ID                        | Unique process ID.                                 | /aml/body/process/id           |
| Process state                     | State of process (for example, running or halted). | /aml/body/process/processState |
| Process exception                 | Exception or reason code.                          | /aml/body/process/exception    |

## Sample syslog Alert Notification in Full-Text Format

This sample shows the full-text format for a syslog port alert-group notification:

```
Severity Level:5
Series:Nexus7000
Switch Priority:0
Device Id:N7K-C7010@C@TXX12345678
Server Id:N7K-C7010@C@TXX12345678
Time of Event:2008-01-17 16:31:33 GMT+0000 Message Name:
Message Type:syslog
System Name:dc3-test
Contact Name:Jay Tester
Contact Email:contact@example.com
Contact Phone:+91-80-1234-5678
Street Address:#1 Any Street
Event Description:SYSLOG_ALERT 2008 Jan 17 16:31:33 dc3-test %ETHPORT-2-IF_SEQ_ERROR:
Error (0x20) while communicating with component MTS_SAP_ELTM
opcode:MTS_OPC_ETHPM_PORT_PHY_CLEANUP (for:RID_PORT: Ethernet3/1)

syslog_facility:ETHPORT
start chassis information:
Affected Chassis:N7K-C7010
Affected Chassis Serial Number:TXX12345678 Affected Chassis Hardware Version:0.405
Affected Chassis Software Version:4.1(1) Affected Chassis Part No:73-10900-04 end chassis
information:
start attachment
  name:show logging logfile | tail -n 200
  type:text
  data:
    2008 Jan 17 10:57:51 dc3-test %SYSLOG-1-SYSTEM_MSG : Logging logfile (messages)
cleared by user
```

***Send document comments to [nexus7k-docfeedback@cisco.com](mailto:nexus7k-docfeedback@cisco.com).***

```

2008 Jan 17 10:57:53 dc3-test %VSHD-5-VSHD_SYSLOG_CONFIG_I: Configuring console from
/dev/ttyS0 /dev/ttyS0_console
2008 Jan 17 10:58:35 dc3-test %VSHD-5-VSHD_SYSLOG_CONFIG_I: Configuring console from
/dev/ttyS0 /dev/ttyS0_console
2008 Jan 17 10:59:00 dc3-test %DAEMON-3-SYSTEM_MSG: error: setsockopt IP_TOS 16:
Invalid argument: - sshd[14484]
2008 Jan 17 10:59:05 dc3-test %VSHD-5-VSHD_SYSLOG_CONFIG_I: Configuring console from
/dev/ttyS0 /dev/ttyS0_console
2008 Jan 17 12:11:18 dc3-test %SYSMGR-STANDBY-5-SUBPROC_TERMINATED: "System Manager
(gsync controller)" (PID 12000) has finished with error code
SYSMGR_EXITCODE_GSYNCF FAILED_NONFATAL (12).
2008 Jan 17 16:28:03 dc3-test %VSHD-5-VSHD_SYSLOG_CONFIG_I: Configuring console from
/dev/ttyS0 /dev/ttyS0_console
2008 Jan 17 16:28:44 dc3-test %SYSMGR-3-BASIC_TRACE: core_copy: PID 2579 with message
Core not generated by system for eltm(0). WCOREDUMP(9) returned zero .
2008 Jan 17 16:28:44 dc3-test %SYSMGR-2-SERVICE_CRASHED: Service "eltm" (PID 3504)
hasn't caught signal 9 (no core).
2008 Jan 17 16:29:08 dc3-test %SYSMGR-3-BASIC_TRACE: core_copy: PID 2579 with message
Core not generated by system for eltm(0). WCOREDUMP(9) returned zero.
2008 Jan 17 16:29:08 dc3-test %SYSMGR-2-SERVICE_CRASHED: Service "eltm" (PID 23210)
hasn't caught signal 9 (no core).
2008 Jan 17 16:29:17 dc3-test %SYSMGR-3-BASIC_TRACE: core_copy: PID 2579 with message
Core not generated by system for eltm(0). WCOREDUMP(9) returned zero.
2008 Jan 17 16:29:17 dc3-test %SYSMGR-2-SERVICE_CRASHED: Service "eltm" (PID 23294)
hasn't caught signal 9 (no core).
2008 Jan 17 16:29:25 dc3-test %SYSMGR-2-HASWITCHOVER_PRE_START: This supervisor is
becoming active (pre-start phase).
2008 Jan 17 16:29:25 dc3-test %SYSMGR-2-HASWITCHOVER_START: This supervisor is
becoming active.
2008 Jan 17 16:29:26 dc3-test %USER-3-SYSTEM_MSG: crdcfg_get_srvinfo: mts_send failed
- device_test
2008 Jan 17 16:29:27 dc3-test %NETSTACK-3-IP_UNK_MSG_MAJOR: netstack [4336]
Unrecognized message from MRIB. Major type 1807
2008 Jan 17 16:29:27 dc3-test %IM-5-IM_INTF_STATE: mgmt0 is DOWN in vdc 1
2008 Jan 17 16:29:27 dc3-test %IM-5-IM_INTF_STATE: mgmt0 is DOWN in vdc 2
2008 Jan 17 16:29:27 dc3-test %IM-5-IM_INTF_STATE: mgmt0 is DOWN in vdc 3
2008 Jan 17 16:29:27 dc3-test %IM-5-IM_INTF_STATE: mgmt0 is DOWN in vdc 4
2008 Jan 17 16:29:28 dc3-test %SYSMGR-2-SWITCHOVER_OVER: Switchover completed.
2008 Jan 17 16:29:28 dc3-test %DAEMON-3-SYSTEM_MSG: ntp:socket family : 2 -
ntpd[19045]
2008 Jan 17 16:29:28 dc3-test %DAEMON-3-SYSTEM_MSG: ntp:socket family : 10 -
ntpd[19045]
2008 Jan 17 16:29:28 dc3-test %DAEMON-3-SYSTEM_MSG: ntp:ipv6 only defined -
ntpd[19045]
2008 Jan 17 16:29:28 dc3-test %DAEMON-3-SYSTEM_MSG: ntp:bindv6 only defined -
ntpd[19045]
2008 Jan 17 16:29:28 dc3-test %DAEMON-3-SYSTEM_MSG: ntp:socket family : 2 -
ntpd[19045]
2008 Jan 17 16:29:28 dc3-test %DAEMON-3-SYSTEM_MSG: ntp:socket family : 0 -
ntpd[19045]
2008 Jan 17 16:29:28 dc3-test %DAEMON-3-SYSTEM_MSG: ntp:socket family : 0 -
ntpd[19045]
2008 Jan 17 16:29:28 dc3-test %NETSTACK-3-CLIENT_GET: netstack [4336] HA client
filter recovery failed (0)
2008 Jan 17 16:29:28 dc3-test %NETSTACK-3-CLIENT_GET: netstack [4336] HA client
filter recovery failed (0)
2008 Jan 17 16:29:29 dc3-test %DAEMON-3-SYSTEM_MSG: ssh disabled, removing -
dcos-xinetd[19072]
2008 Jan 17 16:29:29 dc3-test %DAEMON-3-SYSTEM_MSG: Telnet disabled, removing -
dcos-xinetd[19072]
2008 Jan 17 16:29:31 dc3-test %DAEMON-3-SYSTEM_MSG: Telnet disabled, removing -
dcos-xinetd[19073]
2008 Jan 17 16:29:32 dc3-test %DAEMON-3-SYSTEM_MSG: ssh disabled, removing -
dcos-xinetd[19079]

```

**Send document comments to [nexus7k-docfeedback@cisco.com](mailto:nexus7k-docfeedback@cisco.com).**

```

2008 Jan 17 16:29:32 dc3-test %DAEMON-3-SYSTEM_MSG: Telnet disabled, removing -
dcos-xinetd[19079]
2008 Jan 17 16:29:34 dc3-test %IM-5-IM_INTF_STATE: mgmt0 is UP in vdc 1
2008 Jan 17 16:29:34 dc3-test %IM-5-IM_INTF_STATE: mgmt0 is UP in vdc 2
2008 Jan 17 16:29:34 dc3-test %IM-5-IM_INTF_STATE: mgmt0 is UP in vdc 3
2008 Jan 17 16:29:34 dc3-test %IM-5-IM_INTF_STATE: mgmt0 is UP in vdc 4
2008 Jan 17 16:29:34 dc3-test %DAEMON-3-SYSTEM_MSG: ssh disabled, removing -
dcos-xinetd[19105]
2008 Jan 17 16:29:34 dc3-test %DAEMON-3-SYSTEM_MSG: Telnet disabled, removing -
dcos-xinetd[19105]
2008 Jan 17 16:29:35 dc3-test %PLATFORM-2-PS_AC_IN_MISSING: Power supply 2 present but
all AC inputs are not connected, ac-redundancy might be affected
2008 Jan 17 16:29:35 dc3-test %PLATFORM-2-PS_AC_IN_MISSING: Power supply 3 present but
all AC inputs are not connected, ac-redundancy might be affected
2008 Jan 17 16:29:38 dc3-test %CALLHOME-2-EVENT: SUP_FAILURE
2008 Jan 17 16:29:46 dc3-test vsh[19166]: CLIC-3-FAILED_EXEC: Can not exec command
<more> return code <14>
2008 Jan 17 16:30:24 dc3-test vsh[23810]: CLIC-3-FAILED_EXEC: Can not exec command
<more> return code <14>
2008 Jan 17 16:30:24 dc3-test vsh[23803]: CLIC-3-FAILED_EXEC: Can not exec command
<more> return code <14>
2008 Jan 17 16:30:24 dc3-test vsh[23818]: CLIC-3-FAILED_EXEC: Can not exec command
<more> return code <14>
2008 Jan 17 16:30:47 dc3-test %SYSMGR-3-BASIC_TRACE: core_copy: PID 2630 with message
Core not generated by system for eltm(0). WCOREDUMP(9) returned zero .
2008 Jan 17 16:30:47 dc3-test %SYSMGR-2-SERVICE_CRASHED: Service "eltm" (PID 4820)
hasn't caught signal 9 (no core).
2008 Jan 17 16:31:02 dc3-test %SYSMGR-3-BASIC_TRACE: core_copy: PID 2630 with message
Core not generated by system for eltm(0). WCOREDUMP(9) returned zero .
2008 Jan 17 16:31:02 dc3-test %SYSMGR-2-SERVICE_CRASHED: Service "eltm" (PID 24239)
hasn't caught signal 9 (no core).
2008 Jan 17 16:31:14 dc3-test %SYSMGR-3-BASIC_TRACE: core_copy: PID 2630 with message
Core not generated by system for eltm(0). WCOREDUMP(9) returned zero .
2008 Jan 17 16:31:14 dc3-test %SYSMGR-2-SERVICE_CRASHED: Service "eltm" (PID 24401)
hasn't caught signal 9 (no core).
2008 Jan 17 16:31:23 dc3-test %CALLHOME-2-EVENT: SW_CRASH alert for service: eltm
2008 Jan 17 16:31:23 dc3-test %SYSMGR-3-BASIC_TRACE: core_copy: PID 2630 with message
Core not generated by system for eltm(0). WCOREDUMP(9) returned zero .
2008 Jan 17 16:31:23 dc3-test %SYSMGR-2-SERVICE_CRASHED: Service "eltm" (PID 24407)
hasn't caught signal 9 (no core).
2008 Jan 17 16:31:24 dc3-test vsh[24532]: CLIC-3-FAILED_EXEC: Can not exec command
<more> return code <14>
2008 Jan 17 16:31:24 dc3-test vsh[24548]: CLIC-3-FAILED_EXEC: Can not exec command
<more> return code <14>
2008 Jan 17 16:31:24 dc3-test vsh[24535]: CLIC-3-FAILED_EXEC: Can not exec command
<more> return code <14>
2008 Jan 17 16:31:33 dc3-test %NETSTACK-3-INTERNAL_ERROR: netstack [4336] (null)
2008 Jan 17 16:31:33 dc3-test %ETHPORT-2-IF_SEQ_ERROR: Error (0x20) while
communicating with component MTS_SAP_ELTM opcode:MTS_OPC_ETHPM_PORT_PHY_CLEANUP
(for:RID_PORT: Ethernet3/1) end attachment start attachment
name:show vdc membership
type:text
data:

vdc_id: 1 vdc_name: dc3-test interfaces:
    Ethernet3/1          Ethernet3/2          Ethernet3/3
    Ethernet3/4          Ethernet3/5          Ethernet3/6
    Ethernet3/7          Ethernet3/8          Ethernet3/9
    Ethernet3/10         Ethernet3/11         Ethernet3/12
    Ethernet3/13         Ethernet3/14         Ethernet3/15
    Ethernet3/16         Ethernet3/17         Ethernet3/18
    Ethernet3/19         Ethernet3/20         Ethernet3/21
    Ethernet3/22         Ethernet3/23         Ethernet3/24
    Ethernet3/25         Ethernet3/26         Ethernet3/27

```

***Send document comments to [nexus7k-docfeedback@cisco.com](mailto:nexus7k-docfeedback@cisco.com).***

```

Ethernet3/28      Ethernet3/29      Ethernet3/30
Ethernet3/31      Ethernet3/32      Ethernet3/33
Ethernet3/34      Ethernet3/35      Ethernet3/36
Ethernet3/37      Ethernet3/38      Ethernet3/39
Ethernet3/40      Ethernet3/41      Ethernet3/42
Ethernet3/43      Ethernet3/44      Ethernet3/45
Ethernet3/46      Ethernet3/47      Ethernet3/48

vdc_id: 2 vdc_name: dc3-aaa interfaces:

vdc_id: 3 vdc_name: dc3-rbac interfaces:

vdc_id: 4 vdc_name: dc3-call interfaces:

end attachment
start attachment
  name:show vdc current-vdc
  type:text
  data:
  Current vdc is 1 - dc3-test
end attachment
start attachment
  name:show license usage
  type:text
  data:
  Feature                               Ins  Lic  Status Expiry Date Comments
                                     Count
-----
LAN_ADVANCED_SERVICES_PKG              Yes  -   In use Never      -
LAN_ENTERPRISE_SERVICES_PKG            Yes  -   Unused Never      -
-----
end attachment

```

## Sample syslog Alert Notification in XML Format

This sample shows the XML format for a syslog port alert-group notification:

```

<?xml version="1.0" encoding="UTF-8" ?>
<soap-env:Envelope xmlns:soap-env="http://www.w3.org/2003/05/soap-envelope">
<soap-env:Header>
<aml-session:Session xmlns:aml-session="http://www.cisco.com/2004/01/aml-session"
soap-env:mustUnderstand="true"
soap-env:role="http://www.w3.org/2003/05/soap-envelope/role/next">
<aml-session:To>http://tools.cisco.com/neddce/services/DDCEService</aml-session:To>
<aml-session:Path>
<aml-session:Via>http://www.cisco.com/appliance/uri</aml-session:Via>
</aml-session:Path>
<aml-session:From>http://www.cisco.com/appliance/uri</aml-session:From>
<aml-session:MessageId>1004:TXX12345678:478F82E6</aml-session:MessageId>
</aml-session:Session>
</soap-env:Header>
<soap-env:Body>
<aml-block:Block xmlns:aml-block="http://www.cisco.com/2004/01/aml-block">
<aml-block:Header>
<aml-block:Type>http://www.cisco.com/2005/05/callhome/syslog</aml-block:Type>
<aml-block:CreationDate>2008-01-17 16:31:33 GMT+0000</aml-block:CreationDate>
<aml-block:Builder> <aml-block:Name>DC3</aml-block:Name>
<aml-block:Version>4.1</aml-block:Version>
</aml-block:Header>

```

***Send document comments to [nexus7k-docfeedback@cisco.com](mailto:nexus7k-docfeedback@cisco.com).***

```

<aml-block:BlockGroup>
<aml-block:GroupId>1005:TXX12345678:478F82E6</aml-block:GroupId>
<aml-block:Number>0</aml-block:Number>
<aml-block:IsLast>>true</aml-block:IsLast>
<aml-block:IsPrimary>>true</aml-block:IsPrimary>
<aml-block:WaitForPrimary>>false</aml-block:WaitForPrimary>
</aml-block:BlockGroup>
<aml-block:Severity>5</aml-block:Severity>
</aml-block:Header>
<aml-block:Content>
<ch:CallHome xmlns:ch="http://www.cisco.com/2005/05/callhome" version="1.0">
<ch:EventTime>2008-01-17 16:31:33 GMT+0000</ch:EventTime>
<ch:MessageDescription>SYSLOG_ALERT 2008 Jan 17 16:31:33 dc3-test %ETHPORT-2-IF_SEQ_ERROR:
Error (0x20) while communicating with component MTS_SAP_ELTM
opcode:MTS_OPC_ETHPM_PORT_PHY_CLEANUP (for:RID_PORT: Ethernet3/1) </ch:MessageDescription>
<ch:Event> <ch>Type>syslog</ch>Type> <ch:SubType></ch:SubType> <ch:Brand>Cisco</ch:Brand>
<ch:Series>Nexus7000</ch:Series> </ch:Event> <ch:CustomerData> <ch:UserData>
<ch:Email>contact@example.com</ch:Email>
</ch:UserData>
<ch:ContractData>
<ch:DeviceId>N7K-C7010@C@TXX12345678</ch:DeviceId>
</ch:ContractData>
<ch:SystemInfo>
<ch>Name>dc3-test</ch>Name>
<ch>Contact>Jay Tester</ch>Contact> <ch>ContactEmail>contact@example.com</ch>ContactEmail>
<ch:ContactPhoneNumber>+91-80-1234-5678</ch:ContactPhoneNumber>
<ch:StreetAddress>#1, Any Street</ch:StreetAddress> </ch:SystemInfo> </ch:CustomerData>
<ch:Device> <rme:Chassis xmlns:rme="http://www.cisco.com/rme/4.1">
<rme:Model>N7K-C7010</rme:Model>
<rme:HardwareVersion>0.405</rme:HardwareVersion>
<rme:SerialNumber>TXX12345678</rme:SerialNumber>
</rme:Chassis>
</ch:Device>
</ch:CallHome>
</aml-block:Content>
<aml-block:Attachments>
<aml-block:Attachment type="inline">
<aml-block:Name>show logging logfile | tail -n 200</aml-block:Name> <aml-block:Data
encoding="plain">
<![CDATA[2008 Jan 17 10:57:51 dc3-test %SYSLOG-1-SYSTEM_MSG : Logging logfile (messages)
cleared by user
2008 Jan 17 10:57:53 dc3-test %VSHD-5-VSHD_SYSLOG_CONFIG_I: Configuring console from
/dev/ttyS0 /dev/ttyS0_console
2008 Jan 17 10:58:35 dc3-test %VSHD-5-VSHD_SYSLOG_CONFIG_I: Configuring console from
/dev/ttyS0 /dev/ttyS0_console
2008 Jan 17 10:59:00 dc3-test %DAEMON-3-SYSTEM_MSG: error: setsockopt IP_TOS 16: Invalid
argument: - sshd[14484]
2008 Jan 17 10:59:05 dc3-test %VSHD-5-VSHD_SYSLOG_CONFIG_I: Configuring console from
/dev/ttyS0 /dev/ttyS0_console
2008 Jan 17 12:11:18 dc3-test %SYSMGR-STANDBY-5-SUBPROC_TERMINATED: "\"System Manager
(gsync controller)\" (PID 12000) has finished with error code
SYSMGR_EXITCODE_GSYNCFATAL_NONFATAL (12).
2008 Jan 17 16:28:03 dc3-test %VSHD-5-VSHD_SYSLOG_CONFIG_I: Configuring console from
/dev/ttyS0 /dev/ttyS0_console
2008 Jan 17 16:28:44 dc3-test %SYSMGR-3-BASIC_TRACE: core_copy: PID 2579 with message Core
not generated by system for eltm(0). WCOREDUMP(9) returned zero .
2008 Jan 17 16:28:44 dc3-test %SYSMGR-2-SERVICE_CRASHED: Service \"\"eltm\"\" (PID 3504)
hasn&apos;t caught signal 9 (no core).
2008 Jan 17 16:29:08 dc3-test %SYSMGR-3-BASIC_TRACE: core_copy: PID 2579 with message Core
not generated by system for eltm(0). WCOREDUMP(9) returned zero .
2008 Jan 17 16:29:08 dc3-test %SYSMGR-2-SERVICE_CRASHED: Service \"\"eltm\"\" (PID 23210)
hasn&apos;t caught signal 9 (no core).
2008 Jan 17 16:29:17 dc3-test %SYSMGR-3-BASIC_TRACE: core_copy: PID 2579 with message Core
not generated by system for eltm(0). WCOREDUMP(9) returned zero .
]]>

```

**Send document comments to [nexus7k-docfeedback@cisco.com](mailto:nexus7k-docfeedback@cisco.com).**

```

2008 Jan 17 16:29:17 dc3-test %SYSMGR-2-SERVICE_CRASHED: Service \"eltn\" (PID 23294)
hasn't caught signal 9 (no core).
2008 Jan 17 16:29:25 dc3-test %SYSMGR-2-HASWITCHOVER_PRE_START: This supervisor is
becoming active (pre-start phase).
2008 Jan 17 16:29:25 dc3-test %SYSMGR-2-HASWITCHOVER_START: This supervisor is becoming
active.
2008 Jan 17 16:29:26 dc3-test %USER-3-SYSTEM_MSG: crdcfg_get_srvinfo: mts_send failed -
device_test
2008 Jan 17 16:29:27 dc3-test %NETSTACK-3-IP_UNK_MSG_MAJOR: netstack [4336] Unrecognized
message from MRIB. Major type 1807
2008 Jan 17 16:29:27 dc3-test %IM-5-IM_INTF_STATE: mgmt0 is DOWN in vdc 1
2008 Jan 17 16:29:27 dc3-test %IM-5-IM_INTF_STATE: mgmt0 is DOWN in vdc 2
2008 Jan 17 16:29:27 dc3-test %IM-5-IM_INTF_STATE: mgmt0 is DOWN in vdc 3
2008 Jan 17 16:29:27 dc3-test %IM-5-IM_INTF_STATE: mgmt0 is DOWN in vdc 4
2008 Jan 17 16:29:28 dc3-test %SYSMGR-2-SWITCHOVER_OVER: Switchover completed.
2008 Jan 17 16:29:28 dc3-test %DAEMON-3-SYSTEM_MSG: ntp:socket family : 2 - ntpd[19045]
2008 Jan 17 16:29:28 dc3-test %DAEMON-3-SYSTEM_MSG: ntp:socket family : 10 - ntpd[19045]
2008 Jan 17 16:29:28 dc3-test %DAEMON-3-SYSTEM_MSG: ntp:ipv6 only defined - ntpd[19045]
2008 Jan 17 16:29:28 dc3-test %DAEMON-3-SYSTEM_MSG: ntp:bindv6 only defined - ntpd[19045]
2008 Jan 17 16:29:28 dc3-test %DAEMON-3-SYSTEM_MSG: ntp:socket family : 2 - ntpd[19045]
2008 Jan 17 16:29:28 dc3-test %DAEMON-3-SYSTEM_MSG: ntp:socket family : 0 - ntpd[19045]
2008 Jan 17 16:29:28 dc3-test %DAEMON-3-SYSTEM_MSG: ntp:socket family : 0 - ntpd[19045]
2008 Jan 17 16:29:28 dc3-test %NETSTACK-3-CLIENT_GET: netstack [4336] HA client filter
recovery failed (0)
2008 Jan 17 16:29:28 dc3-test %NETSTACK-3-CLIENT_GET: netstack [4336] HA client filter
recovery failed (0)
2008 Jan 17 16:29:29 dc3-test %DAEMON-3-SYSTEM_MSG: ssh disabled, removing -
dcos-xinetd[19072]
2008 Jan 17 16:29:29 dc3-test %DAEMON-3-SYSTEM_MSG: Telnet disabled, removing -
dcos-xinetd[19072]
2008 Jan 17 16:29:31 dc3-test %DAEMON-3-SYSTEM_MSG: Telnet disabled, removing -
dcos-xinetd[19073]
2008 Jan 17 16:29:32 dc3-test %DAEMON-3-SYSTEM_MSG: ssh disabled, removing -
dcos-xinetd[19079]
2008 Jan 17 16:29:32 dc3-test %DAEMON-3-SYSTEM_MSG: Telnet disabled, removing -
dcos-xinetd[19079]
2008 Jan 17 16:29:34 dc3-test %IM-5-IM_INTF_STATE: mgmt0 is UP in vdc 1
2008 Jan 17 16:29:34 dc3-test %IM-5-IM_INTF_STATE: mgmt0 is UP in vdc 2
2008 Jan 17 16:29:34 dc3-test %IM-5-IM_INTF_STATE: mgmt0 is UP in vdc 3
2008 Jan 17 16:29:34 dc3-test %IM-5-IM_INTF_STATE: mgmt0 is UP in vdc 4
2008 Jan 17 16:29:34 dc3-test %DAEMON-3-SYSTEM_MSG: ssh disabled, removing -
dcos-xinetd[19105]
2008 Jan 17 16:29:34 dc3-test %DAEMON-3-SYSTEM_MSG: Telnet disabled, removing -
dcos-xinetd[19105]
2008 Jan 17 16:29:35 dc3-test %PLATFORM-2-PS_AC_IN_MISSING: Power supply 2 present but all
AC inputs are not connected, ac-redundancy might be affected
2008 Jan 17 16:29:35 dc3-test %PLATFORM-2-PS_AC_IN_MISSING: Power supply 3 present but all
AC inputs are not connected, ac-redundancy might be affected
2008 Jan 17 16:29:38 dc3-test %CALLHOME-2-EVENT: SUP_FAILURE
2008 Jan 17 16:29:46 dc3-test vsh[19166]: CLIC-3-FAILED_EXEC: Can not exec command
<more>; return code <14>;
2008 Jan 17 16:30:24 dc3-test vsh[23810]: CLIC-3-FAILED_EXEC: Can not exec command
<more>; return code <14>;
2008 Jan 17 16:30:24 dc3-test vsh[23803]: CLIC-3-FAILED_EXEC: Can not exec command
<more>; return code <14>;
2008 Jan 17 16:30:24 dc3-test vsh[23818]: CLIC-3-FAILED_EXEC: Can not exec command
<more>; return code <14>;
2008 Jan 17 16:30:47 dc3-test %SYSMGR-3-BASIC_TRACE: core_copy: PID 2630 with message Core
not generated by system for eltn(0). WCOREDUMP(9) returned zero .
2008 Jan 17 16:30:47 dc3-test %SYSMGR-2-SERVICE_CRASHED: Service \"eltn\" (PID 4820)
hasn't caught signal 9 (no core).
2008 Jan 17 16:31:02 dc3-test %SYSMGR-3-BASIC_TRACE: core_copy: PID 2630 with message Core
not generated by system for eltn(0). WCOREDUMP(9) returned zero .

```

***Send document comments to [nexus7k-docfeedback@cisco.com](mailto:nexus7k-docfeedback@cisco.com).***

```

2008 Jan 17 16:31:02 dc3-test %SYSMGR-2-SERVICE_CRASHED: Service \"elmt\" (PID 24239)
hasn&apos;t caught signal 9 (no core).
2008 Jan 17 16:31:14 dc3-test %SYSMGR-3-BASIC_TRACE: core_copy: PID 2630 with message Core
not generated by system for eltm(0). WCOREDUMP(9) returned zero .
2008 Jan 17 16:31:14 dc3-test %SYSMGR-2-SERVICE_CRASHED: Service \"elmt\" (PID 24401)
hasn&apos;t caught signal 9 (no core).
2008 Jan 17 16:31:23 dc3-test %CALLHOME-2-EVENT: SW_CRASH alert for service: eltm
2008 Jan 17 16:31:23 dc3-test %SYSMGR-3-BASIC_TRACE: core_copy: PID 2630 with message Core
not generated by system for eltm(0). WCOREDUMP(9) returned zero .
2008 Jan 17 16:31:23 dc3-test %SYSMGR-2-SERVICE_CRASHED: Service \"elmt\" (PID 24407)
hasn&apos;t caught signal 9 (no core).
2008 Jan 17 16:31:24 dc3-test vsh[24532]: CLIC-3-FAILED_EXEC: Can not exec command
&lt;more&gt; return code &lt;14&gt;
2008 Jan 17 16:31:24 dc3-test vsh[24548]: CLIC-3-FAILED_EXEC: Can not exec command
&lt;more&gt; return code &lt;14&gt;
2008 Jan 17 16:31:24 dc3-test vsh[24535]: CLIC-3-FAILED_EXEC: Can not exec command
&lt;more&gt; return code &lt;14&gt;
2008 Jan 17 16:31:33 dc3-test %NETSTACK-3-INTERNAL_ERROR: netstack [4336] (null)
2008 Jan 17 16:31:33 dc3-test %ETHPORT-2-IF_SEQ_ERROR: Error (0x20) while communicating
with component MTS_SAP_ELTM opcode:MTS_OPC_ETHPM_PORT_PHY_CLEANUP (for:RID_PORT:
Ethernet3/1) ]]> </aml-block:Data> </aml-block:Attachment> <aml-block:Attachment
type="inline"> <aml-block:Name>show vdc membership</aml-block:Name> <aml-block:Data
encoding="plain"> <![CDATA[
vdc_id: 1 vdc_name: dc3-test interfaces:
    Ethernet3/1      Ethernet3/2      Ethernet3/3
    Ethernet3/4      Ethernet3/5      Ethernet3/6
    Ethernet3/7      Ethernet3/8      Ethernet3/9
    Ethernet3/10     Ethernet3/11     Ethernet3/12
    Ethernet3/13     Ethernet3/14     Ethernet3/15
    Ethernet3/16     Ethernet3/17     Ethernet3/18
    Ethernet3/19     Ethernet3/20     Ethernet3/21
    Ethernet3/22     Ethernet3/23     Ethernet3/24
    Ethernet3/25     Ethernet3/26     Ethernet3/27
    Ethernet3/28     Ethernet3/29     Ethernet3/30
    Ethernet3/31     Ethernet3/32     Ethernet3/33
    Ethernet3/34     Ethernet3/35     Ethernet3/36
    Ethernet3/37     Ethernet3/38     Ethernet3/39
    Ethernet3/40     Ethernet3/41     Ethernet3/42
    Ethernet3/43     Ethernet3/44     Ethernet3/45
    Ethernet3/46     Ethernet3/47     Ethernet3/48

vdc_id: 2 vdc_name: dc3-aaa interfaces:

vdc_id: 3 vdc_name: dc3-rbac interfaces:

vdc_id: 4 vdc_name: dc3-call interfaces:

]]>
</aml-block:Data>
</aml-block:Attachment>
<aml-block:Attachment type="inline">
<aml-block:Name>show vdc current-vdc</aml-block:Name> <aml-block:Data encoding="plain">
<![CDATA[Current vdc is 1 - dc3-test ]]> </aml-block:Data> </aml-block:Attachment>
<aml-block:Attachment type="inline"> <aml-block:Name>show license usage</aml-block:Name>
<aml-block:Data encoding="plain">
<![CDATA[Feature                               Ins Lic   Status Expiry Date Comments
  Count
-----
LAN_ADVANCED_SERVICES_PKG      Yes  -   In use Never      -
LAN_ENTERPRISE_SERVICES_PKG    Yes  -   Unused Never      -
-----
]]>

```

***Send document comments to [nexus7k-docfeedback@cisco.com](mailto:nexus7k-docfeedback@cisco.com).***

```
</aml-block:Data>
</aml-block:Attachment>
</aml-block:Attachments>
</aml-block:Block>
</soap-env:Body>
</soap-env:Envelope>
```

## Related Documents

| Related Topic                | Document Title                                                                               |
|------------------------------|----------------------------------------------------------------------------------------------|
| Smart Call Home CLI commands | <i>Cisco Nexus 7000 Series NX-OS System Management Command Reference</i>                     |
| VDCs and VRFs                | <i>Cisco Nexus 7000 Series NX-OS Virtual Device Context Configuration Guide, Release 5.x</i> |

## Standards

| Standards                                                                                                                             | Title |
|---------------------------------------------------------------------------------------------------------------------------------------|-------|
| No new or modified standards are supported by this feature, and support for existing standards has not been modified by this feature. | —     |

## MIBs

| MIBs                                                                 | MIBs Link                                                                                                                                                                                          |
|----------------------------------------------------------------------|----------------------------------------------------------------------------------------------------------------------------------------------------------------------------------------------------|
| <ul style="list-style-type: none"> <li>CISCO-CALLHOME-MIB</li> </ul> | To locate and download MIBs, go to the following URL:<br><a href="http://www.cisco.com/public/sw-center/netmgmt/cmtk/mibs.shtml">http://www.cisco.com/public/sw-center/netmgmt/cmtk/mibs.shtml</a> |

## Feature History for Smart Call Home

Table 7-11 lists the release history for this feature.

**Table 7-11** Feature History for Smart Call Home

| Feature Name                                               | Releases | Feature Information                                                                                                                                                          |
|------------------------------------------------------------|----------|------------------------------------------------------------------------------------------------------------------------------------------------------------------------------|
| HTTP proxy server                                          | 5.2(1)   | Added the ability to send HTTP messages through an HTTP proxy server. See the “ <a href="#">Configuring an HTTP Proxy Server</a> ” section on page 7-23.                     |
| Smart Call Home                                            | 5.1(1)   | No change from Release 5.0.                                                                                                                                                  |
| SMTP server configuration                                  | 5.0(2)   | Added the ability to configure multiple SMTP servers. See the “ <a href="#">Configuring E-Mail</a> ” section on page 7-19.                                                   |
| VRF support for HTTP transport of Smart Call Home messages | 5.0(2)   | VRFs can be used to send e-mail and other Smart Call Home messages over HTTP. See the “ <a href="#">Configuring VRFs To Send Messages Using HTTP</a> ” section on page 7-21. |



***Send document comments to [nexus7k-docfeedback@cisco.com](mailto:nexus7k-docfeedback@cisco.com).***

**Table 7-11** Feature History for Smart Call Home (continued)

| Feature Name                      | Releases | Feature Information                                                                                                                                                                 |
|-----------------------------------|----------|-------------------------------------------------------------------------------------------------------------------------------------------------------------------------------------|
| Crash notifications               | 5.0(2)   | Messages are sent for process crashes on line cards. See the “Event Triggers” section on page 7-28.                                                                                 |
| Destination profile configuration | 4.1(3)   | The commands <b>destination-profile http</b> and <b>destination-profile transport-method</b> cannot be distributed. See the “Modifying a Destination Profile” section on page 7-14. |

***Send document comments to [nexus7k-docfeedback@cisco.com](mailto:nexus7k-docfeedback@cisco.com).***



## CHAPTER 8

# Configuring Rollback

---

This chapter describes how to configure the Rollback feature on Cisco NX-OS devices.

This chapter includes the following sections:

- [Information About Rollback, page 8-1](#)
- [Licensing Requirements, page 8-3](#)
- [Prerequisites for Rollback, page 8-3](#)
- [Guidelines and Limitations, page 8-3](#)
- [Default Settings, page 8-4](#)
- [Configuring Rollback, page 8-4](#)
- [Verifying the Rollback Configuration, page 8-6](#)
- [Configuration Example for Rollback, page 8-7](#)
- [Additional References, page 8-7](#)
- [Feature History for Rollback, page 8-8](#)

## Information About Rollback

This section includes the following topics:

- [Rollback Overview, page 8-1](#)
- [Automatically Generated System Checkpoints, page 8-2](#)
- [High Availability, page 8-2](#)
- [Virtualization Support, page 8-3](#)

## Rollback Overview

The rollback feature allows you to take a snapshot, or user checkpoint, of the Cisco NX-OS configuration and then reapply that configuration to your device at any point without having to reload the device. A rollback allows any authorized administrator to apply this checkpoint configuration without requiring expert knowledge of the features configured in the checkpoint.

Cisco NX-OS automatically creates system checkpoints as described in the “[Automatically Generated System Checkpoints](#)” section on page 8-2. You can use either a user or system checkpoint to perform a rollback.

## ***Send document comments to [nexus7k-docfeedback@cisco.com](mailto:nexus7k-docfeedback@cisco.com).***

You can create a checkpoint copy of the current running configuration at any time. Cisco NX-OS saves this checkpoint as an ASCII file which you can use to roll back the running configuration to the checkpoint configuration at a future time. You can create multiple checkpoints to save different versions of your running configuration.

When you roll back the running configuration, you can trigger the following rollback types:

- atomic—Implement a rollback only if no errors occur.
- best-effort—Implement a rollback and skip any errors.
- stop-at-first-failure—Implement a rollback that stops if an error occurs.

The default rollback type is atomic.

When you are ready to roll back to a checkpoint configuration, you can view the changes that will be applied to your current running configuration before committing to the rollback operation. If an error occurs during the rollback operation, you can choose to cancel the operation, or ignore the error and proceed with the rollback. If you cancel the operation, Cisco NX-OS provides a list of changes already applied before the error occurred. You need to clean up these changes manually.

## **Automatically Generated System Checkpoints**

The Cisco NX-OS software automatically generates system checkpoints to help you avoid a loss of configuration information. System checkpoints are generated by the following events:

- Disabling an enabled feature with the **no feature** command
- Removing an instance of a Layer 3 protocol, such as with the **no router bgp** command or the **no ip pim sparse-mode** command
- License expiration of a feature

If one of these events causes system configuration changes, the feature software creates a system checkpoint that you can use to roll back to the previous system configuration.

The system generated checkpoint filenames begin with “system-” and include the feature name. For example, the first time that you disable the EIGRP feature, the system creates the checkpoint named `system-fm-__inst_1__eigrp`.

## **High Availability**

Whenever a checkpoint is created using the **checkpoint** or **checkpoint *checkpoint\_name*** commands, the checkpoint is synchronized to the standby unit.

Rollback remembers the states of the checkpoint operation, so if the checkpoint operation is interrupted and the system is left in an inconsistent state, rollback can complete the checkpoint operation (synchronize the checkpoint with the standby unit) before proceeding with the rollback operation.

Your checkpoint files are still available after a process restart or supervisor switchover. Even if there is an interruption during the process restart or supervisor switchover, the checkpoint will complete successfully before proceeding with the operation. In a supervisor switchover, the checkpoint is completed on the new active unit.

If a process restart or supervisor switchover occurs during a rollback operation, after the restart or switchover completes, the rollback will resume from its previous state and complete successfully.

***Send document comments to [nexus7k-docfeedback@cisco.com](mailto:nexus7k-docfeedback@cisco.com).***

## Virtualization Support

Cisco NX-OS creates a checkpoint of the running configuration in the virtual device context (VDC) that you are logged into. You can create different checkpoint copies in each VDC. You cannot apply the checkpoint of one VDC into another VDC. By default, Cisco NX-OS places you in the default VDC. See the *Cisco Nexus 7000 Series NX-OS Virtual Device Context Configuration Guide, Release 5.x*.

VDC configuration does not support checkpoints for any operations, including (but not limited to) VDC creation, VDC deletion, VDC suspension, VDC reloading, VDC renaming, VDC interface allocation, shared interface allocation, FCoE VLAN allocation, resource allocation, and resource templates. You should create your checkpoint from within a specific VDC.

## Licensing Requirements

| Product     | License Requirement                                                                                                                                                                                                                                                                           |
|-------------|-----------------------------------------------------------------------------------------------------------------------------------------------------------------------------------------------------------------------------------------------------------------------------------------------|
| Cisco NX-OS | The rollback feature requires no license. Any feature not included in a license package is bundled with the Cisco NX-OS system images and is provided at no extra charge to you. For a complete explanation of the Cisco NX-OS licensing scheme, see the <i>Cisco NX-OS Licensing Guide</i> . |

## Prerequisites for Rollback

If you configure VDCs, install the Advanced Services license and go to the specific VDC. For more information, see the *Cisco Nexus 7000 Series NX-OS Virtual Device Context Configuration Guide, Release 5.x*.

To configure the rollback feature, you must have network-admin or vdc-admin user privileges.

## Guidelines and Limitations

Rollback has the following configuration guidelines and limitations:

- You can create up to ten checkpoint copies per VDC.
- You cannot apply the checkpoint file of one VDC into another VDC.
- You cannot apply a checkpoint configuration in a nondefault VDC if there is a change in the global configuration portion of the running configuration compared to the checkpoint configuration.
- Your checkpoint filenames must be 80 characters or less.
- You cannot start a checkpoint filename with the word *system*.
- Beginning in Cisco NX-OS Release 4.2(1), you can start a checkpoint filename with the word *auto*.
- Beginning in Cisco NX-OS Release 4.2(1), you can name a checkpoint file *summary* or any abbreviation of the word *summary*.
- Only one user can perform a checkpoint, rollback, or copy the running configuration to the startup configuration at the same time in a VDC.
- After the system executes the **write erase** or **reload** command, checkpoints are deleted. You can use the **clear checkpoint database** command to clear out all checkpoint files.

## Send document comments to [nexus7k-docfeedback@cisco.com](mailto:nexus7k-docfeedback@cisco.com).

- A rollback fails for NetFlow if during a rollback, you try to modify a record that is programmed in the hardware.
- Although rollback is not supported for checkpoints across software versions, users can perform rollback at their own discretion and can use the best-effort mode to recover from errors.
- When checkpoints are created on bootflash, differences with the running-system configuration cannot be performed before performing the rollback, and the system reports “No Changes.”
- Checkpoints are local to a virtual device context (VDC).
- Checkpoints created using the **checkpoint** and **checkpoint checkpoint\_name** commands are present upon a switchover for all VDCs.
- Checkpoints created in the default VDC are present upon reload unless a **write-erase** command is issued before a reload.
- Checkpoints created in nondefault VDCs are present upon reload only if a **copy running-config startup-config** command is issued in the applicable VDC *and* the default VDC.
- Rollback to files on bootflash is supported only on files created using the **checkpoint checkpoint\_name** command and not on any other type of ASCII file.
- Checkpoint names must be unique. You cannot overwrite previously saved checkpoints with the same name.
- Rollback is not supported in the storage VDC.

## Default Settings

Table 8-1 lists the default settings for rollback parameters.

**Table 8-1** Default Rollback Parameters

| Parameters    | Default |
|---------------|---------|
| rollback type | atomic  |

## Configuring Rollback

This section includes the following topics:

- [Creating a Checkpoint, page 8-4](#)
- [Implementing a Rollback, page 8-5](#)



### Note

Be aware that the Cisco NX-OS commands may differ from the Cisco IOS commands.

## Creating a Checkpoint

You can create up to ten checkpoints of your configuration per VDC.

***Send document comments to [nexus7k-docfeedback@cisco.com](mailto:nexus7k-docfeedback@cisco.com).***

## BEFORE YOU BEGIN

Make sure that you are in the correct VDC. To change the VDC, use the **switchto vdc** command.

## SUMMARY STEPS

1. **checkpoint** {[*cp-name*] [**description** *descr*] | **file** *filename* }  
**no checkpoint** *cp-name*
2. **show checkpoint** *cp-name* [**all**]

## DETAILED STEPS

|        | Command                                                                                                                                                              | Purpose                                                                                                                                                                                                                                                                                                                                                                                                                         |
|--------|----------------------------------------------------------------------------------------------------------------------------------------------------------------------|---------------------------------------------------------------------------------------------------------------------------------------------------------------------------------------------------------------------------------------------------------------------------------------------------------------------------------------------------------------------------------------------------------------------------------|
| Step 1 | <b>checkpoint</b> {[ <i>cp-name</i> ] [ <b>description</b> <i>descr</i> ]   <b>file</b> <i>filename</i> }<br><br><b>Example:</b><br>switch# <b>checkpoint</b> stable | Creates a checkpoint of the running configuration to either a user checkpoint name or a file. The checkpoint name can be any alphanumeric string up to 80 characters but cannot contain spaces. If you do not provide a name, Cisco NX-OS sets the checkpoint name to <i>user-checkpoint-number</i> where <i>number</i> is from 1 to 10.<br><br>The description can contain up to 80 alphanumeric characters, including spaces. |
|        | <b>no checkpoint</b> <i>cp-name</i><br><br><b>Example:</b><br>switch# <b>no checkpoint</b> stable                                                                    | You can use the <b>no</b> form of the <b>checkpoint</b> command to remove a checkpoint name.<br><br>Use the <b>delete</b> command to remove a checkpoint file.                                                                                                                                                                                                                                                                  |
| Step 2 | <b>show checkpoint</b> <i>cp-name</i> [ <b>all</b> ]<br><br><b>Example:</b><br>switch# <b>show checkpoint</b> stable                                                 | (Optional) Displays the contents of the checkpoint name.                                                                                                                                                                                                                                                                                                                                                                        |

## Implementing a Rollback

You can implement a rollback to a checkpoint name or file. Before you implement a rollback, you can view the differences between source and destination checkpoints that reference current or saved configurations.

For information about automatically generated system checkpoints, see the “[Automatically Generated System Checkpoints](#)” section on page 8-2.



### Note

If you make a configuration change during an atomic rollback, the rollback will fail.

## BEFORE YOU BEGIN

You are logged in to the device in EXEC mode for the correct VDC. To go to the correct VDC, use the **switchto vdc** command.

**Send document comments to [nexus7k-docfeedback@cisco.com](mailto:nexus7k-docfeedback@cisco.com).**

## SUMMARY STEPS

1. `show diff rollback-patch {checkpoint src-cp-name | running-config | startup-config | file source-file} {checkpoint dest-cp-name | running-config | startup-config | file dest-file}`
2. `rollback running-config {checkpoint cp-name | file cp-file} [atomic | best-effort | stop-at-first-failure]`

## DETAILED STEPS

|        | Command                                                                                                                                                                                                                                                                                         | Purpose                                                                                                                                                                                                                                                                                                                                                                                                                                                                                           |
|--------|-------------------------------------------------------------------------------------------------------------------------------------------------------------------------------------------------------------------------------------------------------------------------------------------------|---------------------------------------------------------------------------------------------------------------------------------------------------------------------------------------------------------------------------------------------------------------------------------------------------------------------------------------------------------------------------------------------------------------------------------------------------------------------------------------------------|
| Step 1 | <pre>show diff rollback-patch {checkpoint src-cp-name   running-config   startup-config   file source-file} {checkpoint dest-cp-name   running-config   startup-config   file dest-file}</pre> <p><b>Example:</b><br/>switch# show diff rollback-patch<br/>checkpoint stable running-config</p> | Displays the differences between the source and destination checkpoint selections.                                                                                                                                                                                                                                                                                                                                                                                                                |
| Step 2 | <pre>rollback running-config {checkpoint cp-name   file cp-file} [atomic   best-effort   stop-at-first-failure]</pre> <p><b>Example:</b><br/>switch# rollback running-config<br/>checkpoint stable</p>                                                                                          | <p>Creates a rollback to the specified checkpoint name or file. You can implement the following rollback types:</p> <ul style="list-style-type: none"> <li>• atomic—Implement a rollback only if no errors occur.</li> <li>• best-effort—Implement a rollback and skip any errors.</li> <li>• stop-at-first-failure—Implement a rollback that stops if an error occurs.</li> </ul> <p>The default is atomic.</p> <p>This example shows how to implement a rollback to a user checkpoint name.</p> |

## Verifying the Rollback Configuration

To display rollback configuration information, perform one of the following tasks:

| Command                                              | Purpose                                                                                                                                       |
|------------------------------------------------------|-----------------------------------------------------------------------------------------------------------------------------------------------|
| <code>show checkpoint <i>name</i> [all]</code>       | Displays the contents of the checkpoint name.                                                                                                 |
| <code>show checkpoint all [user   system]</code>     | Displays the contents of all checkpoints in the current VDC. You can limit the displayed checkpoints to user or system generated checkpoints. |
| <code>show checkpoint summary [user   system]</code> | Displays a list of all checkpoints in the current VDC. You can limit the displayed checkpoints to user or system generated checkpoints.       |



***Send document comments to [nexus7k-docfeedback@cisco.com](mailto:nexus7k-docfeedback@cisco.com).***

| Command                                                                                                                                                                                                                      | Purpose                                                                            |
|------------------------------------------------------------------------------------------------------------------------------------------------------------------------------------------------------------------------------|------------------------------------------------------------------------------------|
| <code>show diff rollback-patch {checkpoint <i>src-cp-name</i>   running-config   startup-config   file <i>source-file</i>} {checkpoint <i>dest-cp-name</i>   running-config   startup-config   file <i>dest-file</i>}</code> | Displays the differences between the source and destination checkpoint selections. |
| <code>show rollback log {exec   verify}</code>                                                                                                                                                                               | Displays the contents of the rollback log.                                         |

Use the `clear checkpoint database` command to delete all checkpoint files.

## Configuration Example for Rollback

This example shows how to create a checkpoint file and then implements a best-effort rollback to a user checkpoint name:

```
checkpoint stable
rollback running-config checkpoint stable best-effort
```

## Additional References

For additional information related to implementing a rollback, see the following sections:

- [Related Documents, page 8-7](#)
- [Standards, page 8-7](#)

## Related Documents

| Related Topic         | Document Title                                                                               |
|-----------------------|----------------------------------------------------------------------------------------------|
| Rollback CLI commands | <i>Cisco Nexus 7000 Series NX-OS System Management Command Reference</i>                     |
| Configuration files   | <i>Cisco Nexus 7000 Series NX-OS Fundamentals Configuration Guide, Release 5.x</i>           |
| VDCs                  | <i>Cisco Nexus 7000 Series NX-OS Virtual Device Context Configuration Guide, Release 5.x</i> |

## Standards

| Standards                                                                                                                             | Title |
|---------------------------------------------------------------------------------------------------------------------------------------|-------|
| No new or modified standards are supported by this feature, and support for existing standards has not been modified by this feature. | —     |

***Send document comments to [nexus7k-docfeedback@cisco.com](mailto:nexus7k-docfeedback@cisco.com).***

## Feature History for Rollback

Table 8-2 lists the release history for this feature.

**Table 8-2** Feature History for Rollback

| Feature Name                               | Releases | Feature Information                                                                                                                                                                                                                                                     |
|--------------------------------------------|----------|-------------------------------------------------------------------------------------------------------------------------------------------------------------------------------------------------------------------------------------------------------------------------|
| Rollback feature                           | 5.2(1)   | No change from Release 5.1.                                                                                                                                                                                                                                             |
| Rollback feature                           | 5.1(1)   | No change from Release 5.0.                                                                                                                                                                                                                                             |
| Rollback feature                           | 5.0(2)   | No change from Release 4.2.                                                                                                                                                                                                                                             |
| High Availability                          | 4.2(1)   | Checkpoint and rollback operations support high availability.<br>See the “ <a href="#">High Availability</a> ” section on page 8-2.                                                                                                                                     |
| Guidelines and Limitations                 | 4.2(1)   | Checkpoint file naming conventions changed.<br>Rollback to files on bootflash is supported only on files created using the <b>checkpoint</b> <i>checkpoint_name</i> command.<br>See the “ <a href="#">Guidelines and Limitations</a> ” section on page 8-3.             |
| Automatically generated system checkpoints | 4.2(1)   | The software automatically generates a system checkpoint when disabling a feature or license expiration could cause loss of configuration information.<br>See the “ <a href="#">Automatically Generated System Checkpoints</a> ” section on page 8-2.                   |
| Guidelines and Limitations                 | 4.1(3)   | A rollback fails for NetFlow if during rollback, you try to modify a record that is programmed in the hardware.<br>A rollback is not supported for checkpoints across software versions.<br>See the “ <a href="#">Guidelines and Limitations</a> ” section on page 8-3. |



## CHAPTER 9

# Configuring Session Manager

---

This chapter describes how to configure Session Manager on Cisco NX-OS devices.

This chapter includes the following sections:

- [Information About Session Manager, page 9-1](#)
- [Licensing Requirements for Session Manager, page 9-2](#)
- [Prerequisites for Session Manager, page 9-2](#)
- [Guidelines and Limitations, page 9-2](#)
- [Configuring Session Manager, page 9-3](#)
- [Verifying the Session Manager Configuration, page 9-6](#)
- [Configuration Example for Session Manager, page 9-6](#)
- [Additional References, page 9-7](#)
- [Feature History for Session Manager, page 9-7](#)

## Information About Session Manager

This section includes the following topics:

- [Session Manager Overview, page 9-1](#)
- [High Availability, page 9-2](#)
- [Virtualization Support, page 9-2](#)

## Session Manager Overview

Session Manager allows you to implement configuration changes in batch mode, using the following phases:

- **Configuration session**—Creates a list of commands that you want to implement in Session Manager mode.
- **Validation**—Provides a basic semantic check on your configuration. Cisco NX-OS returns an error if the semantic check fails on any part of the configuration.
- **Verification**—Verifies the configuration as a whole, based on the existing hardware and software configuration and resources. Cisco NX-OS returns an error if the configuration does not pass this verification phase.

## ***Send document comments to [nexus7k-docfeedback@cisco.com](mailto:nexus7k-docfeedback@cisco.com).***

- **Commit**—Cisco NX-OS verifies the complete configuration and applies the changes to the device. If a failure occurs, Cisco NX-OS reverts to the original configuration.
- **Abort**—Discards the configuration changes before implementation.

You can optionally end a configuration session without committing the changes. You can also save a configuration session.

## High Availability

Session Manager sessions remain available after a supervisor switchover. Sessions are not persistent across a software reload.

## Virtualization Support

By default, Cisco NX-OS places you in the default VDC. See the *Cisco Nexus 7000 Series NX-OS Virtual Device Context Configuration Guide, Release 5.x*.

# Licensing Requirements for Session Manager

| Product     | License Requirement                                                                                                                                                                                                                                                                      |
|-------------|------------------------------------------------------------------------------------------------------------------------------------------------------------------------------------------------------------------------------------------------------------------------------------------|
| Cisco NX-OS | Session Manager requires no license. Any feature not included in a license package is bundled with the Cisco NX-OS system images and is provided at no extra charge to you. For a complete explanation of the Cisco NX-OS licensing scheme, see the <i>Cisco NX-OS Licensing Guide</i> . |

## Prerequisites for Session Manager

If you configure VDCs, install the Advanced Services license and go to the specific VDC. For more information, see the *Cisco Nexus 7000 Series NX-OS Virtual Device Context Configuration Guide, Release 5.x*.

Make sure that you have the privilege level required to support the Session Manager commands that you plan to use.

## Guidelines and Limitations

Session Manager has the following configuration guidelines and limitations:

- Session Manager supports only the ACL and QoS features.
- You can create up to 32 configuration sessions per VDC.
- You cannot issue an in-service software upgrade (ISSU) if an active session is in progress. You must commit the session, save it, or abort it before issuing an ISSU.
- You can configure a maximum of 20,000 commands across all sessions in a VDC.

***Send document comments to [nexus7k-docfeedback@cisco.com](mailto:nexus7k-docfeedback@cisco.com).***

- You cannot simultaneously execute configuration commands in more than one configuration session or configuration terminal mode. Parallel configurations (for example, one configuration session and one configuration terminal) may cause validation or verification failures in the configuration session.
- If an interface reloads while you are configuring that interface in a configuration session, Session Manager may accept the commands even though the interface is not present in the device at that time.

## Configuring Session Manager

This section includes the following topics:

- [Creating a Session, page 9-3](#)
- [Configuring ACLs in a Session, page 9-4](#)
- [Verifying a Session, page 9-5](#)
- [Committing a Session, page 9-5](#)
- [Saving a Session, page 9-6](#)
- [Discarding a Session, page 9-6](#)



### Note

---

Be aware that the Cisco NX-OS commands may differ from Cisco IOS commands.

---

## Creating a Session

You can create up to 32 configuration sessions.

### BEFORE YOU BEGIN

Make sure that you are in the correct VDC. To change the VDC, use the **switchto vdc** command.

### SUMMARY STEPS

1. **configure session** *name*
2. **show configuration session** [*name*]
3. **save** *location*

***Send document comments to [nexus7k-docfeedback@cisco.com](mailto:nexus7k-docfeedback@cisco.com).***

## DETAILED STEPS

|        | Command                                                                                                                         | Purpose                                                                                                         |
|--------|---------------------------------------------------------------------------------------------------------------------------------|-----------------------------------------------------------------------------------------------------------------|
| Step 1 | <b>configure session</b> <i>name</i><br><br><b>Example:</b><br>switch# configure session myACLs<br>switch(config-s)#            | Creates a configuration session and enters session configuration mode. The name can be any alphanumeric string. |
| Step 2 | <b>show configuration session</b> [ <i>name</i> ]<br><br><b>Example:</b><br>switch(config-s)# show configuration session myACLs | (Optional) Displays the contents of the session.                                                                |
| Step 3 | <b>save</b> <i>location</i><br><br><b>Example:</b><br>switch(config-s)# save<br>bootflash:sessions/myACLs                       | (Optional) Saves the session to a file. The location can be in bootflash:, slot0:, or volatile:                 |

## Configuring ACLs in a Session

You can configure ACLs within a configuration session.

### BEFORE YOU BEGIN

Make sure that you are in the correct VDC. To change the VDC, use the **switchto vdc** command.

### SUMMARY STEPS

1. **configure session** *name*
2. **ip access-list** *name*
3. **permit** *protocol source destination*
4. **interface** *interface-type number*
5. **ip access-group** *name* {**in** | **out**}
6. **show configuration session** [*name*]

### DETAILED STEPS

|        | Command                                                                                                                    | Purpose                                                                                                         |
|--------|----------------------------------------------------------------------------------------------------------------------------|-----------------------------------------------------------------------------------------------------------------|
| Step 1 | <b>configure session</b> <i>name</i><br><br><b>Example:</b><br>switch# configure session myacl<br>switch(config-s)#        | Creates a configuration session and enters session configuration mode. The name can be any alphanumeric string. |
| Step 2 | <b>ip access-list</b> <i>name</i><br><br><b>Example:</b><br>switch(config-s)# ip access-list acl1<br>switch(config-s-acl)# | Creates an ALC and enters a configuration mode for that ACL.                                                    |

**Send document comments to [nexus7k-docfeedback@cisco.com](mailto:nexus7k-docfeedback@cisco.com).**

|        | Command                                                                                                                               | Purpose                                                            |
|--------|---------------------------------------------------------------------------------------------------------------------------------------|--------------------------------------------------------------------|
| Step 3 | <b>permit</b> <i>protocol source destination</i><br><br><b>Example:</b><br>switch(config-s-acl)# permit tcp any any                   | (Optional) Adds a permit statement to the ACL                      |
| Step 4 | <b>interface</b> <i>interface-type number</i><br><br><b>Example:</b><br>switch(config-s-acl)# interface e 2/1<br>switch(config-s-if)# | Enters interface configuration mode                                |
| Step 5 | <b>ip access-group</b> <i>name {in   out}</i><br><br><b>Example:</b><br>switch(config-s-if)# ip access-group<br>acl1 in               | Specifies the direction of traffic the access group is applied to. |
| Step 6 | <b>show configuration session</b> [ <i>name</i> ]<br><br><b>Example:</b><br>switch(config-s)# show configuration<br>session myacls    | (Optional) Displays the contents of the session.                   |

## Verifying a Session

Use the following command in session mode to verify a session:

| Command                                                                             | Purpose                                                                                                                                                                                            |
|-------------------------------------------------------------------------------------|----------------------------------------------------------------------------------------------------------------------------------------------------------------------------------------------------|
| <b>verify</b> [ <i>verbose</i> ]<br><br><b>Example:</b><br>switch(config-s)# verify | Verifies the configuration as a whole, based on the existing hardware and software configuration and resources. Cisco NX-OS returns an error if the configuration does not pass this verification. |

## Committing a Session

Use the following command in session mode to commit a session:

| Command                                                                             | Purpose                                                                                                                                                                                     |
|-------------------------------------------------------------------------------------|---------------------------------------------------------------------------------------------------------------------------------------------------------------------------------------------|
| <b>commit</b> [ <i>verbose</i> ]<br><br><b>Example:</b><br>switch(config-s)# commit | Validates the configuration changes made in the current session and applies valid changes to the device.<br><br>If the validation fails, Cisco NX-OS reverts to the original configuration. |

***Send document comments to [nexus7k-docfeedback@cisco.com](mailto:nexus7k-docfeedback@cisco.com).***

## Saving a Session

Use the following command in session mode to save a session:

| Command                                                                                                   | Purpose                                                                                          |
|-----------------------------------------------------------------------------------------------------------|--------------------------------------------------------------------------------------------------|
| <b>save</b> <i>location</i><br><br><b>Example:</b><br>switch(config-s)# save<br>bootflash:sessions/myACLs | (Optional) Saves the session to a file. The location can be in bootflash:, slot0:, or volatile:. |

## Discarding a Session

Use the following command in session mode to discard a session:

| Command                                                                   | Purpose                                                          |
|---------------------------------------------------------------------------|------------------------------------------------------------------|
| <b>abort</b><br><br><b>Example:</b><br>switch(config-s)# abort<br>switch# | Discards the configuration session without applying the changes. |

## Verifying the Session Manager Configuration

To display the Session Manager configuration information, perform one of the following tasks:

| Command                                                  | Purpose                                              |
|----------------------------------------------------------|------------------------------------------------------|
| <b>show configuration session</b> [ <i>name</i> ]        | Displays the contents of the configuration session.  |
| <b>show configuration session status</b> [ <i>name</i> ] | Displays the status of the configuration session.    |
| <b>show configuration session summary</b>                | Displays a summary of all the configuration session. |

## Configuration Example for Session Manager

This example shows how to create and commit an ACL configuration using Session Manager:

```
switch# configure session ACL_tcp_in
Config Session started, Session ID is 1
Enter configuration commands, one per line. End with CNTL/Z.
switch(config-s)# ip access-list ACL1
switch(config-s-acl)# permit tcp any any
switch(config)# interface e 7/1
switch(config-if)# ip access-group ACL1 in
switch(config-if)# exit
switch(config)# exit
switch# config session ACL_tcp_in
Config Session started, Session ID is 1
Enter configuration commands, one per line. End with CNTL/Z.
switch(config-s)# verify
Verification Successful
```



***Send document comments to [nexus7k-docfeedback@cisco.com](mailto:nexus7k-docfeedback@cisco.com).***

```
switch(config-s)# commit
Commit Successful
switch#
```

## Additional References

For additional information related to implementing Session Manager, see the following sections:

- [Related Documents, page 9-7](#)
- [Standards, page 9-7](#)

## Related Documents

| Related Topic                | Document Title                                                                               |
|------------------------------|----------------------------------------------------------------------------------------------|
| Session Manager CLI commands | <i>Cisco Nexus 7000 Series NX-OS System Management Command Reference</i>                     |
| Configuration files          | <i>Cisco Nexus 7000 Series NX-OS Fundamentals Configuration Guide, Release 5.x</i>           |
| VDCs                         | <i>Cisco Nexus 7000 Series NX-OS Virtual Device Context Configuration Guide, Release 5.x</i> |

## Standards

| Standards                                                                                                                             | Title |
|---------------------------------------------------------------------------------------------------------------------------------------|-------|
| No new or modified standards are supported by this feature, and support for existing standards has not been modified by this feature. | —     |

## Feature History for Session Manager

[Table 9-1](#) lists the release history for this feature.

**Table 9-1** Feature History for Session Manager

| Feature Name    | Releases | Feature Information         |
|-----------------|----------|-----------------------------|
| Session Manager | 5.2(1)   | No change from Release 5.1. |
| Session Manager | 5.1(1)   | No change from Release 5.0. |
| Session Manager | 5.0(2)   | No change from Release 4.2. |

***Send document comments to [nexus7k-docfeedback@cisco.com](mailto:nexus7k-docfeedback@cisco.com).***



## CHAPTER 10

# Configuring the Scheduler

---

This chapter describes how to configure the scheduler on Cisco NX-OS devices.

This chapter includes the following sections:

- [Information About the Scheduler, page 10-1](#)
- [Licensing Requirements for the Scheduler, page 10-3](#)
- [Prerequisites for the Scheduler, page 10-3](#)
- [Guidelines and Limitations, page 10-3](#)
- [Default Settings, page 10-3](#)
- [Configuring the Scheduler, page 10-4](#)
- [Verifying the Scheduler Configuration, page 10-13](#)
- [Configuration Examples for Scheduler, page 10-13](#)
- [Additional References, page 10-14](#)
- [Feature History for the Scheduler, page 10-15](#)

## Information About the Scheduler

The scheduler allows you to define and set a timetable for maintenance activities such as the following:

- Quality of Service policy changes
- Data backup
- Saving a configuration

Jobs consist of a single command or multiple commands that define routine activities. Jobs can be scheduled one time or at periodic intervals.

This section includes the following topics:

- [Scheduler Overview, page 10-2](#)
- [Remote User Authentication, page 10-2](#)
- [Logs, page 10-2](#)
- [High Availability, page 10-2](#)
- [Virtualization Support, page 10-2](#)

**[Send document comments to nexus7k-docfeedback@cisco.com.](mailto:nexus7k-docfeedback@cisco.com)**

## Scheduler Overview

The scheduler defines a job and its timetable as follows:

- Job—A routine task or tasks defined as a command list and completed according to a specified schedule.
- Schedule—The timetable for completing a job. You can assign multiple jobs to a schedule. A schedule is defined as either periodic or one-time only:
  - Periodic mode—A recurring interval that continues until you delete the job. You can configure the following types of intervals:
    - Daily—Job is completed once a day.
    - Weekly—Job is completed once a week.
    - Monthly—Job is completed once a month.
    - Delta—Job begins at the specified start time and then at specified intervals (days:hours:minutes).
  - One-time mode—Job is completed only once at a specified time.

## Remote User Authentication

Before starting a job, the scheduler authenticates the user who created the job. Since user credentials from a remote authentication are not retained long enough to support a scheduled job, you need to locally configure the authentication passwords for users who create jobs. These passwords are part of the scheduler configuration and are not considered a locally configured user.

Before starting the job, the scheduler validates the local password against the password from the remote authentication server.

## Logs

The scheduler maintains a log file containing the job output. If the size of the job output is greater than the size of the log file, then the output is truncated. For more information, see the [“Defining the Scheduler Log File Size” procedure on page 10-5](#).

## High Availability

Scheduled jobs remain available after a supervisor switchover or a software reload.

## Virtualization Support

Jobs are created in the virtual device context (VDC) that you are logged into. By default, Cisco NX-OS places you in the default VDC. For more information, see the *Cisco Nexus 7000 Series NX-OS Virtual Device Context Configuration Guide, Release 5.x*.

***Send document comments to [nexus7k-docfeedback@cisco.com](mailto:nexus7k-docfeedback@cisco.com).***

## Licensing Requirements for the Scheduler

| Product     | License Requirement                                                                                                                                                                                                                                                                    |
|-------------|----------------------------------------------------------------------------------------------------------------------------------------------------------------------------------------------------------------------------------------------------------------------------------------|
| Cisco NX-OS | The scheduler requires no license. Any feature not included in a license package is bundled with the Cisco NX-OS system images and is provided at no extra charge to you. For a complete explanation of the Cisco NX-OS licensing scheme, see the <i>Cisco NX-OS Licensing Guide</i> . |

## Prerequisites for the Scheduler

The scheduler has the following prerequisites:

- You must enable any conditional features before you can configure those features in a job.
- You must have a valid license installed for any licensed features that you want to configure in the job.
- You must have network-admin or vdc-admin user privileges to configure a scheduled job.

## Guidelines and Limitations

The scheduler has the following configuration guidelines and limitations:

- The scheduler can fail if it encounters one of the following while performing a job:
  - If the license has expired for a feature at the time the job for that feature is scheduled.
  - If a feature is disabled at the time when a job for that feature is scheduled.
  - If you have removed a module from a slot and a job for that slot is scheduled.
- Verify that you have configured the time. The scheduler does not apply a default timetable. If you create a schedule and assign jobs and do not configure the time, the job is not started.
- While defining a job, verify that no interactive or disruptive commands (for example, **copy bootflash: file ftp: URI, write erase**, and other similar commands) are specified because the job is started and conducted noninteractively.

## Default Settings

Table 10-1 lists the scheduler default settings.

**Table 10-1** Default Command Scheduler Parameters

| Parameters      | Default   |
|-----------------|-----------|
| Scheduler state | Disabled. |
| Log file size   | 16 KB.    |

*Send document comments to [nexus7k-docfeedback@cisco.com](mailto:nexus7k-docfeedback@cisco.com).*

## Configuring the Scheduler

This section includes the following topics:

- [Enabling the Scheduler, page 10-4](#)
- [Defining the Scheduler Log File Size, page 10-5](#)
- [Configuring Remote User Authentication, page 10-6](#)
- [Defining a Job, page 10-7](#)
- [Deleting a Job, page 10-8](#)
- [Defining a Timetable, page 10-9](#)
- [Clearing the Scheduler Log File, page 10-11](#)
- [Disabling the Scheduler, page 10-12](#)

## Enabling the Scheduler

You can enable the scheduler feature so that you can configure and schedule jobs.

### BEFORE YOU BEGIN

Make sure that you are in the correct VDC. To change the VDC, use the **switchto vdc** command.

### SUMMARY STEPS

1. **config t**
2. **feature scheduler**
3. **show scheduler config**
4. **copy running-config startup-config**

***Send document comments to [nexus7k-docfeedback@cisco.com](mailto:nexus7k-docfeedback@cisco.com).***

## DETAILED STEPS

:

|        | Command or Action                                                                                                                                                                               | Purpose                                                                                                                                  |
|--------|-------------------------------------------------------------------------------------------------------------------------------------------------------------------------------------------------|------------------------------------------------------------------------------------------------------------------------------------------|
| Step 1 | <b>config t</b><br><br><b>Example:</b><br>switch# config t<br>Enter configuration commands, one per line.<br>End with CNTL/Z.<br>switch(config)#                                                | Places you in global configuration mode.                                                                                                 |
| Step 2 | <b>feature scheduler</b><br><br><b>Example:</b><br>switch(config)# feature scheduler                                                                                                            | Enables the scheduler in the current VDC.                                                                                                |
| Step 3 | <b>show scheduler config</b><br><br><b>Example:</b><br>switch(config)# show scheduler config<br>config terminal<br>feature scheduler<br>scheduler logfile size 16<br>end<br><br>switch(config)# | (Optional) Displays the scheduler configuration.                                                                                         |
| Step 4 | <b>copy running-config startup-config</b><br><br><b>Example:</b><br>switch(config)# copy running-config<br>startup-config                                                                       | (Optional) Saves the change persistently through reboots and restarts by copying the running configuration to the startup configuration. |

## Defining the Scheduler Log File Size

You can configure the log file size for capturing jobs, schedules, and job output.

### BEFORE YOU BEGIN

Make sure that you are in the correct VDC. To change the VDC, use the **switchto vdc** command.

### SUMMARY STEPS

1. **config t**
2. **scheduler logfile size *value***
3. **copy running-config startup-config**

**Send document comments to [nexus7k-docfeedback@cisco.com](mailto:nexus7k-docfeedback@cisco.com).**

## DETAILED STEPS

|        | Command or Action                                                                                                                             | Purpose                                                                                                                                                                                                                     |
|--------|-----------------------------------------------------------------------------------------------------------------------------------------------|-----------------------------------------------------------------------------------------------------------------------------------------------------------------------------------------------------------------------------|
| Step 1 | <b>config t</b><br><br><b>Example:</b><br>switch# config t<br>Enter configuration commands, one per line. End with CNTL/Z.<br>switch(config)# | Places you in global configuration mode.                                                                                                                                                                                    |
| Step 2 | <b>scheduler logfile size value</b><br><br><b>Example:</b><br>switch(config)# scheduler logfile size 1024                                     | Defines the scheduler log file size in kilobytes. The range is from 16 to 1024. The default is 16.<br><br><b>Note</b> If the size of the job output is greater than the size of the log file, then the output is truncated. |
| Step 3 | <b>copy running-config startup-config</b><br><br><b>Example:</b><br>switch(config)# copy running-config startup-config                        | (Optional) Saves the change persistently through reboots and restarts by copying the running configuration to the startup configuration.                                                                                    |

## Configuring Remote User Authentication

You can configure the scheduler to use remote authentication for users who want to configure and schedule jobs.



### Note

Remote users must authenticate with their clear text password before creating and configuring jobs.



### Note

Remote user passwords are always shown in encrypted form in the output of the **show running-config** command. The encrypted option (**7**) in the command supports the ASCII device configuration.

## BEFORE YOU BEGIN

Make sure that you are in the correct VDC. To change the VDC, use the **switchto vdc** command.

## SUMMARY STEPS

1. **config t**
2. **scheduler aaa-authentication password [0 | 7] password**
3. **scheduler aaa-authentication username name password [0 | 7] password**
4. **show running-config | include "scheduler aaa-authentication"**
5. **copy running-config startup-config**



**Send document comments to [nexus7k-docfeedback@cisco.com](mailto:nexus7k-docfeedback@cisco.com).**

## DETAILED STEPS

:

|        | Command or Action                                                                                                                                                                                       | Purpose                                                                                                                                  |
|--------|---------------------------------------------------------------------------------------------------------------------------------------------------------------------------------------------------------|------------------------------------------------------------------------------------------------------------------------------------------|
| Step 1 | <pre>config t</pre> <p><b>Example:</b><br/> switch# config t<br/> Enter configuration commands, one per line.<br/> End with CNTL/Z.<br/> switch(config)#</p>                                            | Places you in global configuration mode.                                                                                                 |
| Step 2 | <pre>scheduler aaa-authentication password [0   7] password</pre> <p><b>Example:</b><br/> switch(config)# scheduler<br/> aaa-authentication password X12y34Z56a</p>                                     | Configures a clear text password for the user who is currently logged in.                                                                |
| Step 3 | <pre>scheduler aaa-authentication username name password [0   7] password</pre> <p><b>Example:</b><br/> switch(config)# scheduler<br/> aaa-authentication username newuser<br/> password Z98y76X54b</p> | Configures a clear text password for a remote user.                                                                                      |
| Step 4 | <pre>show running-config   include "scheduler aaa-authentication"</pre> <p><b>Example:</b><br/> switch(config)# show running-config   include "scheduler aaa-authentication"</p>                        | (Optional) Displays the scheduler password information.                                                                                  |
| Step 5 | <pre>copy running-config startup-config</pre> <p><b>Example:</b><br/> switch(config)# copy running-config startup-config</p>                                                                            | (Optional) Saves the change persistently through reboots and restarts by copying the running configuration to the startup configuration. |

## Defining a Job

You can define a job including the job name and the command sequence.



### Caution

Once a job is defined, you cannot modify or remove a command. To change the job, you must delete it and create a new one.

## BEFORE YOU BEGIN

Make sure that you are in the correct VDC. To change the VDC, use the **switchto vdc** command.

## SUMMARY STEPS

1. **config t**
2. **scheduler job name *string***

**Send document comments to [nexus7k-docfeedback@cisco.com](mailto:nexus7k-docfeedback@cisco.com).**

3. `command1 ;[command2 ;command3 ;...]`
4. `show scheduler job [name name]`
5. `copy running-config startup-config`

## DETAILED STEPS

|        | Command                                                                                                                                                                                                                                                                                                                       | Purpose                                                                                                                                                                                                                                                                                                                                                                      |
|--------|-------------------------------------------------------------------------------------------------------------------------------------------------------------------------------------------------------------------------------------------------------------------------------------------------------------------------------|------------------------------------------------------------------------------------------------------------------------------------------------------------------------------------------------------------------------------------------------------------------------------------------------------------------------------------------------------------------------------|
| Step 1 | <b>config t</b><br><br><b>Example:</b><br>switch# config t<br>Enter configuration commands, one per line.<br>End with CNTL/Z.<br>switch(config)#                                                                                                                                                                              | Places you in global configuration mode.                                                                                                                                                                                                                                                                                                                                     |
| Step 2 | <b>scheduler job name string</b><br><br><b>Example:</b><br>switch(config)# scheduler job name<br>backup-cfg<br>switch(config-job)                                                                                                                                                                                             | Creates a job and enters job configuration mode.<br><br>This example creates a scheduler job named backup-cfg.                                                                                                                                                                                                                                                               |
| Step 3 | <code>command1 ;[command2 ;command3 ;...]</code><br><br><b>Example:</b><br>switch(config-job)# cli var name timestamp<br>\$(TIMESTAMP) ;copy running-config<br>bootflash:/\$ (SWITCHNAME)-cfg.\$(timestamp)<br>;copy<br>bootflash:/\$ (SWITCHNAME)-cfg.\$(timestamp)<br>tftp://1.2.3.4/ vrf management<br>switch(config-job)# | Defines the sequence of commands for the specified job. You must separate commands with a space and a semicolon (for example, “;”).<br><br>This example creates a scheduler job that saves the running configuration to a file in bootflash and then copies the file from bootflash to a TFTP server. The file name is created using the current time stamp and switch name. |
| Step 4 | <b>show scheduler job [name name]</b><br><br><b>Example:</b><br>switch(config-job)# show scheduler job                                                                                                                                                                                                                        | (Optional) Displays the job information.                                                                                                                                                                                                                                                                                                                                     |
| Step 5 | <b>copy running-config startup-config</b><br><br><b>Example:</b><br>switch(config-job)# copy running-config<br>startup-config                                                                                                                                                                                                 | (Optional) Saves the change persistently through reboots and restarts by copying the running configuration to the startup configuration.                                                                                                                                                                                                                                     |

## Deleting a Job

You can delete a job from the scheduler.

### BEFORE YOU BEGIN

Make sure that you are in the correct VDC. To change the VDC, use the `switchto vdc` command.

### SUMMARY STEPS

1. `config t`
2. `no scheduler job name string`

**Send document comments to [nexus7k-docfeedback@cisco.com](mailto:nexus7k-docfeedback@cisco.com).**

3. `show scheduler job [name name]`
4. `copy running-config startup-config`

## DETAILED STEPS

|        | Command                                                                                                                                                  | Purpose                                                                                                                                  |
|--------|----------------------------------------------------------------------------------------------------------------------------------------------------------|------------------------------------------------------------------------------------------------------------------------------------------|
| Step 1 | <code>config t</code><br><br><b>Example:</b><br><pre>switch# config t Enter configuration commands, one per line. End with CNTL/Z. switch(config)#</pre> | Places you in global configuration mode.                                                                                                 |
| Step 2 | <code>no scheduler job name string</code><br><br><b>Example:</b><br><pre>switch(config)# no scheduler job name configsave switch(config-job)</pre>       | Deletes the specified job and all commands defined within it.                                                                            |
| Step 3 | <code>show scheduler job [name name]</code><br><br><b>Example:</b><br><pre>switch(config-job)# show scheduler job name configsave</pre>                  | (Optional) Displays the job information.                                                                                                 |
| Step 4 | <code>copy running-config startup-config</code><br><br><b>Example:</b><br><pre>switch(config)# copy running-config startup-config</pre>                  | (Optional) Saves the change persistently through reboots and restarts by copying the running configuration to the startup configuration. |

## Defining a Timetable

You can define a timetable in the scheduler to be used with one or more jobs.

If you do not specify the time for the **time** commands, the scheduler assumes the current time. For example, if the current time is March 24, 2008, 22:00 hours, then jobs are started as follows:

- For the **time start 23:00 repeat 4:00:00** command, the scheduler assumes a start time of March 24, 2008, 23:00 hours.
- For the **time daily 55** command, the scheduler assumes a start time every day at 22:55 hours.
- For the **time weekly 23:00** command, the scheduler assumes a start time every Friday at 23:00 hours.
- For the **time monthly 23:00** command, the scheduler assumes a start time on the 24th of every month at 23:00 hours.



### Note

The scheduler will not begin the next occurrence of a job before the last one completes. For example, you have scheduled a job to be completed at one-minute intervals beginning at 22:00; but the job requires two minutes to complete. The scheduler starts the first job at 22:00, completes it at 22:02, and then observes a one-minute interval before starting the next job at 22:03.

***Send document comments to [nexus7k-docfeedback@cisco.com](mailto:nexus7k-docfeedback@cisco.com).***

## BEFORE YOU BEGIN

Make sure that you are in the correct VDC. To change the VDC, use the **switchto vdc** command.

## SUMMARY STEPS

1. **config t**
2. **scheduler schedule name** *string*
3. **job name** *string*
4. **time daily** *time*  
**time weekly** [[*dow:*] *HH:*]*MM*  
**time monthly** [[*dm:*] *HH:*] *MM*  
**time start** {*now repeat repeat-interval* | *delta-time* [*repeat repeat-interval*]}
5. **show scheduler schedule** [*name*]
6. **copy running-config startup-config**

## DETAILED STEPS

|        | Command or Action                                                                                                                                              | Purpose                                                                                                                                                                                                                                                                                                                                                                                                |
|--------|----------------------------------------------------------------------------------------------------------------------------------------------------------------|--------------------------------------------------------------------------------------------------------------------------------------------------------------------------------------------------------------------------------------------------------------------------------------------------------------------------------------------------------------------------------------------------------|
| Step 1 | <b>config t</b><br><br><b>Example:</b><br>switch# config t<br>Enter configuration commands, one per line. End with CNTL/Z.<br>switch(config)#                  | Places you in global configuration mode.                                                                                                                                                                                                                                                                                                                                                               |
| Step 2 | <b>scheduler schedule name</b> <i>string</i><br><br><b>Example:</b><br>switch(config)# scheduler schedule<br>name weekendbackupgos<br>switch(config-schedule)# | Creates a new schedule and places you in schedule configuration mode for that schedule.                                                                                                                                                                                                                                                                                                                |
| Step 3 | <b>job name</b> <i>string</i><br><br><b>Example:</b><br>switch(config-schedule)#job name<br>offpeakZoning                                                      | Associates a job with this schedule. You can add multiple jobs to a schedule.                                                                                                                                                                                                                                                                                                                          |
| Step 4 | <b>time daily</b> <i>time</i><br><br><b>Example:</b><br>switch(config-schedule)# time daily<br>23:00                                                           | Indicates the job starts every day at a designated time specified as HH:MM.                                                                                                                                                                                                                                                                                                                            |
|        | <b>time weekly</b> [[ <i>dow:</i> ] <i>HH:</i> ] <i>MM</i><br><br><b>Example:</b><br>switch(config-schedule)# time weekly<br>Sun:23:00                         | Indicates that the job starts on a specified day of the week. <ul style="list-style-type: none"> <li>• Day of the week (dow) specified as one of the following:               <ul style="list-style-type: none"> <li>– An integer such as 1 = Sunday, 2 = Monday, and so on.</li> <li>– An abbreviation such as Sun = Sunday.</li> </ul> </li> </ul> The maximum length for the entire argument is 10. |

**Send document comments to [nexus7k-docfeedback@cisco.com](mailto:nexus7k-docfeedback@cisco.com).**

|        | Command or Action                                                                                                                                                                                                  | Purpose                                                                                                                                                                                                                                                                                                                                                                                                                                                                                                                                                        |
|--------|--------------------------------------------------------------------------------------------------------------------------------------------------------------------------------------------------------------------|----------------------------------------------------------------------------------------------------------------------------------------------------------------------------------------------------------------------------------------------------------------------------------------------------------------------------------------------------------------------------------------------------------------------------------------------------------------------------------------------------------------------------------------------------------------|
|        | <b>time monthly</b> [[ <i>dm</i> :] <i>HH</i> :] <i>MM</i><br><br><b>Example:</b><br>switch(config-schedule)# time<br>monthly 28:23:00                                                                             | Indicates the job starts on a specified day each month (dm).<br>If you specify either 29, 30, or 31, the job is started on the last day of each month.                                                                                                                                                                                                                                                                                                                                                                                                         |
|        | <b>time start</b> { <b>now repeat</b><br><i>repeat-interval</i>   <i>delta-time</i> [ <b>repeat</b><br><i>repeat-interval</i> ]}<br><br><b>Example:</b><br>switch(config-schedule)# time start<br>now repeat 48:00 | Indicates the job starts periodically.<br>The start-time format is [[[[ <i>yyyy</i> :] <i>mmm</i> :] <i>dd</i> :] <i>HH</i> : <i>MM</i> . <ul style="list-style-type: none"> <li>• <i>delta-time</i><br/>Specifies the amount of time to wait after the schedule is configured before starting a job.</li> <li>• <b>now</b><br/>Specifies that the job starts now.</li> <li>• <b>repeat</b> <i>repeat-interval</i><br/>Specifies the frequency at which the job is repeated</li> </ul> In this example, the job starts immediately and repeats every 48 hours. |
| Step 5 | <b>show scheduler config</b><br><br><b>Example:</b><br>switch(config)# show scheduler<br>config                                                                                                                    | (Optional) Displays the scheduler configuration.                                                                                                                                                                                                                                                                                                                                                                                                                                                                                                               |
| Step 6 | <b>copy running-config startup-config</b><br><br><b>Example:</b><br>switch(config)# copy running-config<br>startup-config                                                                                          | (Optional) Saves the change persistently through reboots and restarts by copying the running configuration to the startup configuration.                                                                                                                                                                                                                                                                                                                                                                                                                       |

## Clearing the Scheduler Log File

You can clear the scheduler log file.

### BEFORE YOU BEGIN

Make sure that you are in the correct VDC. To change the VDC, use the **switchto vdc** command.

### SUMMARY STEPS

1. clear scheduler logfile

### DETAILED STEPS

|        | Command or Action                                                                                   | Purpose                        |
|--------|-----------------------------------------------------------------------------------------------------|--------------------------------|
| Step 1 | <b>clear scheduler logfile</b><br><br><b>Example:</b><br>switch(config)# clear scheduler<br>logfile | Clears the scheduler log file. |

***Send document comments to [nexus7k-docfeedback@cisco.com](mailto:nexus7k-docfeedback@cisco.com).***

## Disabling the Scheduler

You can disable the scheduler feature.

### BEFORE YOU BEGIN

The scheduler feature must be enabled before you can configure and schedule jobs.

Make sure that you are in the correct VDC. To change the VDC, use the **switchto vdc** command.

### SUMMARY STEPS

1. **config t**
2. **no feature scheduler**
3. **show scheduler config**
4. **copy running-config startup-config**

### DETAILED STEPS

:

|        | Command or Action                                                                                                                                        | Purpose                                                                                                                                  |
|--------|----------------------------------------------------------------------------------------------------------------------------------------------------------|------------------------------------------------------------------------------------------------------------------------------------------|
| Step 1 | <b>config t</b><br><br><b>Example:</b><br>switch# config t<br>Enter configuration commands, one per line.<br>End with CNTL/Z.<br>switch(config)#         | Places you in global configuration mode.                                                                                                 |
| Step 2 | <b>no feature scheduler</b><br><br><b>Example:</b><br>switch(config)# no feature scheduler                                                               | Disables the scheduler in the current VDC.                                                                                               |
| Step 3 | <b>show scheduler config</b><br><br><b>Example:</b><br>switch(config)# show scheduler config<br>^<br>% Invalid command at '^' marker.<br>switch(config)# | (Optional) Displays the scheduler configuration. In this example, the scheduler feature is disabled so the command is not recognized.    |
| Step 4 | <b>copy running-config startup-config</b><br><br><b>Example:</b><br>switch(config)# copy running-config<br>startup-config                                | (Optional) Saves the change persistently through reboots and restarts by copying the running configuration to the startup configuration. |

***Send document comments to [nexus7k-docfeedback@cisco.com](mailto:nexus7k-docfeedback@cisco.com).***

## Verifying the Scheduler Configuration

To display the scheduler configuration information, perform one of the following tasks:

| Command                                            | Purpose                                          |
|----------------------------------------------------|--------------------------------------------------|
| <code>show scheduler config</code>                 | Displays the scheduler configuration.            |
| <code>show scheduler job [name string]</code>      | Displays the jobs configured.                    |
| <code>show scheduler logfile</code>                | Displays the contents of the scheduler log file. |
| <code>show scheduler schedule [name string]</code> | Displays the schedules configured.               |

## Configuration Examples for Scheduler

This section includes the following topics:

- [Creating a Scheduler Job, page 10-13](#)
- [Scheduling a Scheduler Job, page 10-13](#)
- [Displaying the Job Schedule, page 10-14](#)
- [Displaying the Results of Running Scheduler Jobs, page 10-14](#)

### Creating a Scheduler Job

This example shows how to create a scheduler job that saves the running configuration to a file in bootflash and then copies the file from bootflash to a TFTP server (the filename is created using the current time stamp and switch name):

```
switch# config t
switch(config)# scheduler job name backup-cfg
switch(config-job)# cli var name timestamp $(TIMESTAMP) ;copy running-config
bootflash:/${SWITCHNAME}-cfg. $(timestamp) ;copy bootflash:/${SWITCHNAME}-cfg. $(timestamp)
tftp://1.2.3.4/ vrf management
switch(config-job)# end
switch(config)#
```

### Scheduling a Scheduler Job

This example shows how to schedule a scheduler job called backup-cfg to run daily at 1 a.m.:

```
switch# config t
switch(config)# scheduler schedule name daily
switch(config-if)# job name backup-cfg
switch(config-if)# time daily 1:00
switch(config-if)# end
switch(config)#
```

**[Send document comments to nexus7k-docfeedback@cisco.com.](mailto:nexus7k-docfeedback@cisco.com)**

## Displaying the Job Schedule

This example shows how to display the job schedule:

```
switch# show scheduler schedule
Schedule Name      : daily
-----
User Name          : admin
Schedule Type      : Run every day at 1 Hrs 00 Mins
Last Execution Time: Fri Jan 2 1:00:00 2009
Last Completion Time: Fri Jan 2 1:00:01 2009
Execution count    : 2
-----
      Job Name          Last Execution Status
-----
back-cfg              Success (0)
switch#
```

## Displaying the Results of Running Scheduler Jobs

This example shows how to display the results of scheduler jobs that have been executed by the scheduler:

```
switch# show scheduler logfile
Job Name           : back-cfg           Job Status: Failed (1)
Schedule Name      : daily             User Name : admin
Completion time:   Fri Jan 1  1:00:01 2009
----- Job Output -----
`cli var name timestamp 2009-01-01-01.00.00`
`copy running-config bootflash:/${(HOSTNAME)-cfg.${timestamp}}`
`copy bootflash:/switch-cfg.2009-01-01-01.00.00 tftp://1.2.3.4/ vrf management `
copy: cannot access file '/bootflash/switch-cfg.2009-01-01-01.00.00'
=====
Job Name           : back-cfg           Job Status: Success (0)
Schedule Name      : daily             User Name : admin
Completion time:   Fri Jan 2  1:00:01 2009
----- Job Output -----
`cli var name timestamp 2009-01-02-01.00.00`
`copy running-config bootflash:/switch-cfg.2009-01-02-01.00.00`
`copy bootflash:/switch-cfg.2009--01-02-01.00.00 tftp://1.2.3.4/ vrf management `
Connection to Server Established.
[                ]      0.50KBTrying to connect to tftp server.....
[#####         ]      24.50KB

TFTP put operation was successful
=====
switch#
```

## Additional References

For additional information related to the scheduler, see the following sections:

- [Related Documents, page 10-15](#)
- [Standards, page 10-15](#)



***Send document comments to [nexus7k-docfeedback@cisco.com](mailto:nexus7k-docfeedback@cisco.com).***

## Related Documents

| Related Topic          | Document Title                                                                               |
|------------------------|----------------------------------------------------------------------------------------------|
| Scheduler CLI commands | <i>Cisco Nexus 7000 Series NX-OS System Management Command Reference</i>                     |
| VDCs                   | <i>Cisco Nexus 7000 Series NX-OS Virtual Device Context Configuration Guide, Release 5.x</i> |

## Standards

| Standards                                                                                                                             | Title |
|---------------------------------------------------------------------------------------------------------------------------------------|-------|
| No new or modified standards are supported by this feature, and support for existing standards has not been modified by this feature. | —     |

## Feature History for the Scheduler

Table 10-2 lists the release history for this feature.

**Table 10-2** Feature History for the Scheduler

| Feature Name | Releases | Feature Information         |
|--------------|----------|-----------------------------|
| Scheduler    | 5.2(1)   | No change from Release 5.1. |
| Scheduler    | 5.1(1)   | No change from Release 5.0. |
| Scheduler    | 5.0(2)   | No change from Release 4.2. |

***Send document comments to [nexus7k-docfeedback@cisco.com](mailto:nexus7k-docfeedback@cisco.com).***



## CHAPTER 11

# Configuring SNMP

---

This chapter describes how to configure the SNMP feature on Cisco NX-OS devices.

This chapter includes the following sections:

- [Information About SNMP, page 11-1](#)
- [Licensing Requirements for SNMP, page 11-7](#)
- [Prerequisites for SNMP, page 11-7](#)
- [Guidelines and Limitations, page 11-8](#)
- [Default Settings, page 11-8](#)
- [Configuring SNMP, page 11-8](#)
- [Verifying the SNMP Configuration, page 11-28](#)
- [Configuration Examples for SNMP, page 11-28](#)
- [Additional References, page 11-29](#)
- [Feature History for SNMP, page 11-30](#)

## Information About SNMP

The Simple Network Management Protocol (SNMP) is an application-layer protocol that provides a message format for communication between SNMP managers and agents. SNMP provides a standardized framework and a common language used for the monitoring and management of devices in a network.

This section includes the following topics:

- [SNMP Functional Overview, page 11-2](#)
- [SNMP Notifications, page 11-2](#)
- [SNMPv3, page 11-3](#)
- [SNMP and Embedded Event Manager, page 11-6](#)
- [Multiple Instance Support, page 11-6](#)
- [High Availability, page 11-7](#)
- [Virtualization Support, page 11-7](#)

[Send document comments to nexus7k-docfeedback@cisco.com.](mailto:nexus7k-docfeedback@cisco.com)

## SNMP Functional Overview

The SNMP framework consists of three parts:

- An SNMP manager—The system used to control and monitor the activities of network devices using SNMP.
- An SNMP agent—The software component within the managed device that maintains the data for the device and reports these data, as needed, to managing systems. Cisco NX-OS supports the agent and MIB. To enable the SNMP agent, you must define the relationship between the manager and the agent.
- A managed information base (MIB)—The collection of managed objects on the SNMP agent.

SNMP is defined in RFCs 3411 to 3418.

Cisco NX-OS supports SNMPv1, SNMPv2c, and SNMPv3. Both SNMPv1 and SNMPv2c use a community-based form of security.

Cisco NX-OS supports SNMP over IPv6.

## SNMP Notifications

A key feature of SNMP is the ability to generate notifications from an SNMP agent. These notifications do not require that requests be sent from the SNMP manager. Notifications can indicate improper user authentication, restarts, the closing of a connection, loss of a connection to a neighbor router, or other significant events.

Cisco NX-OS generates SNMP notifications as either traps or informs. A trap is an asynchronous, unacknowledged message sent from the agent to the SNMP managers listed in the host receiver table (see the [“Configuring SNMP Notification Receivers with VRFs”](#) section on page 11-14). Informs are asynchronous messages sent from the SNMP agent to the SNMP manager which the manager must acknowledge receipt of.

Traps are less reliable than informs because the SNMP manager does not send any acknowledgment when it receives a trap. Cisco NX-OS cannot determine if the trap was received. An SNMP manager that receives an inform request acknowledges the message with an SNMP response protocol data unit (PDU). If Cisco NX-OS never receives a response, it can send the inform request again.

You can configure Cisco NX-OS to send notifications to multiple host receivers. See the [“Configuring SNMP Notification Receivers”](#) section on page 11-12 for more information about host receivers.

[Table 11-1](#) lists the SNMP traps that are enabled by default.

**Table 11-1** *SNMP Traps Enabled By Default*

| Trap Type | Description                   |
|-----------|-------------------------------|
| generic   | : coldStart                   |
| generic   | : warmStart                   |
| entity    | : entity_mib_change           |
| entity    | : entity_module_status_change |
| entity    | : entity_power_status_change  |
| entity    | : entity_module_inserted      |
| entity    | : entity_module_removed       |
| entity    | : entity_unrecognised_module  |

***Send document comments to [nexus7k-docfeedback@cisco.com](mailto:nexus7k-docfeedback@cisco.com).***

**Table 11-1** *SNMP Traps Enabled By Default (continued)*

| Trap Type | Description                     |
|-----------|---------------------------------|
| entity    | : entity_fan_status_change      |
| entity    | : entity_power_out_change       |
| link      | : linkDown                      |
| link      | : linkUp                        |
| link      | : extended-linkDown             |
| link      | : extended-linkUp               |
| link      | : cieLinkDown                   |
| link      | : cieLinkUp                     |
| link      | : delayed-link-state-change     |
| rf        | : redundancy_framework          |
| license   | : notify-license-expiry         |
| license   | : notify-no-license-for-feature |
| license   | : notify-licensefile-missing    |
| license   | : notify-license-expiry-warning |
| upgrade   | : UpgradeOpNotifyOnCompletion   |
| upgrade   | : UpgradeJobStatusNotify        |
| rmon      | : risingAlarm                   |
| rmon      | : fallingAlarm                  |
| rmon      | : hcRisingAlarm                 |
| rmon      | : hcFallingAlarm                |
| entity    | : entity_sensor                 |

## SNMPv3

SNMPv3 provides secure access to devices by a combination of authenticating and encrypting frames over the network. The security features provided in SNMPv3 are as follows:

- Message integrity—Ensures that a packet has not been tampered with while it was in-transit.
- Authentication—Determines that the message is from a valid source.
- Encryption—Scrambles the packet contents to prevent it from being seen by unauthorized sources.

SNMPv3 provides for both security models and security levels. A security model is an authentication strategy that is set up for a user and the role in which the user resides. A security level is the permitted level of security within a security model. A combination of a security model and a security level determines which security mechanism is employed when handling an SNMP packet.

This section includes the following topics:

- [Security Models and Levels for SNMPv1, v2, v3, page 11-4](#)
- [User-Based Security Model, page 11-4](#)
- [CLI and SNMP User Synchronization, page 11-5](#)

**[Send document comments to nexus7k-docfeedback@cisco.com.](mailto:nexus7k-docfeedback@cisco.com)**

- [Group-Based SNMP Access, page 11-6](#)

## Security Models and Levels for SNMPv1, v2, v3

The security level determines if an SNMP message needs to be protected from disclosure and if the message needs to be authenticated. The various security levels that exist within a security model are as follows:

- noAuthNoPriv—Security level that does not provide authentication or encryption.
- authNoPriv—Security level that provides authentication but does not provide encryption.
- authPriv—Security level that provides both authentication and encryption.

Three security models are available: SNMPv1, SNMPv2c, and SNMPv3. The security model combined with the security level determine the security mechanism applied when the SNMP message is processed.

[Table 11-2](#) identifies what the combinations of security models and levels mean.

**Table 11-2** *SNMP Security Models and Levels*

| Model | Level        | Authentication       | Encryption | What Happens                                                                                                                                                                                                                  |
|-------|--------------|----------------------|------------|-------------------------------------------------------------------------------------------------------------------------------------------------------------------------------------------------------------------------------|
| v1    | noAuthNoPriv | Community string     | No         | Uses a community string match for authentication.                                                                                                                                                                             |
| v2c   | noAuthNoPriv | Community string     | No         | Uses a community string match for authentication.                                                                                                                                                                             |
| v3    | noAuthNoPriv | Username             | No         | Uses a username match for authentication.                                                                                                                                                                                     |
| v3    | authNoPriv   | HMAC-MD5 or HMAC-SHA | No         | Provides authentication based on the Hash-Based Message Authentication Code (HMAC) Message Digest 5 (MD5) algorithm or the HMAC Secure Hash Algorithm (SHA).                                                                  |
| v3    | authPriv     | HMAC-MD5 or HMAC-SHA | DES        | Provides authentication based on the HMAC-MD5 or HMAC-SHA algorithms. Provides Data Encryption Standard (DES) 56-bit encryption in addition to authentication based on the Cipher Block Chaining (CBC) DES (DES-56) standard. |

## User-Based Security Model

The SNMPv3 User-Based Security Model (USM) refers to SNMP message-level security and offers the following services:

- Message integrity—Ensures that messages have not been altered or destroyed in an unauthorized manner and that data sequences have not been altered to an extent greater than can occur nonmaliciously.
- Message origin authentication—Ensures that the claimed identity of the user on whose behalf received data was originated is confirmed.

***Send document comments to [nexus7k-docfeedback@cisco.com](mailto:nexus7k-docfeedback@cisco.com).***

- Message confidentiality—Ensures that information is not made available or disclosed to unauthorized individuals, entities, or processes.

SNMPv3 authorizes management operations only by configured users and encrypts SNMP messages.

Cisco NX-OS uses two authentication protocols for SNMPv3:

- HMAC-MD5-96 authentication protocol
- HMAC-SHA-96 authentication protocol

Cisco NX-OS uses Advanced Encryption Standard (AES) as one of the privacy protocols for SNMPv3 message encryption and conforms with RFC 3826.

The **priv** option offers a choice of DES or 128-bit AES encryption for SNMP security encryption. The **priv** option and the **aes-128** token indicate that this privacy password is for generating a 128-bit AES key. The AES **priv** password can have a minimum of eight characters. If the passphrases are specified in clear text, you can specify a maximum of 64 case-sensitive alphanumeric characters. If you use the localized key, you can specify a maximum of 130 characters.

**Note**

---

For an SNMPv3 operation that uses the external AAA server, you must use AES for the privacy protocol in the user configuration on the external AAA server.

---

## CLI and SNMP User Synchronization

SNMPv3 user management can be centralized at the Access Authentication and Accounting (AAA) server level. This centralized user management allows the SNMP agent in Cisco NX-OS to leverage the user authentication service of the AAA server. Once user authentication is verified, the SNMP PDUs are processed further. Additionally, the AAA server is also used to store user group names. SNMP uses the group names to apply the access/role policy that is locally available in the switch.

Any configuration changes made to the user group, role, or password results in database synchronization for both SNMP and AAA.

Cisco NX-OS synchronizes user configuration in the following ways:

- The authentication passphrase specified in the **snmp-server user** command becomes the password for the CLI user.
- The password specified in the **username** command becomes the authentication and privacy passphrases for the SNMP user.
- If you create or delete a user using either SNMP or the CLI, the user is created or deleted for both SNMP and the CLI.
- User-role mapping changes are synchronized in SNMP and the CLI.
- Role changes (deletions or modifications) from the CLI are synchronized to SNMP.

**Note**

---

When you configure a passphrase/password in localized key/encrypted format, Cisco NX-OS does not synchronize the user information (password, roles, and so on).

---

Cisco NX-OS holds the synchronized user configuration for 60 minutes by default. See the [“Modifying the AAA Synchronization Time”](#) section on page 11-27 for information on how to modify this default value.

**[Send document comments to nexus7k-docfeedback@cisco.com.](mailto:nexus7k-docfeedback@cisco.com)**

## Group-Based SNMP Access

**Note**

Because *group* is a standard SNMP term used industry-wide, we refer to role(s) as group(s) in this SNMP section.

SNMP access rights are organized by groups. Each group in SNMP is similar to a role through the CLI. Each group is defined with read access or read-write access.

You can begin communicating with the agent once your username is created, your roles are set up by your administrator, and you are added to the roles.

## SNMP and Embedded Event Manager

The Embedded Event Manager (EEM) feature monitors events, including SNMP MIB objects, and triggers an action based on these events. One of the actions could be to send an SNMP notification. EEM sends the `cEventMgrPolicyEvent` of `CISCO-EMBEDDED-EVENT-MGR-MIB` as the SNMP notification.

See [Chapter 14, “Configuring the Embedded Event Manager”](#) for more information about EEM.

## Multiple Instance Support

A device can support multiple instances of a logical network entity, such as protocol instances or VRFs. Most existing MIBs cannot distinguish between these multiple logical network entities. For example, the original OSPF-MIB assumes a single protocol instance on a device, but you can now configure multiple OSPF instances on a device.

SNMPv3 uses contexts to distinguish between these multiple instances. An SNMP context is a collection of management information you can access through the SNMP agent. A device can support multiple contexts for different logical network entities. An SNMP context allows the SNMP manager to access one of the multiple instances of a MIB module supported on the device for the different logical network entities.

Cisco NX-OS supports the `CISCO-CONTEXT-MAPPING-MIB` to map between SNMP contexts and logical network entities. You can associate an SNMP context to a VRF, protocol instance, or topology.

SNMPv3 supports contexts with the `contextName` field of the SNMPv3 PDU. You can map this `contextName` field to a particular protocol instance or VRF.

For SNMPv2c, you can map the SNMP community to a context using the `snmpCommunityContextName` MIB object in the `SNMP-COMMUNITY-MIB` (RFC 3584). You can then map this `snmpCommunityContextName` to a particular protocol instance or VRF using the `CISCO-CONTEXT-MAPPING-MIB` or the CLI.

To map an SNMP context to a logical network entity, follow these steps:

- 
- Step 1** Create the SNMPv3 context.
  - Step 2** Determine the logical network entity instance.
  - Step 3** Map the SNMPv3 context to a logical network entity.



***Send document comments to [nexus7k-docfeedback@cisco.com](mailto:nexus7k-docfeedback@cisco.com).***

**Step 4** Optionally, map the SNMPv3 context to an SNMPv2c community.

For more information, see the “[Configuring the Context to Network Entity Mapping](#)” section on [page 11-25](#).

## High Availability

Cisco NX-OS supports stateless restarts for SNMP. After a reboot or supervisor switchover, Cisco NX-OS applies the running configuration.

## Virtualization Support

Cisco NX-OS supports one instance of the SNMP per virtual device context (VDC). By default, Cisco NX-OS places you in the default VDC. For more information, see the *Cisco Nexus 7000 Series NX-OS Virtual Device Context Configuration Guide, Release 5.x*.

SNMP supports multiple MIB module instances and maps them to logical network entities. For more information, see the “[Multiple Instance Support](#)” section on [page 11-6](#).

SNMP is also VRF aware. You can configure SNMP to use a particular VRF to reach the SNMP notification host receiver. You can also configure SNMP to filter notifications to an SNMP host receiver based on the VRF where the notification occurred. For more information, see the “[Configuring SNMP Notification Receivers with VRFs](#)” section on [page 11-14](#).

## Licensing Requirements for SNMP

| Product     | License Requirement                                                                                                                                                                                                                                                           |
|-------------|-------------------------------------------------------------------------------------------------------------------------------------------------------------------------------------------------------------------------------------------------------------------------------|
| Cisco NX-OS | SNMP requires no license. Any feature not included in a license package is bundled with the Cisco NX-OS system images and is provided at no extra charge to you. For a complete explanation of the Cisco NX-OS licensing scheme, see the <i>Cisco NX-OS Licensing Guide</i> . |

## Prerequisites for SNMP

SNMP has the following prerequisites:

- If you configure VDCs, install the Advanced Services license and enter the desired VDC. For more information, see the *Cisco Nexus 7000 Series NX-OS Virtual Device Context Configuration Guide, Release 5.x*.

***Send document comments to [nexus7k-docfeedback@cisco.com](mailto:nexus7k-docfeedback@cisco.com).***

## Guidelines and Limitations

SNMP has the following configuration guidelines and limitations:

- Cisco NX-OS supports read-only access to some SNMP MIBs. See the Cisco NX-OS MIB support list at the following URL for more information:

<http://www.cisco.com/public/sw-center/netmgmt/cmtk/mibs.shtml>

## Default Settings

Table 11-3 lists the default settings for SNMP parameters.

**Table 11-3**      **Default SNMP Parameters**

| Parameters            | Default  |
|-----------------------|----------|
| license notifications | Enabled. |

## Configuring SNMP

This section includes the following topics:

- [Configuring SNMP Users, page 11-9](#)
- [Enforcing SNMP Message Encryption, page 11-10](#)
- [Assigning SNMPv3 Users to Multiple Roles, page 11-10](#)
- [Creating SNMP Communities, page 11-11](#)
- [Filtering SNMP Requests, page 11-11](#)
- [Configuring SNMP Notification Receivers, page 11-12](#)
- [Configuring a Source Interface for SNMP Notifications, page 11-12](#)
- [Configuring the Notification Target User, page 11-13](#)
- [Configuring SNMP Notification Receivers with VRFs, page 11-14](#)
- [Configuring SNMP to Send Traps Using an Inband Port, page 11-15](#)
- [Enabling SNMP Notifications, page 11-17](#)
- [Disabling LinkUp/LinkDown Notifications on an Interface, page 11-23](#)
- [Displaying SNMP ifIndex for an Interface, page 11-24](#)
- [Enabling a One-time Authentication for SNMP over TCP, page 11-24](#)
- [Assigning the SNMP Device Contact and Location Information, page 11-24](#)
- [Configuring the Context to Network Entity Mapping, page 11-25](#)
- [Disabling SNMP, page 11-27](#)
- [Modifying the AAA Synchronization Time, page 11-27](#)

**Send document comments to [nexus7k-docfeedback@cisco.com](mailto:nexus7k-docfeedback@cisco.com).**

**Note**

Be aware that the Cisco NX-OS commands for this feature may differ from those commands used in Cisco IOS.

## Configuring SNMP Users

You can configure a user for SNMP.

### BEFORE YOU BEGIN

Make sure that you are in the correct VDC. To change the VDC, use the **switchto vdc** command.

### SUMMARY STEPS

1. **config t**
2. **snmp-server user name [auth {md5 | sha} passphrase [auto] [priv [aes-128] passphrase] [engineID id] [localizedkey]]**
3. **show snmp user**
4. **copy running-config startup-config**

### DETAILED STEPS

|        | Command                                                                                                                                                                                                                        | Purpose                                                                                                                                                                                                                                                                                                                                                       |
|--------|--------------------------------------------------------------------------------------------------------------------------------------------------------------------------------------------------------------------------------|---------------------------------------------------------------------------------------------------------------------------------------------------------------------------------------------------------------------------------------------------------------------------------------------------------------------------------------------------------------|
| Step 1 | <b>config t</b><br><br><b>Example:</b><br>switch# config t<br>Enter configuration commands, one per line. End with CNTL/Z.<br>switch(config)#                                                                                  | Places you in global configuration mode.                                                                                                                                                                                                                                                                                                                      |
| Step 2 | <b>snmp-server user name [auth {md5   sha} passphrase [auto] [priv [aes-128] passphrase] [engineID id] [localizedkey]]</b><br><br><b>Example:</b><br>switch(config)# snmp-server user Admin<br>auth sha abcd1234 priv abcdefgh | Configures an SNMP user with authentication and privacy parameters. The passphrase can be any case-sensitive alphanumeric string up to 64 characters. If you use the <b>localizedkey</b> keyword, the passphrase can be any case-sensitive alphanumeric string up to 130 characters.<br><br>The engineID format is a 12-digit colon-separated decimal number. |
| Step 3 | <b>show snmp user</b><br><br><b>Example:</b><br>switch(config-callhome)# show snmp user                                                                                                                                        | (Optional) Displays information about one or more SNMP users.                                                                                                                                                                                                                                                                                                 |
| Step 4 | <b>copy running-config startup-config</b><br><br><b>Example:</b><br>switch(config)# copy running-config startup-config                                                                                                         | (Optional) Saves this configuration change.                                                                                                                                                                                                                                                                                                                   |

***Send document comments to [nexus7k-docfeedback@cisco.com](mailto:nexus7k-docfeedback@cisco.com).***

This example shows how to configure the SNMP contact and location information:

```
switch# config t
Enter configuration commands, one per line. End with CNTL/Z.
switch(config)# snmp-server user Admin auth sha abcd1234 priv abcdefgh
```

## Enforcing SNMP Message Encryption

You can configure SNMP to require authentication or encryption for incoming requests. By default, the SNMP agent accepts SNMPv3 messages without authentication and encryption. When you enforce privacy, Cisco NX-OS responds with an authorizationError for any SNMPv3 PDU request using securityLevel parameter of either noAuthNoPriv or authNoPriv.

Use the following command in global configuration mode to enforce SNMP message encryption for a user:

| Command                                                                                                                         | Purpose                                         |
|---------------------------------------------------------------------------------------------------------------------------------|-------------------------------------------------|
| <b>snmp-server user <i>name</i> enforcePriv</b><br><br><b>Example:</b><br>switch(config)# snmp-server user Admin<br>enforcePriv | Enforces SNMP message encryption for this user. |

Use the following command in global configuration mode to enforce SNMP message encryption for all users:

| Command                                                                                                         | Purpose                                         |
|-----------------------------------------------------------------------------------------------------------------|-------------------------------------------------|
| <b>snmp-server globalEnforcePriv</b><br><br><b>Example:</b><br>switch(config)# snmp-server<br>globalEnforcePriv | Enforces SNMP message encryption for all users. |

## Assigning SNMPv3 Users to Multiple Roles

After you configure an SNMP user, you can assign multiple roles for the user.



### Note

Only users belonging to a network-admin role can assign roles to other users.

Use the following command in global configuration mode to assign a role to an SNMP user:

| Command                                                                                                                        | Purpose                                                  |
|--------------------------------------------------------------------------------------------------------------------------------|----------------------------------------------------------|
| <b>snmp-server user <i>name</i> <i>group</i></b><br><br><b>Example:</b><br>switch(config)# snmp-server user Admin<br>superuser | Associates this SNMP user with the configured user role. |

***Send document comments to [nexus7k-docfeedback@cisco.com](mailto:nexus7k-docfeedback@cisco.com).***

## Creating SNMP Communities

You can create SNMP communities for SNMPv1 or SNMPv2c.

Use the following command in global configuration mode to create an SNMP community string:

| Command                                                                                                                               | Purpose                           |
|---------------------------------------------------------------------------------------------------------------------------------------|-----------------------------------|
| <b>snmp-server community</b> <i>name group {ro   rw}</i><br><br><b>Example:</b><br>switch(config)# snmp-server community<br>public ro | Creates an SNMP community string. |

## Filtering SNMP Requests

You can assign an access list (ACL) to a community to filter incoming SNMP requests. If the assigned ACL allows the incoming request packet, SNMP processes the request. If the ACL denies the request, SNMP drops the request and sends a system message.

Create the ACL with the following parameters:

- Source IP address
- Destination IP address
- Source port
- Destination port
- Protocol (UDP or TCP)

See the *Cisco Nexus 7000 Series NX-OS Security Configuration Guide, Release 5.x* for more information on creating ACLs. The ACL applies to both IPv4 and IPv6 over UDP and TCP.

Use the following command in global configuration mode to assign an ACL to a community to filter SNMP requests:

| Command                                                                                                                                                                                  | Purpose                                                      |
|------------------------------------------------------------------------------------------------------------------------------------------------------------------------------------------|--------------------------------------------------------------|
| <b>snmp-server community</b> <i>community-name</i><br><b>use-acl</b> <i>acl-name</i><br><br><b>Example:</b><br>switch(config)# snmp-server community<br>public use-acl my_acl_for_public | Assigns an ACL to an SNMP community to filter SNMP requests. |

[Send document comments to nexus7k-docfeedback@cisco.com.](mailto:nexus7k-docfeedback@cisco.com)

## Configuring SNMP Notification Receivers

You can configure Cisco NX-OS to generate SNMP notifications to multiple host receivers.

Use the following command in global configuration mode to configure a host receiver for SNMPv1 traps:

| Command                                                                                                                                                                             | Purpose                                                                                                                                                                                                                    |
|-------------------------------------------------------------------------------------------------------------------------------------------------------------------------------------|----------------------------------------------------------------------------------------------------------------------------------------------------------------------------------------------------------------------------|
| <pre>snmp-server host ip-address traps version 1 community [udp_port number]</pre> <p><b>Example:</b><br/>switch(config)# snmp-server host 192.0.2.1<br/>traps version 1 public</p> | Configures a host receiver for SNMPv1 traps. The <i>ip-address</i> can be an IPv4 or IPv6 address. The <i>community</i> can be any alphanumeric string up to 255 characters. The UDP port number range is from 0 to 65535. |

Use the following command in global configuration mode to configure a host receiver for SNMPv2c traps or informs:

| Command                                                                                                                                                                                             | Purpose                                                                                                                                                                                                                                |
|-----------------------------------------------------------------------------------------------------------------------------------------------------------------------------------------------------|----------------------------------------------------------------------------------------------------------------------------------------------------------------------------------------------------------------------------------------|
| <pre>snmp-server host ip-address {traps   informs} version 2c community [udp_port number]</pre> <p><b>Example:</b><br/>switch(config)# snmp-server host 192.0.2.1<br/>informs version 2c public</p> | Configures a host receiver for SNMPv2c traps or informs. The <i>ip-address</i> can be an IPv4 or IPv6 address. The <i>community</i> can be any alphanumeric string up to 255 characters. The UDP port number range is from 0 to 65535. |

Use the following command in global configuration mode to configure a host receiver for SNMPv3 traps or informs:

| Command                                                                                                                                                                                                                   | Purpose                                                                                                                                                                                                                              |
|---------------------------------------------------------------------------------------------------------------------------------------------------------------------------------------------------------------------------|--------------------------------------------------------------------------------------------------------------------------------------------------------------------------------------------------------------------------------------|
| <pre>snmp-server host ip-address {traps   informs} version 3 {auth   noauth   priv} username [udp_port number]</pre> <p><b>Example:</b><br/>switch(config)# snmp-server host 192.0.2.1<br/>informs version 3 auth NMS</p> | Configures a host receiver for SNMPv3 traps or informs. The <i>ip-address</i> can be an IPv4 or IPv6 address. The <i>username</i> can be any alphanumeric string up to 255 characters. The UDP port number range is from 0 to 65535. |



### Note

The SNMP manager must know the user credentials (authKey/PrivKey) based on the SNMP engine ID of the Cisco NX-OS device to authenticate and decrypt the SNMPv3 messages.

## Configuring a Source Interface for SNMP Notifications

You can configure SNMP to use the IP address of an interface as the source IP address for notifications. When a notification is generated, its source IP address is based on the IP address of this configured interface.

**Send document comments to [nexus7k-docfeedback@cisco.com](mailto:nexus7k-docfeedback@cisco.com).**

You can configure this as follows:

- All notifications sent to all SNMP notification receivers.
- All notifications sent to a specific SNMP notification receiver. This configuration overrides the global source interface configuration.



**Note**

Configuring the source interface IP address for outgoing trap packets does not guarantee that the device will use the same interface to send the trap. The source interface IP address defines the source address inside of the SNMP trap, and the connection is opened with the address of the egress interface as source.

Use the following command in global configuration mode to configure a host receiver on a source interface:

| Command                                                                                                                                                                                             | Purpose                                                                                                                                                                                                                                                                                              |
|-----------------------------------------------------------------------------------------------------------------------------------------------------------------------------------------------------|------------------------------------------------------------------------------------------------------------------------------------------------------------------------------------------------------------------------------------------------------------------------------------------------------|
| <pre>snmp-server host ip-address source-interface if-type if-number [udp_port number]</pre> <p><b>Example:</b><br/>switch(config)# snmp-server host 192.0.2.1<br/>source-interface ethernet 2/1</p> | <p>Configures a host receiver for SNMPv2c traps or informs. The <i>ip-address</i> can be an IPv4 or IPv6 address. Use ? to determine the supported interface types. The UDP port number range is from 0 to 65535.</p> <p>This configuration overrides the global source interface configuration.</p> |

Use the following command in global configuration mode to configure a source interface for sending out all SNMP notifications:

| Command                                                                                                                                                                    | Purpose                                                                                                                          |
|----------------------------------------------------------------------------------------------------------------------------------------------------------------------------|----------------------------------------------------------------------------------------------------------------------------------|
| <pre>snmp-server source-interface {traps   informs} if-type if-number</pre> <p><b>Example:</b><br/>switch(config)# snmp-server<br/>source-interface traps ethernet 2/1</p> | <p>Configures a source interface for sending out SNMPv2c traps or informs. Use ? to determine the supported interface types.</p> |

Use the **show snmp source-interface** command to display information about configured source interfaces.

## Configuring the Notification Target User

You must configure a notification target user on the device to send SNMPv3 inform notifications to a notification host receiver.

Cisco NX-OS uses the credentials of the notification target user to encrypt the SNMPv3 inform notification messages to the configured notification host receiver.



**Note**

For authenticating and decrypting the received inform PDU, the notification host receiver should have the same user credentials as configured in Cisco NX-OS to authenticate and decrypt the informs.

**Send document comments to [nexus7k-docfeedback@cisco.com](mailto:nexus7k-docfeedback@cisco.com).**

Use the following command in global configuration mode to configure the notification target user:

| Command                                                                                                                                                                                                                                                            | Purpose                                                                                                                                                                    |
|--------------------------------------------------------------------------------------------------------------------------------------------------------------------------------------------------------------------------------------------------------------------|----------------------------------------------------------------------------------------------------------------------------------------------------------------------------|
| <pre>snmp-server user name [auth {md5   sha} passphrase [auto] [priv [aes-128] passphrase] [engineID id]</pre> <p><b>Example:</b></p> <pre>switch(config)# snmp-server user NMS auth sha abcd1234 priv abcdefgh engineID 00:00:00:63:00:01:00:10:20:15:10:03</pre> | Configures the notification target user with the specified engine ID for the notification host receiver. The engineID format is a 12-digit colon-separated decimal number. |

## Configuring SNMP Notification Receivers with VRFs

SNMP adds entries into the cExtSnmpTargetVrfTable of the CISCO-SNMP-TARGET-EXT-MIB when you configure the VRF reachability and filtering options for an SNMP notification receiver.



### Note

You must configure the host before configuring the VRF reachability or filtering options.

You can configure Cisco NX-OS to use a configured VRF to reach the host receiver.

Use the following command in global configuration mode to configure a VRF to use for sending notifications to the host receiver:

| Command                                                                                                                                                                   | Purpose                                                                                                                                                                                                                                                                                                                                         |
|---------------------------------------------------------------------------------------------------------------------------------------------------------------------------|-------------------------------------------------------------------------------------------------------------------------------------------------------------------------------------------------------------------------------------------------------------------------------------------------------------------------------------------------|
| <pre>snmp-server host ip-address use-vrf vrf_name [udp_port number]</pre> <p><b>Example:</b></p> <pre>switch(config)# snmp-server host 192.0.2.1 use-vrf Blue</pre>       | Configures SNMP to use the selected VRF to communicate with the host receiver. The <i>ip-address</i> can be an IPv4 or IPv6 address. The VRF name can be any alphanumeric string up to 255 characters. The UDP port number range is from 0 to 65535. This command adds an entry into the ExtSnmpTargetVrfTable of the CISCO-SNMP-TARGET-EXT-MB. |
| <pre>no snmp-server host ip-address use-vrf vrf_name [udp_port number]</pre> <p><b>Example:</b></p> <pre>switch(config)# no snmp-server host 192.0.2.1 use-vrf Blue</pre> | Removes the VRF reachability information for the configured host, and removes the entry from the ExtSnmpTargetVrfTable of the CISCO-SNMP-TARGET-EXT-MB.<br><br>The <i>ip-address</i> can be an IPv4 or IPv6 address.<br><br>Does not remove the host configuration.                                                                             |



## Send document comments to [nexus7k-docfeedback@cisco.com](mailto:nexus7k-docfeedback@cisco.com).

You can configure Cisco NX-OS filter notifications based on the VRF in which the notification occurred. Use the following command in global configuration mode to filter notifications based on a configured VRF:

| Command                                                                                                                                                                                                         | Purpose                                                                                                                                                                                                                                                                                                                                                             |
|-----------------------------------------------------------------------------------------------------------------------------------------------------------------------------------------------------------------|---------------------------------------------------------------------------------------------------------------------------------------------------------------------------------------------------------------------------------------------------------------------------------------------------------------------------------------------------------------------|
| <pre><b>snmp-server host</b> <i>ip-address</i> <b>filter-vrf</b> <i>vrf_name</i> [<b>udp_port</b> <i>number</i>]</pre> <p><b>Example:</b><br/>switch(config)# snmp-server host 192.0.2.1<br/>filter-vrf Red</p> | <p>Filters notifications to the notification host receiver based on the configured VRF. The <i>ip-address</i> can be an IPv4 or IPv6 address. The VRF name can be any alphanumeric string up to 255 characters. The UDP port number range is from 0 to 65535.</p> <p>This command adds an entry into the ExtSnmpTargetVrfTable of the CISCO-SNMP-TARGET-EXT-MB.</p> |
| <pre><b>no snmp-server host</b> <i>ip-address</i> <b>filter-vrf</b> <i>vrf_name</i></pre> <p><b>Example:</b><br/>switch(config)# no snmp-server host<br/>192.0.2.1 filter-vrf Red</p>                           | <p>Removes the VRF filter information for the configured host, and removes the entry from the ExtSnmpTargetVrfTable of the CISCO-SNMP-TARGET-EXT-MB.</p> <p>The <i>ip-address</i> can be an IPv4 or IPv6 address. This command does not remove the host configuration.</p>                                                                                          |

## Configuring SNMP to Send Traps Using an Inband Port

You can configure SNMP to send traps using an inband port. To do so, you must configure the source interface (at the global or host level) and the VRF used to send the traps.

### SUMMARY STEPS

1. **config t**
2. **snmp-server source-interface traps** *if-type if-number*
3. **show snmp source-interface**
4. **snmp-server host** *ip-address* **use-vrf** *vrf\_name* [**udp\_port** *number*]
5. **show snmp host**
6. **copy running-config startup-config**

**Send document comments to [nexus7k-docfeedback@cisco.com](mailto:nexus7k-docfeedback@cisco.com).**

## DETAILED STEPS

|        | Command                                                                                                                                                                      | Purpose                                                                                                                                                                                                                                                                                                                                                                                                                                                                                                                                  |
|--------|------------------------------------------------------------------------------------------------------------------------------------------------------------------------------|------------------------------------------------------------------------------------------------------------------------------------------------------------------------------------------------------------------------------------------------------------------------------------------------------------------------------------------------------------------------------------------------------------------------------------------------------------------------------------------------------------------------------------------|
| Step 1 | <pre>config t</pre> <p><b>Example:</b><br/>switch# config t<br/>Enter configuration commands, one per line. End with CNTL/Z.<br/>switch(config)# </p>                        | Places you in global configuration mode.                                                                                                                                                                                                                                                                                                                                                                                                                                                                                                 |
| Step 2 | <pre>snmp-server source-interface traps<br/>if-type if-number</pre> <p><b>Example:</b><br/>switch(config)# snmp-server<br/>source-interface traps ethernet 1/2 </p>          | <p>Globally configures a source interface for sending out SNMP traps. Use ? to determine the supported interface types.</p> <p>You can configure the source interface at the global level or at a host level. When the source interface is configured globally, any new host configuration uses the global configuration to send the traps.</p> <p><b>Note</b> To configure a source interface at the host level, use this command: <b>snmp-server host ip-address source-interface if-type if-number</b>.</p>                           |
| Step 3 | <pre>show snmp source-interface</pre> <p><b>Example:</b><br/>switch(config)# show snmp<br/>source-interface </p>                                                             | (Optional) Displays information about configured source interfaces.                                                                                                                                                                                                                                                                                                                                                                                                                                                                      |
| Step 4 | <pre>snmp-server host ip-address use-vrf<br/>vrf_name [udp_port number]</pre> <p><b>Example:</b><br/>switch(config)# snmp-server host<br/>171.71.48.164 use_vrf default </p> | <p>Configures SNMP to use the selected VRF to communicate with the host receiver. The <i>ip-address</i> can be an IPv4 or IPv6 address. The VRF name can be any alphanumeric string up to 255 characters. The UDP port number range is from 0 to 65535. This command adds an entry into the ExtSnmpTargetVrfTable of the CISCO-SNMP-TARGET-EXT-MB.</p> <p><b>Note</b> By default, SNMP sends the traps using the management VRF. If you do not want to use the management VRF, you must use this command to specify the desired VRF.</p> |
| Step 5 | <pre>show snmp host</pre> <p><b>Example:</b><br/>switch(config)# show snmp host </p>                                                                                         | (Optional) Displays information about configured SNMP hosts.                                                                                                                                                                                                                                                                                                                                                                                                                                                                             |
| Step 6 | <pre>copy running-config startup-config</pre> <p><b>Example:</b><br/>switch(config)# copy running-config<br/>startup-config </p>                                             | (Optional) Saves this configuration change.                                                                                                                                                                                                                                                                                                                                                                                                                                                                                              |

***Send document comments to [nexus7k-docfeedback@cisco.com](mailto:nexus7k-docfeedback@cisco.com).***

This example shows how to configure SNMP to send traps using a globally configured inband port:

```
switch# config t
Enter configuration commands, one per line.  End with CNTL/Z.
switch(config)# snmp-server source-interface traps ethernet 1/2
switch(config)# show snmp source-interface
-----
Notification                               source-interface
-----
trap   Ethernet1/2

inform                                       -
-----

switch(config)# snmp-server host 171.71.48.164 use_vrf default
switch(config)# show snmp host
-----
Host   Port Version  Level  Type  SecName
-----
171.71.48.164                               162  v2c      noauth trap  public

Use VRF: default

Source interface: Ethernet 1/2
-----
```

## Enabling SNMP Notifications

You can enable or disable notifications. If you do not specify a notification name, Cisco NX-OS enables all notifications.

Table 11-4 lists the commands that enable the notifications for Cisco NX-OS MIBs.



### Note

The **snmp-server enable traps** command enables both traps and informs, depending on the configured notification host receivers.

**Table 11-4** Enabling SNMP Notifications

| MIB                  | Related Commands                                                                                                                                             |
|----------------------|--------------------------------------------------------------------------------------------------------------------------------------------------------------|
| All notifications    | <b>snmp-server enable traps</b>                                                                                                                              |
| CISCO-AAA-SERVER-MIB | <b>snmp-server enable traps aaa</b><br><b>snmp-server enable traps aaa server-state-change</b>                                                               |
| CISCO-BGP4-MIB       | <b>snmp-server enable traps bgp</b>                                                                                                                          |
| CISCO-STP-BRIDGE-MIB | <b>snmp-server enable traps bridge</b><br><b>snmp-server enable traps bridge newroot</b><br><b>snmp-server enable traps bridge topologychange</b>            |
| CISCO-CALLHOME-MIB   | <b>snmp-server enable traps callhome</b><br><b>snmp-server enable traps callhome event-notify</b><br><b>snmp-server enable traps callhome smtp-send-fail</b> |
| CISCO-CFS-MIB        | <b>snmp-server enable traps cfs</b><br><b>snmp-server enable traps cfs merge-failure</b><br><b>snmp-server enable traps cfs state-change-notif</b>           |

**Send document comments to [nexus7k-docfeedback@cisco.com](mailto:nexus7k-docfeedback@cisco.com).**

**Table 11-4 Enabling SNMP Notifications (continued)**

| <b>MIB</b>                                 | <b>Related Commands</b>                                                                                                                                                                                                                                                                                                                                                                                                                                                                                                   |
|--------------------------------------------|---------------------------------------------------------------------------------------------------------------------------------------------------------------------------------------------------------------------------------------------------------------------------------------------------------------------------------------------------------------------------------------------------------------------------------------------------------------------------------------------------------------------------|
| CISCO-CONFIG-MAN-MIB                       | snmp-server enable traps config<br>snmp-server enable traps config ccmCLIRunningConfigChanged                                                                                                                                                                                                                                                                                                                                                                                                                             |
| CISCO-EIGRP-MIB                            | snmp-server enable traps eigrp <i>[tag]</i>                                                                                                                                                                                                                                                                                                                                                                                                                                                                               |
| ENTITY-MIB,<br>CISCO-ENTITY-SENSOR-<br>MIB | snmp-server enable traps entity<br>snmp-server enable traps entity entity_fan_status_change<br>snmp-server enable traps entity entity_mib_change<br>snmp-server enable traps entity entity_module_inserted<br>snmp-server enable traps entity entity_module_removed<br>snmp-server enable traps entity entity_module_status_change<br>snmp-server enable traps entity entity_power_out_change<br>snmp-server enable traps entity entity_power_status_change<br>snmp-server enable traps entity entity_unrecognised_module |
| CISCO-FEATURE-<br>CONTROL-MIB              | snmp-server enable traps feature-control<br>snmp-server enable traps feature-control<br>FeatureOpStatusChange                                                                                                                                                                                                                                                                                                                                                                                                             |
| CISCO-HSRP-MIB                             | snmp-server enable traps hsrp<br>snmp-server enable traps hsrp state-change                                                                                                                                                                                                                                                                                                                                                                                                                                               |
| CISCO-LICENSE-MGR-MIB                      | snmp-server enable traps license<br>snmp-server enable traps license notify-license-expiry<br>snmp-server enable traps license notify-license-expiry-warning<br>snmp-server enable traps license notify-licensefile-missing<br>snmp-server enable traps license notify-no-license-for-feature                                                                                                                                                                                                                             |
| IF-MIB                                     | snmp-server enable traps link<br>snmp-server enable traps link IETF-extended-linkDown<br>snmp-server enable traps link IETF-extended-linkUp<br>snmp-server enable traps link cisco-extended-linkDown<br>snmp-server enable traps link cisco-extended-linkUp<br>snmp-server enable traps link linkDown<br>snmp-server enable traps link Up                                                                                                                                                                                 |
| OSPF-MIB,<br>OSPF-TRAP-MIB                 | snmp-server enable traps ospf <i>[tag]</i><br>snmp-server enable traps ospf lsa<br>snmp-server enable traps ospf rate-limit <i>rate</i>                                                                                                                                                                                                                                                                                                                                                                                   |
| CISCO-PORT-SECURITY-<br>MIB                | snmp-server enable traps port-security<br>snmp-server enable traps port-security<br>access-secure-mac-violation<br>snmp-server enable traps port-security<br>trunk-secure-mac-violation                                                                                                                                                                                                                                                                                                                                   |
| CISCO-RF-MIB                               | snmp-server enable traps rf<br>snmp-server enable traps rf redundancy_framework                                                                                                                                                                                                                                                                                                                                                                                                                                           |
| CISCO-RMON-MIB                             | snmp-server enable traps rmon<br>snmp-server enable traps rmon fallingAlarm<br>snmp-server enable traps rmon hcFallingAlarm<br>snmp-server enable traps rmon hcRisingAlarm<br>snmp-server enable traps rmon risingAlarm                                                                                                                                                                                                                                                                                                   |

***Send document comments to [nexus7k-docfeedback@cisco.com](mailto:nexus7k-docfeedback@cisco.com).***

**Table 11-4** Enabling SNMP Notifications (continued)

| MIB                  | Related Commands                                                                                                                                                                                                                         |
|----------------------|------------------------------------------------------------------------------------------------------------------------------------------------------------------------------------------------------------------------------------------|
| SNMPv2-MIB           | <code>snmp-server enable traps snmp</code><br><code>snmp-server enable traps snmp authentication</code>                                                                                                                                  |
| CISCO-STPX-MIB       | <code>snmp-server enable traps stpx</code><br><code>snmp-server enable traps stpx inconsistency</code><br><code>snmp-server enable traps stpx loop-inconsistency</code><br><code>snmp-server enable traps stpx root-inconsistency</code> |
| CISCO-SYSTEM-EXT-MIB | <code>sysmgr</code><br><code>sysmgr cseFailSwCoreNotifyExtended</code>                                                                                                                                                                   |
| UPGRADE-MIB          | <code>upgrade</code><br><code>upgrade UpgradeJobStatusNotify</code><br><code>upgrade UpgradeOpNotifyOnCompletion</code>                                                                                                                  |
| ZONE-MIB             | <code>zone</code><br><code>zone default-zone-behavior-change</code><br><code>zone merge-failure</code><br><code>zone merge-success</code><br><code>zone request-reject1</code><br><code>zone unsupp-mem</code>                           |

Use the following commands in global configuration mode to enable the specified notification:

| Command                                                                                                                                                                    | Purpose                                                                                                                                                                                                                                                                                       |
|----------------------------------------------------------------------------------------------------------------------------------------------------------------------------|-----------------------------------------------------------------------------------------------------------------------------------------------------------------------------------------------------------------------------------------------------------------------------------------------|
| <b>snmp-server enable traps</b><br><br><b>Example:</b><br><pre>switch(config)# snmp-server enable traps</pre>                                                              | Enables all SNMP notifications.                                                                                                                                                                                                                                                               |
| <b>snmp-server enable traps aaa</b><br><b>[server-state-change]</b><br><br><b>Example:</b><br><pre>switch(config)# snmp-server enable traps aaa</pre>                      | Enables AAA SNMP notifications. Optionally, enables the following specific notifications: <ul style="list-style-type: none"> <li><b>server-state-change</b>—Enables AAA server state-change notifications.</li> </ul>                                                                         |
| <b>snmp-server enable traps bgp</b><br><br><b>Example:</b><br><pre>switch(config)# snmp-server enable traps bgp</pre>                                                      | Enables BGP SNMP notifications.                                                                                                                                                                                                                                                               |
| <b>snmp-server enable traps bridge</b><br><b>[newroot]</b><br><b>[topologychange]</b><br><br><b>Example:</b><br><pre>switch(config)# snmp-server enable traps bridge</pre> | Enables STP bridge SNMP notifications. Optionally, enables the following specific notifications: <ul style="list-style-type: none"> <li><b>newroot</b>—Enables STP new root bridge notifications.</li> <li><b>topologychange</b>—Enables STP bridge topology-change notifications.</li> </ul> |

**Send document comments to [nexus7k-docfeedback@cisco.com](mailto:nexus7k-docfeedback@cisco.com).**

| Command                                                                                                                                                                                                                                                                                                                                 | Purpose                                                                                                                                                                                                                                                                                                                                                                                                                                                                                                                                                                                                                                                                                                                                                                                                                                                                                      |
|-----------------------------------------------------------------------------------------------------------------------------------------------------------------------------------------------------------------------------------------------------------------------------------------------------------------------------------------|----------------------------------------------------------------------------------------------------------------------------------------------------------------------------------------------------------------------------------------------------------------------------------------------------------------------------------------------------------------------------------------------------------------------------------------------------------------------------------------------------------------------------------------------------------------------------------------------------------------------------------------------------------------------------------------------------------------------------------------------------------------------------------------------------------------------------------------------------------------------------------------------|
| <pre>snmp-server enable traps callhome [event-notify] [smtp-send-fail]</pre> <p><b>Example:</b><br/>switch(config)# snmp-server enable traps callhome</p>                                                                                                                                                                               | <p>Enables Call Home notifications. Optionally, enables the following specific notifications:</p> <ul style="list-style-type: none"> <li>• <b>event-notify</b>—Enables Call Home external event notifications.</li> <li>• <b>smtp-send-fail</b>—Enables Simple Mail Transfer Protocol (SMTP) message send fail notifications.</li> </ul>                                                                                                                                                                                                                                                                                                                                                                                                                                                                                                                                                     |
| <pre>snmp-server enable traps cfs [merge-failure] [state-change-notif]</pre> <p><b>Example:</b><br/>switch(config)# snmp-server enable traps cfs</p>                                                                                                                                                                                    | <p>Enables Cisco Fabric Services (CFS) notifications. Optionally, enables the following specific notifications:</p> <ul style="list-style-type: none"> <li>• <b>merge-failure</b>—Enables CFS merge-failure notifications.</li> <li>• <b>state-change-notif</b>—Enables CFS state-change notifications.</li> </ul>                                                                                                                                                                                                                                                                                                                                                                                                                                                                                                                                                                           |
| <pre>snmp-server enable traps config [ccmCLIRunningConfigChanged]</pre> <p><b>Example:</b><br/>switch(config)# snmp-server enable traps config</p>                                                                                                                                                                                      | <p>Enables SNMP notifications for configuration changes.</p> <ul style="list-style-type: none"> <li>• <b>ccmCLIRunningConfigChanged</b>—Enables SNMP notifications for configuration changes in the running or startup configuration.</li> </ul>                                                                                                                                                                                                                                                                                                                                                                                                                                                                                                                                                                                                                                             |
| <pre>snmp-server enable traps eigrp [tag]</pre> <p><b>Example:</b><br/>switch(config)# snmp-server enable traps eigrp</p>                                                                                                                                                                                                               | <p>Enables CISCO-EIGRP-MIB SNMP notifications.</p>                                                                                                                                                                                                                                                                                                                                                                                                                                                                                                                                                                                                                                                                                                                                                                                                                                           |
| <pre>snmp-server enable traps entity [entity_fan_status_change] [entity_mib_change] [entity_module_inserted] [entity_module_removed] [entity_module_status_change] [entity_power_out_change] [entity_power_status_change] [entity_unrecognised_module]</pre> <p><b>Example:</b><br/>switch(config)# snmp-server enable traps entity</p> | <p>Enables ENTITY-MIB SNMP notifications. Optionally, enables the following specific notifications:</p> <ul style="list-style-type: none"> <li>• <b>entity_fan_status_change</b>—Enables entity fan status-change notifications.</li> <li>• <b>entity_mib_change</b>—Enables entity MIB change notifications.</li> <li>• <b>entity_module_inserted</b>—Enables entity module inserted notifications.</li> <li>• <b>entity_module_removed</b>—Enables entity module removed notifications.</li> <li>• <b>entity_module_status_change</b>—Enables entity module status-change notifications.</li> <li>• <b>entity_power_out_change</b>—Enables entity power-out change notifications.</li> <li>• <b>entity_power_status_change</b>—Enables entity power status-change notifications.</li> <li>• <b>entity_unrecognised_module</b>—Enables entity unrecognized module notifications.</li> </ul> |

**Send document comments to [nexus7k-docfeedback@cisco.com](mailto:nexus7k-docfeedback@cisco.com).**

| Command                                                                                                                                                                                                                                      | Purpose                                                                                                                                                                                                                                                                                                                                                                                                                                                                                                                                                                                                                                                                                                                                        |
|----------------------------------------------------------------------------------------------------------------------------------------------------------------------------------------------------------------------------------------------|------------------------------------------------------------------------------------------------------------------------------------------------------------------------------------------------------------------------------------------------------------------------------------------------------------------------------------------------------------------------------------------------------------------------------------------------------------------------------------------------------------------------------------------------------------------------------------------------------------------------------------------------------------------------------------------------------------------------------------------------|
| <pre>snmp-server enable traps feature-control [FeatureOpStatusChange]</pre> <p><b>Example:</b><br/>switch(config)# snmp-server enable traps feature-control</p>                                                                              | <p>Enables feature-control SNMP notifications. Optionally, enables the following specific notifications:</p> <ul style="list-style-type: none"> <li>• <b>FeatureOpStatusChange</b>—Enables feature operation status-change notifications.</li> </ul>                                                                                                                                                                                                                                                                                                                                                                                                                                                                                           |
| <pre>snmp-server enable traps hsrp [state-change]</pre> <p><b>Example:</b><br/>switch(config)# snmp-server enable traps hsrp</p>                                                                                                             | <p>Enables CISCO-HSRP-MIB SNMP notifications. Optionally, enables the following specific notifications:</p> <ul style="list-style-type: none"> <li>• <b>state-change</b>—Enables HSRP state-change notifications.</li> </ul>                                                                                                                                                                                                                                                                                                                                                                                                                                                                                                                   |
| <pre>snmp-server enable traps license [notify-license-expiry] [notify-license-expiry-warning] [notify-licensefile-missing] [notify-no-license-for-feature]</pre> <p><b>Example:</b><br/>switch(config)# snmp-server enable traps license</p> | <p>Enables license SNMP notifications. Optionally, enables the following specific notifications:</p> <ul style="list-style-type: none"> <li>• <b>notify-license-expiry</b>—Enables license expiry notifications.</li> <li>• <b>notify-license-expiry-warning</b>—Enables license expiry warning notifications.</li> <li>• <b>notify-licensefile-missing</b>—Enables license file-missing notifications.</li> <li>• <b>notify-no-license-for-feature</b>—Enables no-license-installed-for-feature notifications.</li> </ul>                                                                                                                                                                                                                     |
| <pre>snmp-server enable traps link [IETF-extended-linkDown] [IETF-extended-linkUp] [cisco-extended-linkDown] [cisco-extended-linkUp] [linkDown] [linkUp]</pre> <p><b>Example:</b><br/>switch(config)# snmp-server enable traps link</p>      | <p>Enables IF-MIB link notifications. Optionally, enables the following specific notifications:</p> <ul style="list-style-type: none"> <li>• <b>IETF-extended-linkDown</b>—Enables Internet Engineering Task Force (IETF) extended link state down notifications.</li> <li>• <b>IETF-extended-linkUp</b>—Enables Internet Engineering Task Force (IETF) extended link state up notifications.</li> <li>• <b>cisco-extended-linkDown</b>—Enables Cisco extended link state down notifications.</li> <li>• <b>cisco-extended-linkUp</b>—Enables Cisco extended link state up notifications.</li> <li>• <b>linkDown</b>—Enables IETF link state down notifications.</li> <li>• <b>linkUp</b>—Enables IETF link state up notifications.</li> </ul> |
| <pre>snmp-server enable traps ospf [tag] [lsa] [rate-limit rate]</pre> <p><b>Example:</b><br/>switch(config)# snmp-server enable traps ospf</p>                                                                                              | <p>Enables open shortest path first (OSPF) notifications. Optionally, enables the following specific notifications:</p> <ul style="list-style-type: none"> <li>• <b>lsa</b>—Enables OSPF LSA notifications.</li> <li>• <b>rate-limit rate</b>—Enables rate limits on OSPF notifications. The range is from 2 to 60 seconds. The default is 10 seconds.</li> </ul>                                                                                                                                                                                                                                                                                                                                                                              |

**Send document comments to [nexus7k-docfeedback@cisco.com](mailto:nexus7k-docfeedback@cisco.com).**

| Command                                                                                                                                                                                        | Purpose                                                                                                                                                                                                                                                                                                                                                                                                                                                                                        |
|------------------------------------------------------------------------------------------------------------------------------------------------------------------------------------------------|------------------------------------------------------------------------------------------------------------------------------------------------------------------------------------------------------------------------------------------------------------------------------------------------------------------------------------------------------------------------------------------------------------------------------------------------------------------------------------------------|
| <pre>snmp-server enable traps port-security [access-secure-mac-violation] [trunk-secure-mac-violation]</pre> <p><b>Example:</b><br/>switch(config)# snmp-server enable traps port-security</p> | <p>Enables port-security SNMP notifications. Optionally, enables the following specific notifications:</p> <ul style="list-style-type: none"> <li>• <b>access-secure-mac-violation</b>—Enables secure machine access control (MAC) violation notifications.</li> <li>• <b>trunk-secure-mac-violation</b>—Enables virtual LAN (VLAN) secure MAC violation notifications.</li> </ul>                                                                                                             |
| <pre>snmp-server enable traps rf [redundancy-framework]</pre> <p><b>Example:</b><br/>switch(config)# snmp-server enable traps rf</p>                                                           | <p>Enables redundancy framework (RF) SNMP notifications. Optionally, enables the following specific notifications:</p> <ul style="list-style-type: none"> <li>• <b>redundancy-framework</b>—Enables RF Supervisor switchover MIB notifications.</li> </ul>                                                                                                                                                                                                                                     |
| <pre>snmp-server enable traps rmon [fallingAlarm] [hcFallingAlarm] [hcRisingAlarm] [risingAlarm]</pre> <p><b>Example:</b><br/>switch(config)# snmp-server enable traps rmon</p>                | <p>Enables remote monitoring (RMON) SNMP notifications. Optionally, enables the following specific notifications:</p> <ul style="list-style-type: none"> <li>• <b>fallingAlarm</b>—Enables RMON falling alarm notifications.</li> <li>• <b>hcFallingAlarm</b>—Enables RMON high-capacity falling alarm notifications.</li> <li>• <b>hcRisingAlarm</b>—Enables RMON high-capacity rising alarm notifications.</li> <li>• <b>risingAlarm</b>—Enables RMON rising alarm notifications.</li> </ul> |
| <pre>snmp-server enable traps snmp [authentication]</pre> <p><b>Example:</b><br/>switch(config)# snmp-server enable traps snmp</p>                                                             | <p>Enables general SNMP notifications. Optionally, enables the following specific notifications:</p> <ul style="list-style-type: none"> <li>• <b>authentication</b>—Enables SNMP authentication notifications.</li> </ul>                                                                                                                                                                                                                                                                      |
| <pre>snmp-server enable traps stpx [inconsistency] [loop-inconsistency] [root-inconsistency]</pre> <p><b>Example:</b><br/>switch(config)# snmp-server enable traps stpx</p>                    | <p>Enables STPX MIB notifications. Optionally, enables the following specific notifications:</p> <ul style="list-style-type: none"> <li>• <b>inconsistency</b>—Enables SNMP STPX MIB inconsistency update notifications.</li> <li>• <b>loop-inconsistency</b>—Enables SNMP STPX MIB loop-inconsistency update notifications.</li> <li>• <b>root-inconsistency</b>—Enables SNMP STPX MIB root-inconsistency update notifications.</li> </ul>                                                    |
| <pre>snmp-server enable traps sysmgr [cseFailSwCoreNotifyExtended]</pre> <p><b>Example:</b><br/>switch(config)# snmp-server enable traps sysmgr</p>                                            | <p>Enables software change notifications. Optionally, enables the following specific notifications:</p> <ul style="list-style-type: none"> <li>• <b>cseFailSwCoreNotifyExtended</b>—Enables software core notifications.</li> </ul>                                                                                                                                                                                                                                                            |



**Send document comments to [nexus7k-docfeedback@cisco.com](mailto:nexus7k-docfeedback@cisco.com).**

| Command                                                                                                                                                                                                         | Purpose                                                                                                                                                                                                                                                                                                                                                                                                                                                                                                                                          |
|-----------------------------------------------------------------------------------------------------------------------------------------------------------------------------------------------------------------|--------------------------------------------------------------------------------------------------------------------------------------------------------------------------------------------------------------------------------------------------------------------------------------------------------------------------------------------------------------------------------------------------------------------------------------------------------------------------------------------------------------------------------------------------|
| <pre>snmp-server enable traps upgrade [UpgradeJobStatusNotify] [UpgradeOpNotifyOnCompletion]</pre> <p><b>Example:</b><br/>switch(config)# snmp-server enable traps upgrade</p>                                  | <p>Enables upgrade notifications. Optionally, enables the following specific notifications:</p> <ul style="list-style-type: none"> <li>• <b>UpgradeJobStatusNotify</b>—Enables upgrade job status notifications.</li> <li>• <b>UpgradeOpNotifyOnCompletion</b>—Enables upgrade global status notifications.</li> </ul>                                                                                                                                                                                                                           |
| <pre>snmp-server enable traps vtp [notifs] [vlancreate] [vlandelete]</pre> <p><b>Example:</b><br/>switch(config)# snmp-server enable traps vtp</p>                                                              | <p>Enables upgrade notifications. Optionally, enables the following specific notifications:</p> <ul style="list-style-type: none"> <li>• <b>notifs</b>—Enables VTP notifications.</li> <li>• <b>vlancreate</b>—Enables VLAN creation notifications.</li> <li>• <b>vlandelete</b>—Enables VLAN deletion notifications.</li> </ul>                                                                                                                                                                                                                 |
| <pre>snmp-server enable traps zone [default-zone-behavior-change] [merge-failure] [merge-success] [request-reject1] [unsupp-mem]</pre> <p><b>Example:</b><br/>switch(config)# snmp-server enable traps zone</p> | <p>Enables default zone change notifications. Optionally, enables the following specific notifications:</p> <ul style="list-style-type: none"> <li>• <b>default-zone-behavior-change</b>—Enables default zone behavior change notifications.</li> <li>• <b>merge-failure</b>—Enables merge failure notifications.</li> <li>• <b>merge-success</b>—Enables merge success notifications.</li> <li>• <b>request-reject1</b>—Enables request reject notifications.</li> <li>• <b>unsupp-mem</b>—Enables unsupported member notifications.</li> </ul> |

## Disabling LinkUp/LinkDown Notifications on an Interface

You can disable linkUp and linkDown notifications on an individual interface. You can use these limit notifications on a flapping interface (an interface that transitions between up and down repeatedly).

Use the following command in interface configuration mode to disable linkUp/linkDown notifications for the interface:

| Command                                                                                                    | Purpose                                                                                      |
|------------------------------------------------------------------------------------------------------------|----------------------------------------------------------------------------------------------|
| <pre>no snmp trap link-status</pre> <p><b>Example:</b><br/>switch(config-if)# no snmp trap link-status</p> | <p>Disables SNMP link-state traps for the interface. This command is enabled by default.</p> |

[Send document comments to nexus7k-docfeedback@cisco.com.](mailto:nexus7k-docfeedback@cisco.com)

## Displaying SNMP ifIndex for an Interface

The SNMP ifIndex is used across multiple SNMP MIBs to link related interface information. The ifIndex is also used by NetFlow to collect information on an interface.

Use the following command in any mode to display the SNMP ifIndex values for interfaces:

| Command                                                                                                                                                                 | Purpose                                                                                                                                                                                                            |
|-------------------------------------------------------------------------------------------------------------------------------------------------------------------------|--------------------------------------------------------------------------------------------------------------------------------------------------------------------------------------------------------------------|
| <pre>show interface snmp-ifindex</pre> <p><b>Example:</b></p> <pre>switch# show interface snmp-ifindex   grep -i Eth12/1 Eth12/1          441974784  (0x1a580000)</pre> | <p>Displays the persistent SNMP ifIndex value from IF-MIB for all interfaces. Optionally, use the <code>l</code> keyword and the <code>grep</code> keyword to search for a particular interface in the output.</p> |

## Enabling a One-time Authentication for SNMP over TCP

You can enable a one-time authentication for SNMP over a TCP session.

Use the following command in global configuration mode to enable a one-time authentication for SNMP over TCP:

| Command                                                                                                             | Purpose                                                                                        |
|---------------------------------------------------------------------------------------------------------------------|------------------------------------------------------------------------------------------------|
| <pre>snmp-server tcp-session [auth]</pre> <p><b>Example:</b></p> <pre>switch(config)# snmp-server tcp-session</pre> | <p>Enables a one-time authentication for SNMP over a TCP session. The default is disabled.</p> |

## Assigning the SNMP Device Contact and Location Information

You can assign the device contact information, which is limited to 32 characters (without spaces) and the device location.

### BEFORE YOU BEGIN

Make sure that you are in the correct VDC. To change the VDC, use the `switchto vdc` command.

### SUMMARY STEPS

1. `config t`
2. `snmp-server contact name`
3. `snmp-server location name`
4. `show snmp`
5. `copy running-config startup-config`

***Send document comments to [nexus7k-docfeedback@cisco.com](mailto:nexus7k-docfeedback@cisco.com).***

## DETAILED STEPS

|        | Command                                                                                                                                       | Purpose                                                                 |
|--------|-----------------------------------------------------------------------------------------------------------------------------------------------|-------------------------------------------------------------------------|
| Step 1 | <b>config t</b><br><br><b>Example:</b><br>switch# config t<br>Enter configuration commands, one per line. End with CNTL/Z.<br>switch(config)# | Places you in global configuration mode.                                |
| Step 2 | <b>snmp-server contact name</b><br><br><b>Example:</b><br>switch(config)# snmp-server contact Admin                                           | Configures sysContact, which is the SNMP contact name.                  |
| Step 3 | <b>snmp-server location name</b><br><br><b>Example:</b><br>switch(config)# snmp-server location Lab-7                                         | Configures sysLocation, which is the SNMP location.                     |
| Step 4 | <b>show snmp</b><br><br><b>Example:</b><br>switch(config)# show snmp                                                                          | (Optional) Displays information about one or more destination profiles. |
| Step 5 | <b>copy running-config startup-config</b><br><br><b>Example:</b><br>switch(config)# copy running-config startup-config                        | (Optional) Saves this configuration change.                             |

This example shows how to configure the SNMP contact and location information:

```
switch# config t
Enter configuration commands, one per line. End with CNTL/Z.
switch(config)# snmp contact Admin
switch(config)# snmp location Lab-7
```

## Configuring the Context to Network Entity Mapping

You can configure an SNMP context to map to a logical network entity, such as a protocol instance or VRF.

### BEFORE YOU BEGIN

Make sure that you are in the correct VDC. To change the VDC, use the **switchto vdc** command.

Determine the logical network entity instance. For more information on VRFs and protocol instances, see the *Cisco Nexus 7000 Series NX-OS Unicast Routing Configuration Guide, Release 5.x*, or the *Cisco Nexus 7000 Series NX-OS Multicast Routing Configuration Guide, Release 5.x*.

***Send document comments to [nexus7k-docfeedback@cisco.com](mailto:nexus7k-docfeedback@cisco.com).***

## SUMMARY STEPS

1. **config t**
2. **snmp-server context** *context-name* [**instance** *instance-name*] [**vrf** *vrf-name*] [**topology** *topology-name*]
3. **snmp-server mib community-map** *community-name* **context** *context-name*
4. **show snmp context**
5. **copy running-config startup-config**

## DETAILED STEPS

|        | Command                                                                                                                                                                                                                                       | Purpose                                                                                                                      |
|--------|-----------------------------------------------------------------------------------------------------------------------------------------------------------------------------------------------------------------------------------------------|------------------------------------------------------------------------------------------------------------------------------|
| Step 1 | <b>config t</b><br><br><b>Example:</b><br>switch# config t<br>Enter configuration commands, one per line. End with CNTL/Z.<br>switch(config)#                                                                                                 | Places you in global configuration mode.                                                                                     |
| Step 2 | <b>snmp-server context</b> <i>context-name</i> [ <b>instance</b> <i>instance-name</i> ] [ <b>vrf</b> <i>vrf-name</i> ] [ <b>topology</b> <i>topology-name</i> ]<br><br><b>Example:</b><br>switch(config)# snmp-server context public1 vrf red | Maps an SNMP context to a protocol instance, VRF, or topology. The names can be any alphanumeric string up to 32 characters. |
| Step 3 | <b>snmp-server mib community-map</b> <i>community-name</i> <b>context</b> <i>context-name</i><br><br><b>Example:</b><br>switch(config)# snmp-server mib community-map public context public1                                                  | (Optional) Maps an SNMPv2c community to an SNMP context. The names can be any alphanumeric string up to 32 characters.       |
| Step 4 | <b>show snmp context</b><br><br><b>Example:</b><br>switch(config)# show snmp context                                                                                                                                                          | (Optional) Displays information about one or more SNMP contexts.                                                             |
| Step 5 | <b>copy running-config startup-config</b><br><br><b>Example:</b><br>switch(config)# copy running-config startup-config                                                                                                                        | (Optional) Saves this configuration change.                                                                                  |

This example shows how to map VRF red to the SNMPv2c public community string:

```
switch# config t
Enter configuration commands, one per line. End with CNTL/Z.
switch(config)# vrf context red
switch(config-vrf)# exit
switch(config)# snmp-server context public1 vrf red
switch(config)# snmp-server mib community-map public context public1
```

***Send document comments to [nexus7k-docfeedback@cisco.com](mailto:nexus7k-docfeedback@cisco.com).***

This example shows how to map OSPF instance Enterprise to the same SNMPv2c public community string:

```
switch# config t
Enter configuration commands, one per line. End with CNTL/Z.
switch(config)# feature ospf
switch(config)# router ospf Enterprise
switch(config-router)# exit
switch(config)# snmp-server context public1 instance Enterprise
switch(config)# snmp-server mib community-map public context public1
```

Use the following command in global configuration mode to delete the mapping between an SNMP context and a logical network entity:

| Command                                                                                                                                                                                                                                           | Purpose                                                                                                                                                                                                                                                                                                                                                                                               |
|---------------------------------------------------------------------------------------------------------------------------------------------------------------------------------------------------------------------------------------------------|-------------------------------------------------------------------------------------------------------------------------------------------------------------------------------------------------------------------------------------------------------------------------------------------------------------------------------------------------------------------------------------------------------|
| <pre><b>no snmp-server context</b> <i>context-name</i> [<b>instance</b> <i>instance-name</i>] [<b>vrf</b> <i>vrf-name</i>] [<b>topology</b> <i>topology-name</i>]</pre> <p><b>Example:</b><br/>switch(config)# no snmp-server context public1</p> | <p>Deletes the mapping between an SNMP context and a protocol instance, VRF, or topology. The names can be any alphanumeric string up to 32 characters.</p> <p><b>Note</b> Do not enter an instance, VRF, or topology to delete a context mapping. If you use the <b>instance</b>, <b>vrf</b>, or <b>topology</b> keywords, you configure a mapping between the context and a zero-length string.</p> |

## Disabling SNMP

You can disable SNMP on a device.

Use the following command in global configuration mode to disable SNMP:

| Command                                                                                                                    | Purpose                                                   |
|----------------------------------------------------------------------------------------------------------------------------|-----------------------------------------------------------|
| <pre><b>no snmp-server protocol enable</b></pre> <p><b>Example:</b><br/>switch(config)# no snmp-server protocol enable</p> | <p>Disables SNMP. This command is enabled by default.</p> |

## Modifying the AAA Synchronization Time

You can modify how long Cisco NX-OS holds the synchronized user configuration.

Use the following command in global configuration mode to modify the AAA synchronization time:

| Command                                                                                                                                                 | Purpose                                                                                                                                                 |
|---------------------------------------------------------------------------------------------------------------------------------------------------------|---------------------------------------------------------------------------------------------------------------------------------------------------------|
| <pre><b>snmp-server aaa-user cache-timeout</b> <i>seconds</i></pre> <p><b>Example:</b><br/>switch(config)# snmp-server aaa-user cache-timeout 1200.</p> | <p>Configures how long the AAA synchronized user configuration stays in the local cache. The range is from 1 to 86400 seconds. The default is 3600.</p> |

*Send document comments to [nexus7k-docfeedback@cisco.com](mailto:nexus7k-docfeedback@cisco.com).*

## Verifying the SNMP Configuration

To display the SNMP configuration information, perform one of the following tasks:

| Command                                     | Purpose                                                           |
|---------------------------------------------|-------------------------------------------------------------------|
| <code>show interface snmp-ifindex</code>    | Displays the SNMP ifIndex value for all interfaces (from IF-MIB). |
| <code>show running-config snmp [all]</code> | Displays the SNMP running configuration.                          |
| <code>show snmp</code>                      | Displays the SNMP status.                                         |
| <code>show snmp community</code>            | Displays the SNMP community strings.                              |
| <code>show snmp context</code>              | Displays the SNMP context mapping.                                |
| <code>show snmp engineID</code>             | Displays the SNMP engineID.                                       |
| <code>show snmp group</code>                | Displays SNMP roles.                                              |
| <code>show snmp host</code>                 | Displays information about configured SNMP hosts.                 |
| <code>show snmp session</code>              | Displays SNMP sessions.                                           |
| <code>show snmp source-interface</code>     | Displays information about configured source interfaces.          |
| <code>show snmp trap</code>                 | Displays the SNMP notifications enabled or disabled.              |
| <code>show snmp user</code>                 | Displays SNMPv3 users.                                            |

## Configuration Examples for SNMP

This example shows how to configure Cisco NX-OS to send the Cisco linkUp or Down notifications to one notification host receiver using the Blue VRF and defines two SNMP users, Admin and NMS:

```
config t
snmp-server contact Admin@company.com
snmp-server user Admin auth sha abcd1234 priv abcdefgh
snmp-server user NMS auth sha abcd1234 priv abcdefgh engineID
00:00:00:63:00:01:00:22:32:15:10:03
snmp-server host 192.0.2.1 informs version 3 auth NMS
snmp-server host 192.0.2.1 use-vrf Blue
snmp-server enable traps link cisco
```

This example shows how to configure SNMP to send traps using an inband port configured at the host level:

```
switch# config t
Enter configuration commands, one per line. End with CNTL/Z.
switch(config)# snmp-server host 171.71.48.164 version 2c public
switch(config)# snmp-server host 171.71.48.164 source-interface ethernet 1/2
switch(config)# show snmp host
-----
Host                               Port Version Level Type  SecName
-----
171.71.48.164                       162 v2c    noauth trap  public
```

***Send document comments to [nexus7k-docfeedback@cisco.com](mailto:nexus7k-docfeedback@cisco.com).***

```

Source interface: Ethernet 1/2
-----

switch(config)# snmp-server host 171.71.48.164 use_vrf default
switch(config)# show snmp host
-----

Host                               Port Version  Level  Type  SecName
-----
171.71.48.164                       162  v2c     noauth trap  public

Use VRF: default

Source interface: Ethernet 1/2
-----

```

## Additional References

For additional information related to implementing SNMP, see the following sections:

- [Related Documents, page 11-29](#)
- [Standards, page 11-29](#)
- [MIBs, page 11-30](#)

## Related Documents

| Related Topic     | Document Title                                                                                                                            |
|-------------------|-------------------------------------------------------------------------------------------------------------------------------------------|
| SNMP CLI commands | <i>Cisco Nexus 7000 Series NX-OS System Management Command Reference</i>                                                                  |
| VDCs and VRFs     | <i>Cisco Nexus 7000 Series NX-OS Virtual Device Context Configuration Guide, Release 5.x</i>                                              |
| MIBs              | <a href="http://www.cisco.com/public/sw-center/netmgmt/cmtk/mibs.shtml">http://www.cisco.com/public/sw-center/netmgmt/cmtk/mibs.shtml</a> |

## Standards

| Standards                                                                                                                             | Title |
|---------------------------------------------------------------------------------------------------------------------------------------|-------|
| No new or modified standards are supported by this feature, and support for existing standards has not been modified by this feature. | —     |

***Send document comments to [nexus7k-docfeedback@cisco.com](mailto:nexus7k-docfeedback@cisco.com).***

## MIBs

| MIBs                                                                                                                                                                                   | MIBs Link                                                                                                                                                                                                     |
|----------------------------------------------------------------------------------------------------------------------------------------------------------------------------------------|---------------------------------------------------------------------------------------------------------------------------------------------------------------------------------------------------------------|
| <ul style="list-style-type: none"> <li>• SNMP-COMMUNITY-MIB</li> <li>• SNMP-FRAMEWORK-MIB</li> <li>• SNMP-NOTIFICATION-MIB</li> <li>• SNMP-TARGET-MIB</li> <li>• SNMPv2-MIB</li> </ul> | <p>To locate and download MIBs, go to the following URL:</p> <p><a href="http://www.cisco.com/public/sw-center/netmgmt/cmtk/mibs.shtml">http://www.cisco.com/public/sw-center/netmgmt/cmtk/mibs.shtml</a></p> |

## Feature History for SNMP

Table 11-5 lists the release history for this feature.

**Table 11-5** Feature History for SNMP

| Feature Name                                   | Releases | Feature Information                                                                                                                                                                      |
|------------------------------------------------|----------|------------------------------------------------------------------------------------------------------------------------------------------------------------------------------------------|
| SNMP protocol                                  | 5.2(1)   | No change from Release 5.1.                                                                                                                                                              |
| SNMP protocol                                  | 5.1(1)   | No change from Release 5.0.                                                                                                                                                              |
| SNMP notifications                             | 5.0(2)   | Updated the <b>snmp-server enable traps</b> commands. See the “ <a href="#">Enabling SNMP Notifications</a> ” section on page 11-17.                                                     |
| IPv6 support                                   | 4.2(1)   | Supports configuring IPv6 SNMP hosts.                                                                                                                                                    |
| Filter SNMP requests by community using an ACL | 4.2(1)   | Assigns an ACL to an SNMP community to filter SNMP requests. See the “ <a href="#">Filtering SNMP Requests</a> ” section on page 11-11.                                                  |
| Use interfaces for SNMP notification receivers | 4.2(1)   | Adds support to designate an interface to act as the source interface for SNMP notifications. See the “ <a href="#">Configuring SNMP Notification Receivers</a> ” section on page 11-12. |
| SNMP AAA synchronization                       | 4.0(3)   | Adds ability to modify the synchronized user configuration timeout. See the “ <a href="#">Modifying the AAA Synchronization Time</a> ” section on page 11-27.                            |
| SNMP protocol                                  | 4.0(3)   | Added ability to disable the SNMP protocol. See the “ <a href="#">Disabling SNMP</a> ” section on page 11-27.                                                                            |





## CHAPTER 12

# Configuring RMON

---

This chapter describes how to configure the RMON feature on Cisco NX-OS devices.

This chapter includes the following sections:

- [Information About RMON, page 12-1](#)
- [Licensing Requirements for RMON, page 12-3](#)
- [Prerequisites for RMON, page 12-3](#)
- [Guidelines and Limitations, page 12-3](#)
- [Default Settings, page 12-3](#)
- [Configuring RMON, page 12-4](#)
- [Verifying the RMON Configuration, page 12-7](#)
- [Configuration Example for RMON, page 12-7](#)
- [Related Topics, page 12-7](#)
- [Additional References, page 12-7](#)
- [Feature History for RMON, page 12-8](#)

## Information About RMON

RMON is a Simple Network Management Protocol (SNMP) Internet Engineering Task Force (IETF) standard monitoring specification that allows various network agents and console systems to exchange network monitoring data. Cisco NX-OS supports RMON alarms, events, and logs to monitor Cisco NX-OS devices.

An RMON alarm monitors a specific management information base (MIB) object for a specified interval, triggers an alarm at a specified threshold value (threshold), and resets the alarm at another threshold value. You can use alarms with RMON events to generate a log entry or an SNMP notification when the RMON alarm triggers.

Beginning with Cisco NX-OS Release 5.1, RMON is enabled by default, but no alarms are configured in Cisco NX-OS. You can configure RMON alarms by using the CLI or an SNMP-compatible network management station.

This section includes the following topics:

- [RMON Alarms, page 12-2](#)
- [RMON Events, page 12-2](#)

***Send document comments to [nexus7k-docfeedback@cisco.com](mailto:nexus7k-docfeedback@cisco.com).***

- [High Availability, page 12-2](#)
- [Virtualization Support, page 12-3](#)

## RMON Alarms

You can set an alarm on any MIB object that resolves into an SNMP INTEGER type. The specified object must be an existing SNMP MIB object in standard dot notation (for example, 1.3.6.1.2.1.2.2.1.14 represents ifInOctets.14).

When you create an alarm, you specify the following parameters:

- MIB object to monitor.
- Sampling interval—The interval that Cisco NX-OS uses to collect a sample value of the MIB object.
- Sample type—Absolute samples take the current snapshot of the MIB object value. Delta samples take two consecutive samples and calculate the difference between them.
- Rising threshold—The value at which Cisco NX-OS triggers a rising alarm or resets a falling alarm.
- Falling threshold—The value at which Cisco NX-OS triggers a falling alarm or resets a rising alarm.
- Events—The action that Cisco NX-OS takes when an alarm (rising or falling) triggers.



### Note

---

Use the `hcalarms` option to set an alarm on a 64-bit integer MIB object.

---

For example, you can set a delta type rising alarm on an error counter MIB object. If the error counter delta exceeds this value, you can trigger an event that sends an SNMP notification and logs the rising alarm event. This rising alarm will not occur again until the delta sample for the error counter drops below the falling threshold.



### Note

---

The falling threshold must be less than the rising threshold.

---

## RMON Events

You can associate a particular event to each RMON alarm. RMON supports the following event types:

- SNMP notification—Sends an SNMP `risingAlarm` or `fallingAlarm` notification when the associated alarm triggers.
- Log—Adds an entry in the RMON log table when the associated alarm triggers.
- Both—Sends an SNMP notification and adds an entry in the RMON log table when the associated alarm triggers.

You can specify a different event for a falling alarm and a rising alarm.

## High Availability

Cisco NX-OS supports stateless restarts for RMON. After a reboot or supervisor switchover, Cisco NX-OS applies the running configuration.

***Send document comments to [nexus7k-docfeedback@cisco.com](mailto:nexus7k-docfeedback@cisco.com).***

## Virtualization Support

Cisco NX-OS supports one instance of the RMON per virtual device context (VDC). By default, Cisco NX-OS places you in the default VDC. See the *Cisco Nexus 7000 Series NX-OS Virtual Device Context Configuration Guide, Release 5.x*.

RMON is virtual routing and forwarding (VRF) aware. You can configure RMON to use a particular VRF to reach the RMON SMTP server.

## Licensing Requirements for RMON

| Product     | License Requirement                                                                                                                                                                                                                                                           |
|-------------|-------------------------------------------------------------------------------------------------------------------------------------------------------------------------------------------------------------------------------------------------------------------------------|
| Cisco NX-OS | RMON requires no license. Any feature not included in a license package is bundled with the Cisco NX-OS system images and is provided at no extra charge to you. For a complete explanation of the Cisco NX-OS licensing scheme, see the <i>Cisco NX-OS Licensing Guide</i> . |

## Prerequisites for RMON

RMON has the following prerequisites:

If you configure VDCs, install the Advanced Services license and enter the desired VDC (see the *Cisco Nexus 7000 Series NX-OS Virtual Device Context Configuration Guide, Release 5.x*).

## Guidelines and Limitations

RMON has the following configuration guidelines and limitations:

- You must configure an SNMP user and a notification receiver to use the SNMP notification event type.
- You can configure an RMON alarm only on a MIB object that resolves to an integer.
- When you configure an RMON alarm, the object identifier must be complete with its index so that it refers to only one object. For example, 1.3.6.1.2.1.2.2.1.14 corresponds to `cpmCPUTotal5minRev`, and .1 corresponds to index `cpmCPUTotalIndex`, which creates object identifier 1.3.6.1.2.1.2.2.1.14.1.

## Default Settings

Table 12-1 lists the default settings for RMON parameters.

**Table 12-1** Default RMON Parameters

| Parameters | Default                                        |
|------------|------------------------------------------------|
| RMON       | Enabled beginning with Cisco NX-OS Release 5.1 |
| Alarms     | None configured                                |

**Send document comments to [nexus7k-docfeedback@cisco.com](mailto:nexus7k-docfeedback@cisco.com).**

## Configuring RMON

This section includes the following topics:

- [Configuring RMON Alarms, page 12-4](#)
- [Configuring RMON Events, page 12-6](#)



### Note

Be aware that the Cisco NX-OS commands for this feature may differ from those commands used in Cisco IOS.

## Configuring RMON Alarms

You can configure RMON alarms on any integer-based SNMP MIB object.

You can optionally specify the following parameters:

- The event-number to trigger if the rising or falling threshold exceeds the specified limit.
- The owner of the alarm.

### BEFORE YOU BEGIN

Ensure that you have configured an SNMP user and enabled SNMP notifications (see the “[Configuring SNMP](#)” section on page 11-7).

Make sure that you are in the correct VDC. To change the VDC, use the **switchto vdc** command.

### SUMMARY STEPS

1. **config t**
2. **rmon alarm** *index mib-object sample-interval* {**absolute** | **delta**} **rising-threshold** *value* [*event-index*] **falling-threshold** *value* [*event-index*] [**owner name**]
- or
- rmon hcalarm** *index mib-object sample-interval* {**absolute** | **delta**} **rising-threshold-high** *value* **rising-threshold-low** *value* [*event-index*] **falling-threshold-high** *value* **falling-threshold-low** *value* [*event-index*] [**owner name**] [**storagetype** *type*]
3. **show rmon** [**alarms** | **hcalarms**]
4. **copy running-config startup-config**

**[Send document comments to nexus7k-docfeedback@cisco.com.](mailto:nexus7k-docfeedback@cisco.com)**

## DETAILED STEPS

|        | Command                                                                                                                                                                                                                                                                                                                                                                                                                                                                                                                                                                                                                                        | Purpose                                                                                                                                                                              |
|--------|------------------------------------------------------------------------------------------------------------------------------------------------------------------------------------------------------------------------------------------------------------------------------------------------------------------------------------------------------------------------------------------------------------------------------------------------------------------------------------------------------------------------------------------------------------------------------------------------------------------------------------------------|--------------------------------------------------------------------------------------------------------------------------------------------------------------------------------------|
| Step 1 | <b>config t</b><br><br><b>Example:</b><br>switch# config t<br>Enter configuration commands, one per line. End with CNTL/Z.<br>switch(config)#                                                                                                                                                                                                                                                                                                                                                                                                                                                                                                  | Places you in global configuration mode.                                                                                                                                             |
| Step 2 | <b>rmon alarm</b> <i>index mib-object</i><br><i>sample-interval</i> { <b>absolute</b>   <b>delta</b> }<br><b>rising-threshold</b> <i>value</i> [ <i>event-index</i> ]<br><b>falling-threshold</b> <i>value</i> [ <i>event-index</i> ]<br>[ <b>owner</b> <i>name</i> ]<br><br><b>Example:</b><br>switch(config)# rmon alarm 20<br>1.3.6.1.2.1.2.2.1.14.1 2900 delta<br>rising-threshold 1500 1<br>falling-threshold 0 owner test                                                                                                                                                                                                                | Creates an RMON alarm. The value range is from –2147483647 to 2147483647. The owner name can be any alphanumeric string.                                                             |
|        | <b>rmon hcalarm</b> <i>index mib-object</i><br><i>sample-interval</i> { <b>absolute</b>   <b>delta</b> }<br><b>rising-threshold-high</b> <i>value</i><br><b>rising-threshold-low</b> <i>value</i> [ <i>event-index</i> ]<br><b>falling-threshold-high</b> <i>value</i><br><b>falling-threshold-low</b> <i>value</i><br>[ <i>event-index</i> ] [ <b>owner</b> <i>name</i> ] [ <b>storagetype</b><br><i>type</i> ]<br><br><b>Example:</b><br>switch(config)# rmon alarm 20<br>1.3.6.1.2.1.2.2.1.14.16777216 2900 delta<br>rising-threshold-high 15<br>rising-threshold-low 151<br>falling-threshold-high 0<br>falling-threshold-low 0 owner test | Creates an RMON high capacity alarm. The value range is from –2147483647 to 2147483647. The owner name can be any alphanumeric string.<br><br>The storage type range is from 1 to 5. |
| Step 3 | <b>show rmon</b> { <b>alarms</b>   <b>hcalarms</b> }<br><br><b>Example:</b><br>switch(config)# show rmon alarms                                                                                                                                                                                                                                                                                                                                                                                                                                                                                                                                | (Optional) Displays information about rmon alarms or high capacity alarms.                                                                                                           |
| Step 4 | <b>copy running-config startup-config</b><br><br><b>Example:</b><br>switch(config)# copy running-config<br>startup-config                                                                                                                                                                                                                                                                                                                                                                                                                                                                                                                      | (Optional) Saves this configuration change.                                                                                                                                          |

***Send document comments to [nexus7k-docfeedback@cisco.com](mailto:nexus7k-docfeedback@cisco.com).***

## Configuring RMON Events

You can configure RMON events to associate with RMON alarms. You can reuse the same event with multiple RMON alarms.

### BEFORE YOU BEGIN

Ensure that you have configured an SNMP user and enabled SNMP notifications (see the “[Configuring SNMP](#)” section on page 11-7).

Make sure that you are in the correct VDC. To change the VDC, use the **switchto vdc** command.

### SUMMARY STEPS

1. **config t**
2. **rmon event** *index* [**log**] [**trap string**] [**owner name**] [**description string**]
3. **show rmon events**
4. **copy running-config startup-config**

### DETAILED STEPS

|        | Command                                                                                                                                                                                       | Purpose                                                                                                       |
|--------|-----------------------------------------------------------------------------------------------------------------------------------------------------------------------------------------------|---------------------------------------------------------------------------------------------------------------|
| Step 1 | <b>config t</b><br><br><b>Example:</b><br>switch# config t<br>Enter configuration commands, one per line. End with CNTL/Z.<br>switch(config)#                                                 | Places you in global configuration mode.                                                                      |
| Step 2 | <b>rmon event</b> <i>index</i> [ <b>log</b> ] [ <b>trap string</b> ]<br>[ <b>owner name</b> ] [ <b>description string</b> ]<br><br><b>Example:</b><br>switch(config)# rmon event 1 trap trap1 | Configures an RMON event. The trap string, owner name, and description string can be any alphanumeric string. |
| Step 3 | <b>show rmon events</b><br><br><b>Example:</b><br>switch(config)# show rmon events                                                                                                            | (Optional) Displays information about rmon events.                                                            |
| Step 4 | <b>copy running-config startup-config</b><br><br><b>Example:</b><br>switch(config)# copy running-config startup-config                                                                        | (Optional) Saves this configuration change.                                                                   |

[Send document comments to nexus7k-docfeedback@cisco.com.](mailto:nexus7k-docfeedback@cisco.com)

## Verifying the RMON Configuration

To display RMON configuration information, perform one of the following tasks:

| Command                         | Purpose                                   |
|---------------------------------|-------------------------------------------|
| <code>show rmon alarms</code>   | Displays information about RMON alarms.   |
| <code>show rmon events</code>   | Displays information about RMON events.   |
| <code>show rmon hcalarms</code> | Displays information about RMON hcalarms. |
| <code>show rmon logs</code>     | Displays information about RMON logs.     |

## Configuration Example for RMON

This example shows how to create a delta rising alarm on ifInOctets.14 and associates a notification event with this alarm:

```
config t
  rmon alarm 20 1.3.6.1.2.1.2.2.1.14.1 2900 delta rising-threshold 1500 1
  falling-threshold 0 owner test
  rmon event 1 trap trap1
```

## Related Topics

See the following related topics:

- [Configuring SNMP, page 11-1](#)

## Additional References

For additional information related to implementing RMON, see the following sections:

- [Related Documents, page 12-7](#)
- [Standards, page 12-8](#)
- [MIBs, page 12-8](#)

## Related Documents

| Related Topic     | Document Title                                                                               |
|-------------------|----------------------------------------------------------------------------------------------|
| RMON CLI commands | <i>Cisco Nexus 7000 Series NX-OS System Management Command Reference</i>                     |
| VDCs and VRFs     | <i>Cisco Nexus 7000 Series NX-OS Virtual Device Context Configuration Guide, Release 5.x</i> |

***Send document comments to [nexus7k-docfeedback@cisco.com](mailto:nexus7k-docfeedback@cisco.com).***

## Standards

| Standards                                                                                                                             | Title |
|---------------------------------------------------------------------------------------------------------------------------------------|-------|
| No new or modified standards are supported by this feature, and support for existing standards has not been modified by this feature. | —     |

## MIBs

| MIBs                                                       | MIBs Link                                                                                                                                                                                          |
|------------------------------------------------------------|----------------------------------------------------------------------------------------------------------------------------------------------------------------------------------------------------|
| <ul style="list-style-type: none"> <li>RMON-MIB</li> </ul> | To locate and download MIBs, go to the following URL:<br><a href="http://www.cisco.com/public/sw-center/netmgmt/cmtk/mibs.shtml">http://www.cisco.com/public/sw-center/netmgmt/cmtk/mibs.shtml</a> |

## Feature History for RMON

[Table 12-2](#) lists the release history for this feature.

**Table 12-2**      *Feature History for RMON*

| Feature Name | Releases | Feature Information         |
|--------------|----------|-----------------------------|
| RMON         | 5.2(1)   | No change from Release 5.1. |
| RMON         | 5.1(1)   | Enabled RMON by default.    |
| RMON         | 5.0(2)   | No change from Release 4.2. |





## CHAPTER 13

# Configuring Online Diagnostics

---

This chapter describes how to configure the generic online diagnostics (GOLD) feature on Cisco NX-OS devices.

This chapter includes the following sections:

- [Information About Online Diagnostics, page 13-1](#)
- [Licensing Requirements for Online Diagnostics, page 13-5](#)
- [Prerequisites for Online Diagnostics, page 13-6](#)
- [Guidelines and Limitations, page 13-6](#)
- [Default Settings, page 13-6](#)
- [Configuring Online Diagnostics, page 13-6](#)
- [Verifying the Online Diagnostics Configuration, page 13-11](#)
- [Configuration Examples for Online Diagnostics, page 13-12](#)
- [Additional References, page 13-12](#)
- [Feature History for Online Diagnostics, page 13-13](#)



**Note**

---

For complete syntax and usage information for the commands in this chapter, see the *Cisco Nexus 7000 Series NX-OS System Management Command Reference*.

---

## Information About Online Diagnostics

Online diagnostics help you verify that hardware and internal data paths are operating as designed so that you can rapidly isolate faults.

This section includes the following topics:

- [Online Diagnostic Overview, page 13-2](#)
- [Bootup Diagnostics, page 13-2](#)
- [Runtime or Health Monitoring Diagnostics, page 13-3](#)
- [On-Demand Diagnostics, page 13-5](#)
- [High Availability, page 13-5](#)
- [Virtualization Support, page 13-5](#)

***Send document comments to [nexus7k-docfeedback@cisco.com](mailto:nexus7k-docfeedback@cisco.com).***

## Online Diagnostic Overview

With online diagnostics, you can test and verify the hardware functionality of the device while the device is connected to a live network.

The online diagnostics contain tests that check different hardware components and verify the data path and control signals. Disruptive online diagnostic tests (such as the disruptive loopback test) and nondisruptive online diagnostic tests (such as the ASIC register check) run during bootup, line module online insertion and removal (OIR), and system reset. The nondisruptive online diagnostic tests run as part of the background health monitoring, and you can run these tests on demand.

Online diagnostics are categorized as bootup, runtime or health-monitoring diagnostics, and on-demand diagnostics. Bootup diagnostics run during bootup, health-monitoring tests run in the background, and on-demand diagnostics run once or at user-designated intervals when the device is connected to a live network.

## Bootup Diagnostics

Bootup diagnostics run during bootup and detect faulty hardware before Cisco NX-OS brings a module online. For example, if you insert a faulty module in the device, bootup diagnostics test the module and take it offline before the device uses the module to forward traffic.

Bootup diagnostics also check the connectivity between the supervisor and module hardware and the data and control paths for all the ASICs. [Table 13-1](#) describes the bootup diagnostic tests for a module and a supervisor.

**Table 13-1** *Bootup Diagnostics*

| Diagnostic                | Description                                                                                                                                                    |
|---------------------------|----------------------------------------------------------------------------------------------------------------------------------------------------------------|
| <b>Module</b>             |                                                                                                                                                                |
| EOBCPortLoopback          | Disruptive test, not an on-demand test<br>Ethernet out of band                                                                                                 |
| OBFL                      | Verifies the integrity of the onboard failure logging (OBFL) flash.                                                                                            |
| PortLoopback <sup>1</sup> | Disruptive test, not an on-demand test<br>Sends and receives data on the same port to verify that the port is operational.                                     |
| FIPS <sup>2</sup>         | Disruptive test; run only when FIPS is enabled on the system<br>An internal test that runs during module bootup to validate the security device on the module. |
| BootupPortLoopback        | Disruptive test, not an on-demand test<br>A PortLoopback test that runs only during module bootup.                                                             |

**Send document comments to [nexus7k-docfeedback@cisco.com](mailto:nexus7k-docfeedback@cisco.com).**

**Table 13-1**      **Bootup Diagnostics (continued)**

| Diagnostic             | Description                                                                                      |
|------------------------|--------------------------------------------------------------------------------------------------|
| <b>Supervisor</b>      |                                                                                                  |
| USB                    | Nondisruptive test<br>Checks the USB controller initialization on a module.                      |
| CryptoDevice           | Nondisruptive test<br>Checks the Cisco Trusted Security (CTS) device initialization on a module. |
| ManagementPortLoopback | Disruptive test, not an on-demand test<br>Tests loopback on the management port of a module.     |
| EOBCPortLoopback       | Disruptive test, not an on-demand test<br>Ethernet out of band                                   |
| OBFL                   | Verifies the integrity of the onboard failure logging (OBFL) flash.                              |

1. The PortLoopback test is supported on all modules except the 48-port 1G copper Ethernet module.
2. F1 Series modules do not support the FIPS test.

Bootup diagnostics log failures to onboard failure logging (OBFL) and syslog and trigger a diagnostic LED indication (on, off, pass, or fail).

You can configure Cisco NX-OS to either bypass the bootup diagnostics or run the complete set of bootup diagnostics. See the [“Setting the Bootup Diagnostic Level”](#) section on page 13-7.

## Runtime or Health Monitoring Diagnostics

Runtime diagnostics are also called health monitoring (HM) diagnostics. These diagnostics provide information about the health of a live device. They detect runtime hardware errors, memory errors, the degradation of hardware modules over time, software faults, and resource exhaustion.

Health monitoring diagnostics are nondisruptive and run in the background to ensure the health of a device that is processing live network traffic. You can enable or disable health monitoring tests or change their runtime interval. [Table 13-2](#) describes the health monitoring diagnostics and test IDs for a module and a supervisor.

**Table 13-2**      **Health Monitoring Nondisruptive Diagnostics**

| Diagnostic        | Default Interval | Default Setting | Description                                                              |
|-------------------|------------------|-----------------|--------------------------------------------------------------------------|
| <b>Module</b>     |                  |                 |                                                                          |
| ASICRegisterCheck | 1 minute         | active          | Checks read/write access to scratch registers for the ASICs on a module. |
| PrimaryBootROM    | 30 minutes       | active          | Verifies the integrity of the primary boot device on a module.           |
| SecondaryBootROM  | 30 minutes       | active          | Verifies the integrity of the secondary boot device on a module.         |

**Send document comments to [nexus7k-docfeedback@cisco.com](mailto:nexus7k-docfeedback@cisco.com).**

**Table 13-2 Health Monitoring Nondisruptive Diagnostics (continued)**

| Diagnostic                      | Default Interval | Default Setting | Description                                                                                                                                                                                                                                                                                    |
|---------------------------------|------------------|-----------------|------------------------------------------------------------------------------------------------------------------------------------------------------------------------------------------------------------------------------------------------------------------------------------------------|
| PortLoopback <sup>1</sup>       | 15 minutes       | active          | Verifies connectivity through every port that is administratively down on every module in the system.                                                                                                                                                                                          |
| RewriteEngineLoopback           | 1 minute         | active          | Verifies the integrity of the nondisruptive loopback for all ports up to the Rewrite Engine ASIC device.                                                                                                                                                                                       |
| SnakeLoopback test <sup>2</sup> | 20 minutes       | active          | Performs a nondisruptive loopback on all ports, even those ports that are not in the shut state. The ports are formed into a snake during module bootup, and the supervisor checks the snake connectivity periodically.<br><br><b>Note</b> This test is deprecated in Cisco NX-OS Release 5.2. |
| FIPS <sup>3</sup>               | Not applicable   | Not applicable  | Runs on CTS-enabled ports when the interface is enabled with a <b>no shut</b> command. This internal test validates the security device on the module.                                                                                                                                         |
| <b>Supervisor</b>               |                  |                 |                                                                                                                                                                                                                                                                                                |
| ASICRegisterCheck               | 20 seconds       | active          | Checks read/write access to scratch registers for the ASICs on the supervisor.                                                                                                                                                                                                                 |
| NVRAM                           | 5 minutes        | active          | Verifies the sanity of the NVRAM blocks on a supervisor.                                                                                                                                                                                                                                       |
| RealTimeClock                   | 5 minutes        | active          | Verifies that the real-time clock on the supervisor is ticking.                                                                                                                                                                                                                                |
| PrimaryBootROM                  | 30 minutes       | active          | Verifies the integrity of the primary boot device on the supervisor.                                                                                                                                                                                                                           |
| SecondaryBootROM                | 30 minutes       | active          | Verifies the integrity of the secondary boot device on the supervisor.                                                                                                                                                                                                                         |
| CompactFlash                    | 30 minutes       | active          | Verifies access to the internal compact flash devices.                                                                                                                                                                                                                                         |
| ExternalCompactFlash            | 30 minutes       | active          | Verifies access to the external compact flash devices.                                                                                                                                                                                                                                         |
| PwrMgmtBus                      | 30 seconds       | active          | Verifies the standby power management control bus.                                                                                                                                                                                                                                             |
| SpineControlBus <sup>4</sup>    | 30 seconds       | active          | Verifies the availability of the standby spine module control bus.                                                                                                                                                                                                                             |
| SystemMgmtBus                   | 30 seconds       | active          | Verifies the availability of the standby system management bus.                                                                                                                                                                                                                                |
| StatusBus                       | 30 seconds       | active          | Verifies the status transmitted by the status bus for the supervisor, modules, and fabric cards.                                                                                                                                                                                               |

**Send document comments to [nexus7k-docfeedback@cisco.com](mailto:nexus7k-docfeedback@cisco.com).**

**Table 13-2 Health Monitoring Nondisruptive Diagnostics (continued)**

| Diagnostic            | Default Interval | Default Setting | Description                                                                             |
|-----------------------|------------------|-----------------|-----------------------------------------------------------------------------------------|
| StandbyFabricLoopback | 30 seconds       | active          | Verifies the connectivity of the standby supervisor to the crossbars on the spine card. |

1. The PortLoopback test is supported on all modules except the 48-port 1G copper Ethernet module.
2. Only F1 Series modules support the SnakeLoopback test.
3. F1 Series modules do not support the FIPS test.
4. Beginning with Cisco NX-OS Release 5.2, the SpineControlBus test is enabled by default on the standby supervisor.

## On-Demand Diagnostics

On-demand tests help localize faults and are usually needed in one of the following situations:

- To respond to an event that has occurred, such as isolating a fault.
- In anticipation of an event that may occur, such as a resource exceeding its utilization limit.

You can run all the health monitoring tests on demand.

You can schedule on-demand diagnostics to run immediately. See the [“Starting or Stopping an On-Demand Diagnostic Test” section on page 13-9](#) for more information.

You can also modify the default interval for a health monitoring test. See the [“Activating a Diagnostic Test” section on page 13-7](#) for more information.

## High Availability

A key part of high availability is detecting hardware failures and taking corrective action while the device runs in a live network. Online diagnostics in high availability detect hardware failures and provide feedback to high availability software components to make switchover decisions.

Cisco NX-OS supports stateless restarts for online diagnostics. After a reboot or supervisor switchover, Cisco NX-OS applies the running configuration.

## Virtualization Support

Cisco NX-OS supports online diagnostics in the default virtual device context (VDC). By default, Cisco NX-OS places you in the default VDC. See the *Cisco Nexus 7000 Series NX-OS Virtual Device Context Configuration Guide, Release 5.x* for more information.

Online diagnostics are virtual routing and forwarding (VRF) aware. You can configure online diagnostics to use a particular VRF to reach the online diagnostics SMTP server.

## Licensing Requirements for Online Diagnostics

| Product     | License Requirement                                                                                                                                                                                                                                                                        |
|-------------|--------------------------------------------------------------------------------------------------------------------------------------------------------------------------------------------------------------------------------------------------------------------------------------------|
| Cisco NX-OS | Online diagnostics require no license. Any feature not included in a license package is bundled with the Cisco NX-OS system images and is provided at no extra charge to you. For a complete explanation of the Cisco NX-OS licensing scheme, see the <i>Cisco NX-OS Licensing Guide</i> . |

[Send document comments to nexus7k-docfeedback@cisco.com.](mailto:nexus7k-docfeedback@cisco.com)

## Prerequisites for Online Diagnostics

Online diagnostics have the following prerequisite:

- If you configure VDCs, install the Advanced Services license and go to the VDC that you want to configure. For more information, see the *Cisco Nexus 7000 Series NX-OS Virtual Device Context Configuration Guide, Release 5.x*.

## Guidelines and Limitations

- You cannot run disruptive online diagnostic tests on demand.
- The F1 Series modules support only these tests: ASICRegisterCheck, PrimaryBootROM, SecondaryBootROM, EOBCPortLoopback, PortLoopback, BootupPortLoopback, and SnakeLoopback.
- Only F1 Series modules support the SnakeLoopback test.
- The SnakeLoopback test is deprecated in Cisco NX-OS Release 5.2.

## Default Settings

Table 13-3 lists the default settings for online diagnostic parameters.

**Table 13-3** Default Online Diagnostic Parameters

| Parameters               | Default  |
|--------------------------|----------|
| Bootup diagnostics level | complete |
| Nondisruptive tests      | active   |

## Configuring Online Diagnostics

This section includes the following topics:

- [Setting the Bootup Diagnostic Level, page 13-7](#)
- [Activating a Diagnostic Test, page 13-7](#)
- [Setting a Diagnostic Test as Inactive, page 13-9](#)
- [Starting or Stopping an On-Demand Diagnostic Test, page 13-9](#)
- [Clearing Diagnostic Results, page 13-10](#)
- [Simulating Diagnostic Results, page 13-11](#)



### Note

Be aware that the Cisco NX-OS commands for this feature may differ from those commands used in Cisco IOS.

***Send document comments to [nexus7k-docfeedback@cisco.com](mailto:nexus7k-docfeedback@cisco.com).***

## Setting the Bootup Diagnostic Level

You can configure the bootup diagnostics to run the complete set of tests, or you can bypass all bootup diagnostic tests for a faster module bootup time.



### Note

We recommend that you set the bootup online diagnostics level to **complete**. We do not recommend bypassing the bootup online diagnostics.

### BEFORE YOU BEGIN

Make sure that you are in the correct VDC. To change the VDC, use the **switchto vdc** command.

### SUMMARY STEPS

1. **config t**
2. **diagnostic bootup level {complete | bypass}**
3. (Optional) **show diagnostic bootup level**
4. (Optional) **copy running-config startup-config**

### DETAILED STEPS

|        | Command                                                                                                                                       | Purpose                                                                                                                                                                                                                                                                                      |
|--------|-----------------------------------------------------------------------------------------------------------------------------------------------|----------------------------------------------------------------------------------------------------------------------------------------------------------------------------------------------------------------------------------------------------------------------------------------------|
| Step 1 | <b>config t</b><br><br><b>Example:</b><br>switch# config t<br>Enter configuration commands, one per line. End with CNTL/Z.<br>switch(config)# | Places you in global configuration mode.                                                                                                                                                                                                                                                     |
| Step 2 | <b>diagnostic bootup level {complete   bypass}</b><br><br><b>Example:</b><br>switch(config)# diagnostic bootup level complete                 | Configures the bootup diagnostic level to trigger diagnostics as follows when the device boots: <ul style="list-style-type: none"> <li>• <b>complete</b>—Perform all bootup diagnostics. The default is complete.</li> <li>• <b>bypass</b>—Do not perform any bootup diagnostics.</li> </ul> |
| Step 3 | <b>show diagnostic bootup level</b><br><br><b>Example:</b><br>switch(config)# show diagnostic bootup level                                    | (Optional) Displays the bootup diagnostic level (bypass or complete) that is currently in place on the device.                                                                                                                                                                               |
| Step 4 | <b>copy running-config startup-config</b><br><br><b>Example:</b><br>switch(config)# copy running-config startup-config                        | (Optional) Copies the running configuration to the startup configuration.                                                                                                                                                                                                                    |

## Activating a Diagnostic Test

You can set a diagnostic test as active and optionally modify the interval (in hours, minutes, and seconds) at which the test runs.

***Send document comments to [nexus7k-docfeedback@cisco.com](mailto:nexus7k-docfeedback@cisco.com).***

## BEFORE YOU BEGIN

Make sure that you are in the correct VDC. To change the VDC, use the **switchto vdc** command.

## SUMMARY STEPS

1. **config t**
2. (Optional) **diagnostic monitor interval module slot test** [*test-id* | *name* | **all**] **hour** *hour* **min** *minutes* **second** *sec*
3. **diagnostic monitor module slot test** [*test-id* | *name* | **all**]
4. (Optional) **show diagnostic content module** {*slot* | **all**}

## DETAILED STEPS

|        | Command                                                                                                                                                                                                                                                                               | Purpose                                                                                                                                                                                                                                                                                                                                                                                                                                                                                                                                                                                           |
|--------|---------------------------------------------------------------------------------------------------------------------------------------------------------------------------------------------------------------------------------------------------------------------------------------|---------------------------------------------------------------------------------------------------------------------------------------------------------------------------------------------------------------------------------------------------------------------------------------------------------------------------------------------------------------------------------------------------------------------------------------------------------------------------------------------------------------------------------------------------------------------------------------------------|
| Step 1 | <b>config t</b><br><br><b>Example:</b><br>switch# config t<br>Enter configuration commands, one per line. End with CNTL/Z.<br>switch(config)#                                                                                                                                         | Places you in global configuration mode.                                                                                                                                                                                                                                                                                                                                                                                                                                                                                                                                                          |
| Step 2 | <b>diagnostic monitor interval module slot test</b> [ <i>test-id</i>   <i>name</i>   <b>all</b> ] <b>hour</b> <i>hour</i> <b>min</b> <i>minutes</i> <b>second</b> <i>sec</i><br><br><b>Example:</b><br>switch(config)# diagnostic monitor interval module 6 test 3 hour 1 min 0 sec 0 | (Optional) Configures the interval at which the specified test is run. If no interval is set, the test runs at the interval set previously, or the default interval.<br><br>The argument ranges are as follows: <ul style="list-style-type: none"> <li>• slot—The range is from 1 to 10.</li> <li>• test-id—The range is from 1 to 14.</li> <li>• name—Can be any case-sensitive alphanumeric string up to 32 characters.</li> <li>• hour —The range is from 0 to 23 hours.</li> <li>• minute—The range is from 0 to 59 minutes.</li> <li>• second —The range is from 0 to 59 seconds.</li> </ul> |
| Step 3 | <b>diagnostic monitor module slot test</b> [ <i>test-id</i>   <i>name</i>   <b>all</b> ]<br><br><b>Example:</b><br>switch(config)# diagnostic monitor interval module 6 test 3                                                                                                        | Activates the specified test.<br><br>The argument ranges are as follows: <ul style="list-style-type: none"> <li>• slot—The range is from 1 to 10.</li> <li>• test-id—The range is from 1 to 14.</li> <li>• name—Can be any case-sensitive alphanumeric string up to 32 characters.</li> </ul>                                                                                                                                                                                                                                                                                                     |
| Step 4 | <b>show diagnostic content module</b> { <i>slot</i>   <b>all</b> }<br><br><b>Example:</b><br>switch(config)# show diagnostic content module 6                                                                                                                                         | (Optional) Displays information about the diagnostics and their attributes.                                                                                                                                                                                                                                                                                                                                                                                                                                                                                                                       |



***Send document comments to [nexus7k-docfeedback@cisco.com](mailto:nexus7k-docfeedback@cisco.com).***

## Setting a Diagnostic Test as Inactive

You can set a diagnostic test as inactive. Inactive tests keep their current configuration but do not run at the scheduled interval.

Use the following command in global configuration mode to set a diagnostic test as inactive:

| Command                                                                                                                                                                                         | Purpose                                                                                                                                                                                                                                                                                                                     |
|-------------------------------------------------------------------------------------------------------------------------------------------------------------------------------------------------|-----------------------------------------------------------------------------------------------------------------------------------------------------------------------------------------------------------------------------------------------------------------------------------------------------------------------------|
| <pre><b>no diagnostic monitor module slot test</b> [<i>test-id</i>   <i>name</i>   <b>all</b>]</pre> <p><b>Example:</b><br/> switch(config)# no diagnostic monitor interval module 6 test 3</p> | <p>Inactivates the specified test.</p> <p>The argument ranges are as follows:</p> <ul style="list-style-type: none"> <li>• <i>slot</i>—The range is from 1 to 10.</li> <li>• <i>test-id</i>—The range is from 1 to 14.</li> <li>• <i>name</i>—Can be any case-sensitive alphanumeric string up to 32 characters.</li> </ul> |

## Starting or Stopping an On-Demand Diagnostic Test

You can start or stop an on-demand diagnostic test. You can optionally modify the number of iterations to repeat this test, and the action to take if the test fails.

We recommend that you only manually start a disruptive diagnostic test during a scheduled network maintenance time.

### BEFORE YOU BEGIN

Make sure that you are in the correct VDC. To change the VDC, use the **switchto vdc** command.

### SUMMARY STEPS

1. (Optional) **diagnostic ondemand iteration** *number*
2. (Optional) **diagnostic ondemand action-on-failure** { **continue failure-count** *num-fails* | **stop** }
3. **diagnostic start module** *slot test* [*test-id* | *name* | **all** | **non-disruptive**] [**port** *port-number* | **all**]
4. **diagnostic stop module** *slot test* [*test-id* | *name* | **all**]
5. (Optional) **show diagnostic status module** *slot*

**Send document comments to [nexus7k-docfeedback@cisco.com](mailto:nexus7k-docfeedback@cisco.com).**

## DETAILED STEPS

|        | Command                                                                                                                                                                                                          | Purpose                                                                                                                                                                                                                                            |
|--------|------------------------------------------------------------------------------------------------------------------------------------------------------------------------------------------------------------------|----------------------------------------------------------------------------------------------------------------------------------------------------------------------------------------------------------------------------------------------------|
| Step 1 | <code>diagnostic ondemand iteration <i>number</i></code><br><br><b>Example:</b><br>switch# diagnostic ondemand iteration 5                                                                                       | (Optional) Configures the number of times that the on-demand test runs. The range is from 1 to 999. The default is 1.                                                                                                                              |
| Step 2 | <code>diagnostic ondemand action-on-failure {continue failure-count <i>num-fails</i>   stop}</code><br><br><b>Example:</b><br>switch# diagnostic ondemand action-on-failure stop                                 | (Optional) Configures the action to take if the on-demand test fails. The <i>num-fails</i> range is from 1 to 999. The default is 1.                                                                                                               |
| Step 3 | <code>diagnostic start module <i>slot</i> test [<i>test-id</i>   <i>name</i>   all   non-disruptive] [port <i>port-number</i>   all]</code><br><br><b>Example:</b><br>switch# diagnostic start module 6 test all | Starts one or more diagnostic tests on a module. The module slot range is from 1 to 10. The <i>test-id</i> range is from 1 to 14. The test name can be any case-sensitive alphanumeric string up to 32 characters. The port range is from 1 to 48. |
| Step 4 | <code>diagnostic stop module <i>slot</i> test [<i>test-id</i>   <i>name</i>   all]</code><br><br><b>Example:</b><br>switch# diagnostic stop module 6 test all                                                    | Stops one or more diagnostic tests on a module. The module slot range is from 1 to 10. The <i>test-id</i> range is from 1 to 14. The test name can be any case-sensitive alphanumeric string up to 32 characters.                                  |
| Step 5 | <code>show diagnostic status module <i>slot</i></code><br><br><b>Example:</b><br>switch# show diagnostic status module 6                                                                                         | (Optional) Verifies that the diagnostic has been scheduled.                                                                                                                                                                                        |

## Clearing Diagnostic Results

You can clear diagnostic test results.

Use the following command in any mode to clear the diagnostic test results:

| Command                                                                                                                                                                 | Purpose                                                                                                                                                                                                                           |
|-------------------------------------------------------------------------------------------------------------------------------------------------------------------------|-----------------------------------------------------------------------------------------------------------------------------------------------------------------------------------------------------------------------------------|
| <code>diagnostic clear result module [<i>slot</i>   all] test {<i>test-id</i>   all}</code><br><br><b>Example:</b><br>switch# diagnostic clear result module 2 test all | Clears the test result for the specified test.<br>The argument ranges are as follows: <ul style="list-style-type: none"> <li><i>slot</i>—The range is from 1 to 10.</li> <li><i>test-id</i>—The range is from 1 to 14.</li> </ul> |

***Send document comments to [nexus7k-docfeedback@cisco.com](mailto:nexus7k-docfeedback@cisco.com).***

## Simulating Diagnostic Results

You can simulate a diagnostic test result.

Use the following command in any mode to simulate a diagnostic test result:

| Command                                                                                                                           | Purpose                                                                                            |
|-----------------------------------------------------------------------------------------------------------------------------------|----------------------------------------------------------------------------------------------------|
| <b>diagnostic test simulation module slot test</b><br><i>test-id</i> {fail   random-fail   success}<br>[port <i>number</i>   all] | Simulates a test result. The <i>test-id</i> range is from 1 to 14. The port range is from 1 to 48. |
| <b>Example:</b><br>switch# diagnostic test simulation module 2<br>test 2 fail                                                     |                                                                                                    |

Use the following command in any mode to clear the simulated diagnostic test result:

| Command                                                                        | Purpose                                                                     |
|--------------------------------------------------------------------------------|-----------------------------------------------------------------------------|
| <b>diagnostic test simulation module slot test</b><br><i>test-id</i> clear     | Clears the simulated test result. The <i>test-id</i> range is from 1 to 14. |
| <b>Example:</b><br>switch# diagnostic test simulation module 2<br>test 2 clear |                                                                             |

## Verifying the Online Diagnostics Configuration

To display online diagnostics configuration information, perform one of the following tasks:

| Command                                                                                       | Purpose                                                          |
|-----------------------------------------------------------------------------------------------|------------------------------------------------------------------|
| <b>show diagnostic bootup level</b>                                                           | Displays information about bootup diagnostics.                   |
| <b>show diagnostic content module</b> { <i>slot</i>   all}                                    | Displays information about diagnostic test content for a module. |
| <b>show diagnostic description module</b> <i>slot</i> test<br>[ <i>test-name</i>   all]       | Displays the diagnostic description.                             |
| <b>show diagnostic events</b> [error   info]                                                  | Displays diagnostic events by error and information event type.  |
| <b>show diagnostic ondemand setting</b>                                                       | Displays information about on-demand diagnostics.                |
| <b>show diagnostic result module</b> <i>slot</i> [test<br>[ <i>test-name</i>   all]] [detail] | Displays information about the results of a diagnostic.          |
| <b>show diagnostic simulation module</b> <i>slot</i>                                          | Displays information about a simulated diagnostic.               |
| <b>show diagnostic status module</b> <i>slot</i>                                              | Displays the test status for all tests on a module.              |

**[Send document comments to nexus7k-docfeedback@cisco.com.](mailto:nexus7k-docfeedback@cisco.com)**

| Command                                                                                                   | Purpose                                                                                              |
|-----------------------------------------------------------------------------------------------------------|------------------------------------------------------------------------------------------------------|
| <code>show hardware capacity [eobc   fabric-utilization   forwarding   interface   module   power]</code> | Displays information about the hardware capabilities and current hardware utilization by the system. |
| <code>show module</code>                                                                                  | Displays module information including the online diagnostic test status.                             |

## Configuration Examples for Online Diagnostics

This example shows how to start all on-demand tests on module 6:

```
diagnostic start module 6 test all
```

This example shows how to activate test 2 and set the test interval on module 6:

```
conf t
diagnostic monitor module 6 test 2
diagnostic monitor interval module 6 test 2 hour 3 min 30 sec 0
```

## Additional References

For additional information related to implementing online diagnostics, see the following sections:

- [Related Documents, page 13-12](#)
- [Standards, page 13-12](#)

## Related Documents

| Related Topic                   | Document Title                                                                               |
|---------------------------------|----------------------------------------------------------------------------------------------|
| Online diagnostics CLI commands | <i>Cisco Nexus 7000 Series NX-OS System Management Command Reference</i>                     |
| VDCs and VRFs                   | <i>Cisco Nexus 7000 Series NX-OS Virtual Device Context Configuration Guide, Release 5.x</i> |

## Standards

| Standards                                                                                                                             | Title |
|---------------------------------------------------------------------------------------------------------------------------------------|-------|
| No new or modified standards are supported by this feature, and support for existing standards has not been modified by this feature. | —     |

***Send document comments to [nexus7k-docfeedback@cisco.com](mailto:nexus7k-docfeedback@cisco.com).***

## Feature History for Online Diagnostics

Table 13-4 lists the release history for this feature.

**Table 13-4** Feature History for Online Diagnostics

| Feature Name              | Releases | Feature Information                                                             |
|---------------------------|----------|---------------------------------------------------------------------------------|
| Online diagnostics (GOLD) | 5.2(1)   | Enabled the SpineControlBus test on the standby supervisor.                     |
| Online diagnostics (GOLD) | 5.2(1)   | Deprecated the SnakeLoopback test on F1 Series modules.                         |
| Online diagnostics (GOLD) | 5.1(2)   | Added support for the SnakeLoopback test on F1 Series modules.                  |
| Online diagnostics (GOLD) | 5.1(1)   | Added support for the FIPS and BootupPortLoopback tests.                        |
| Online diagnostics (GOLD) | 5.0(2)   | No change from Release 4.2.                                                     |
| Online diagnostics (GOLD) | 4.2(1)   | Added support for the PortLoopback, StatusBus, and StandbyFabricLoopback tests. |
| Online diagnostics (GOLD) | 4.0(1)   | This feature was introduced.                                                    |

***Send document comments to [nexus7k-docfeedback@cisco.com](mailto:nexus7k-docfeedback@cisco.com).***



## CHAPTER 14

# Configuring the Embedded Event Manager

---

This chapter describes how to configure the Embedded Event Manager (EEM) to detect and handle critical events on Cisco NX-OS devices.

This chapter includes the following sections:

- [Information About EEM, page 14-1](#)
- [Licensing Requirements for EEM, page 14-6](#)
- [Prerequisites for EEM, page 14-6](#)
- [Guidelines and Limitations, page 14-6](#)
- [Default Settings, page 14-7](#)
- [Configuring EEM, page 14-7](#)
- [Verifying the EEM Configuration, page 14-20](#)
- [Configuration Examples for EEM, page 14-21](#)
- [Additional References, page 14-22](#)
- [Feature History for EEM, page 14-22](#)

## Information About EEM

EEM monitors events that occur on your device and takes action to recover or troubleshoot these events, based on your configuration.

This section includes the following topics:

- [EEM Overview, page 14-2](#)
- [Policies, page 14-2](#)
- [Event Statements, page 14-3](#)
- [Action Statements, page 14-4](#)
- [VSH Script Policies, page 14-4](#)
- [Environment Variables, page 14-5](#)
- [EEM Event Correlation, page 14-5](#)
- [High Availability, page 14-5](#)
- [Virtualization Support, page 14-5](#)

**[Send document comments to nexus7k-docfeedback@cisco.com.](mailto:nexus7k-docfeedback@cisco.com)**

## EEM Overview

EEM consists of three major components:

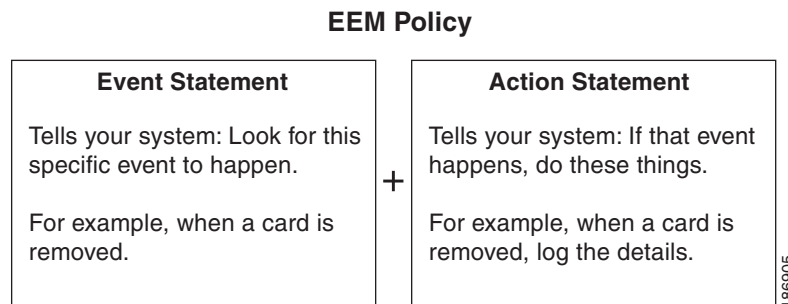
- Event statements—Events to monitor from another Cisco NX-OS component that may require some action, workaround, or notification.
- Action statements —An action that EEM can take, such as sending an e-mail, or disabling an interface, to recover from an event.
- Policies—An event paired with one or more actions to troubleshoot or recover from the event.

## Policies

An EEM policy consists of an event statement and one or more action statements. The event statement defines the event to look for as well as the filtering characteristics for the event. The action statement defines the action EEM takes when the event occurs.

Figure 14-1 shows the two basic statements in an EEM policy.

**Figure 14-1 EEM Policy Statements**



You can configure EEM policies using the CLI or a VSH script.

EEM gives you a device-wide view of policy management. You configure EEM policies on the supervisor, and EEM pushes the policy to the correct module based on the event type. EEM takes any actions for a triggered event either locally on the module or on the supervisor (the default option).

EEM maintains event logs on the supervisor.

Cisco NX-OS has a number of preconfigured system policies. These system policies define many common events and actions for the device. System policy names begin with two underscore characters (\_\_\_).

You can create user policies to suit your network. If you create a user policy, any actions in your policy occur after EEM triggers any system policy actions related to the same event as your policy. To configure a user policy, see the [“Defining a User Policy Using the CLI”](#) section on page 14-8.

You can also override some system policies. The overrides that you configure take the place of the system policy. You can override the event or the actions.

Use the **show event manager system-policy** command to view the preconfigured system policies and determine which policies that you can override.

To configure an overriding policy, see the [“Overriding a Policy”](#) section on page 14-15.



**Send document comments to [nexus7k-docfeedback@cisco.com](mailto:nexus7k-docfeedback@cisco.com).**

**Note**

You should use the **show running-config eem** command to check the configuration of each policy. An override policy that consists of an event statement and no action statement triggers no action and no notification of failures.

**Note**

Your override policy should always include an event statement. An override policy without an event statement overrides all possible events in the system policy.

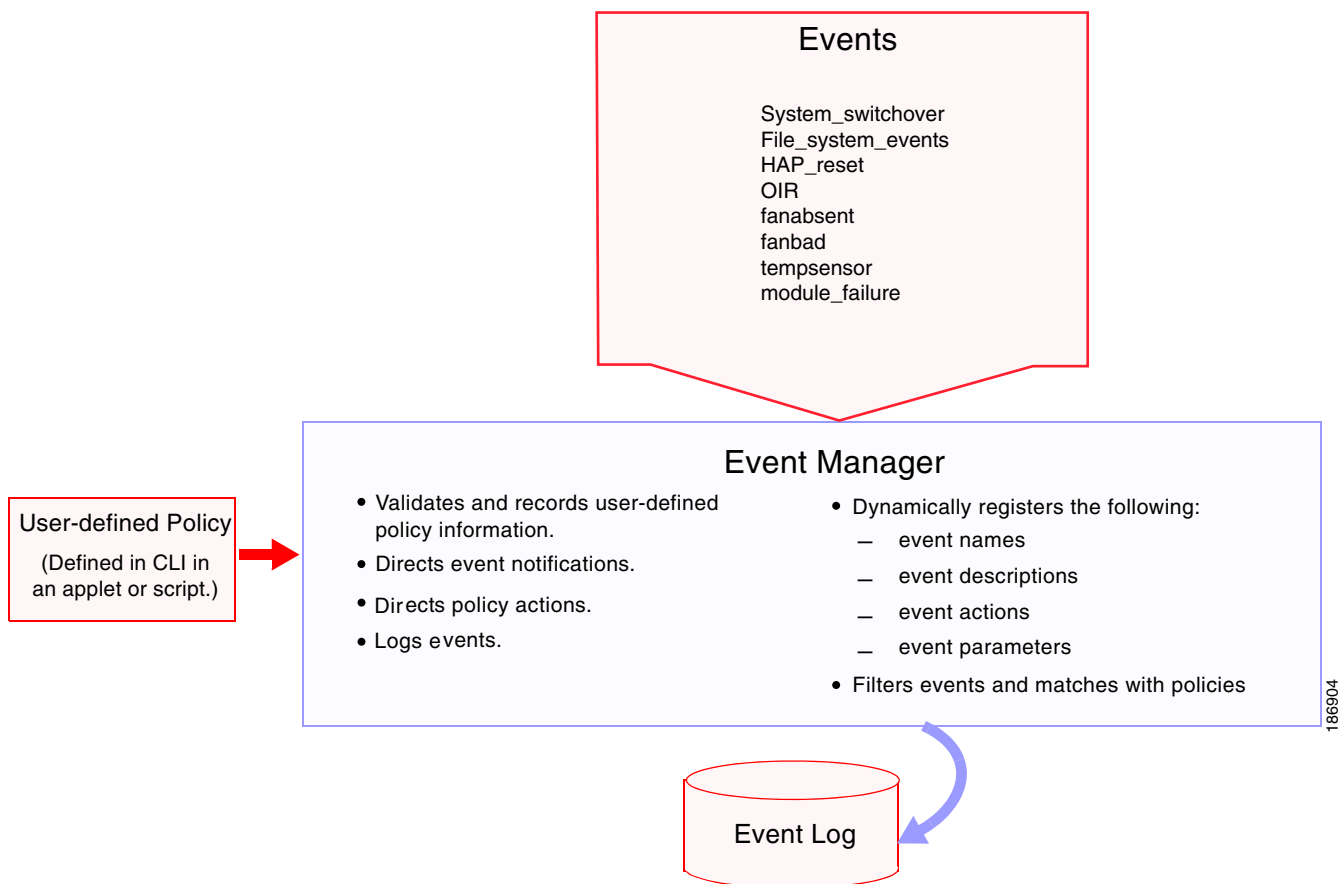
## Event Statements

An event is any device activity for which some action, such as a workaround or a notification, should be taken. In many cases, these events are related to faults in the device such as when an interface or a fan malfunctions.

EEM defines event filters so only critical events or multiple occurrences of an event within a specified time period trigger an associated action.

Figure 14-2 shows events that are handled by EEM.

**Figure 14-2** EEM Overview



## ***Send document comments to [nexus7k-docfeedback@cisco.com](mailto:nexus7k-docfeedback@cisco.com).***

Event statements specify the event that triggers a policy to run. In Cisco NX-OS Releases prior to 5.2, you can configure only one event statement per policy. However, beginning in Cisco NX-OS Release 5.2, you can configure multiple event triggers. For more information on configuring multiple events, see the [“EEM Event Correlation” section on page 14-5](#).

EEM schedules and runs policies on the basis of event statements. EEM examines the event and action commands and runs them as defined.

**Note**

---

If you want to allow the triggered event to process any default actions, you must configure the EEM policy to allow the event default action statement.

---

## Action Statements

Action statements describe the action triggered by a policy. Each policy can have multiple action statements. If no action is associated with a policy, EEM still observes events but takes no actions.

EEM supports the following actions in action statements:

- Execute any CLI commands.
- Update a counter.
- Log an exception.
- Force the shutdown of any module.
- Reload the device.
- Shut down specified modules because the power is over budget.
- Generate a syslog message.
- Generate a Call Home event.
- Generate an SNMP notification.
- Use the default action for the system policy.

**Note**

---

If you want to allow the triggered event to process any default actions, you must configure the EEM policy to allow the default action. For example, if you match a CLI command in a match statement, you must add the event-default action statement to the EEM policy or EEM will not allow the CLI command to execute.

---

**Note**

---

Verify that your action statements within your user policy or overriding policy do not negate each other or adversely affect the associated system policy.

---

## VSH Script Policies

You can also write policies in a VSH script, using a text editor. These policies have an event statement and action statement(s) just as other policies, and these policies can either augment or override system policies. After you write your VSH script policy, copy it to the device and activate it. To configure a policy in a VSH script, see the [“Defining a Policy using a VSH Script” section on page 14-14](#).

***Send document comments to [nexus7k-docfeedback@cisco.com](mailto:nexus7k-docfeedback@cisco.com).***

## Environment Variables

You can define environment variables for EEM that are available for all policies. Environment variables are useful for configuring common values that you can use in multiple policies. For example, you can create an environment variable for the IP address of an external e-mail server.

You can use an environment variable in action statements by using the parameter substitution format.

[Example 14-1](#) shows a sample action statement to force a module 1 shutdown, with a reset reason of “EEM action.”

### **Example 14-1 Action Statement**

```
switch (config-eem-policy)# action 1.0 forceshut module 1 reset-reason "EEM action."
```

If you define an environment variable for the shutdown reason, called default-reason, you can replace that reset reason with the environment variable, as shown in [Example 14-2](#).

### **Example 14-2 Action Statement with Environment Variable**

```
switch (config-eem-policy)# action 1.0 foreshut module 1 reset-reason $default-reason
```

You can reuse this environment variable in any policy. For more information on environment variables, see the “[Defining an Environment Variable](#)” section on page 14-7.

## EEM Event Correlation

Beginning with Cisco NX-OS Release 5.2, you can trigger an EEM policy based on a combination of events. First, you use the **tag** keyword to create and differentiate multiple events in the EEM policy. Then using a set of boolean operators (**and**, **or**, **andnot**), along with the count and time, you can define a combination of these events to trigger a custom action.



### **Note**

For information on configuring EEM event correlation, see the “[Defining a User Policy Using the CLI](#)” section on page 14-8.

## High Availability

Cisco NX-OS supports stateless restarts for EEM. After a reboot or supervisor switchover, Cisco NX-OS applies the running configuration.

## Virtualization Support

You configure EEM in the virtual device context (VDC) that you are logged into. By default, Cisco NX-OS places you in the default VDC. You must be in this VDC to configure policies for module-based events.

Not all actions or events are visible in all VDCs. You must have network-admin or vdc-admin privileges to configure policies.

See the *Cisco Nexus 7000 Series NX-OS Virtual Device Context Configuration Guide, Release 5.x*, for more information on VDCs.

[Send document comments to nexus7k-docfeedback@cisco.com.](mailto:nexus7k-docfeedback@cisco.com)

## Licensing Requirements for EEM

| Product     | License Requirement                                                                                                                                                                                                                                                          |
|-------------|------------------------------------------------------------------------------------------------------------------------------------------------------------------------------------------------------------------------------------------------------------------------------|
| Cisco NX-OS | EEM requires no license. Any feature not included in a license package is bundled with the Cisco NX-OS system images and is provided at no extra charge to you. For a complete explanation of the Cisco NX-OS licensing scheme, see the <i>Cisco NX-OS Licensing Guide</i> . |

## Prerequisites for EEM

EEM has the following prerequisites:

- You must have network-admin or vdc-admin user privileges to configure EEM.

## Guidelines and Limitations

EEM has the following configuration guidelines and limitations:

- The maximum number of configurable EEM policies is 500.
- Action statements within your user policy or overriding policy should not negate each other or adversely affect the associated system policy.
- If you want to allow a triggered event to process any default actions, you must configure the EEM policy to allow the default action. For example, if you match a CLI command in a match statement, you must add the event-default action statement to the EEM policy or EEM will not allow the CLI command to execute.
- An override policy that consists of an event statement and no action statement triggers no action and no notification of failures.
- An override policy without an event statement overrides all possible events in the system policy.
- The following rules apply to regular command expressions: all keywords must be expanded, and only the \* symbol can be used for argument replacement.
- EEM event correlation is supported only on the supervisor module, not on individual line cards.
- EEM event correlation is not supported across different modules within a single policy.
- EEM event correlation supports up to four event statements in a single policy. The event types can be the same or different, but only these event types are supported: cli, counter, module, module-failure, oir, snmp, syslog, and track.
- When more than one event statement is included in an EEM policy, each event statement must have a **tag** keyword with a unique *tag* argument.
- EEM event correlation does not override the system default policies.
- Default action execution is not supported for policies that are configured with tagged events.

***Send document comments to [nexus7k-docfeedback@cisco.com](mailto:nexus7k-docfeedback@cisco.com).***

## Default Settings

Table 14-1 lists the default settings for EEM parameters.

**Table 14-1**      **Default EEM Parameters**

| Parameters      | Default |
|-----------------|---------|
| System policies | Active  |

## Configuring EEM

You can create policies that contain actions to take based on system policies. To display information about the system policies, use the **show event manager system-policy** command. For more information about system policies, see the “[Embedded Event Manager System Events and Configuration Examples](#)” appendix.

This section includes the following topics:

- [Defining an Environment Variable, page 14-7](#)
- [Defining a User Policy Using the CLI, page 14-8](#)
- [Defining a Policy using a VSH Script, page 14-14](#)
- [Registering and Activating a VSH Script Policy, page 14-15](#)
- [Overriding a Policy, page 14-15](#)
- [Configuring Memory Thresholds, page 14-17](#)
- [Configuring Syslog as EEM Publisher, page 14-19](#)

## Defining an Environment Variable

You can define a variable to serve as a parameter in an EEM policy.

### BEFORE YOU BEGIN

Make sure that you are in the correct VDC. To change the VDC, use the **switchto vdc** command.

### SUMMARY STEPS

1. **config t**
2. **event manager environment** *variable-name variable-value*
3. (Optional) **show event manager environment** {*variable-name* | **all**}
4. (Optional) **copy running-config startup-config**

**Send document comments to [nexus7k-docfeedback@cisco.com](mailto:nexus7k-docfeedback@cisco.com).**

## DETAILED STEPS

|        | Command                                                                                                                                                                            | Purpose                                                                                                                                                                                                                   |
|--------|------------------------------------------------------------------------------------------------------------------------------------------------------------------------------------|---------------------------------------------------------------------------------------------------------------------------------------------------------------------------------------------------------------------------|
| Step 1 | <b>config t</b><br><br><b>Example:</b><br>switch# config t<br>Enter configuration commands, one per line. End with CNTL/Z.<br>switch(config)#                                      | Places you in global configuration mode.                                                                                                                                                                                  |
| Step 2 | <b>event manager environment</b> <i>variable-name</i><br><i>variable-value</i><br><br><b>Example:</b><br>switch(config)# event manager<br>environment emailto "admin@anyplace.com" | Creates an environment variable for EEM. The <i>variable-name</i> can be any case-sensitive alphanumeric string up to 29 characters. The <i>variable-value</i> can be any quoted alphanumeric string up to 39 characters, |
| Step 3 | <b>show event manager environment</b><br><i>{variable-name   all}</i><br><br><b>Example:</b><br>switch(config)# show event manager<br>environment all                              | (Optional) Displays information about the configured environment variables.                                                                                                                                               |
| Step 4 | <b>copy running-config startup-config</b><br><br><b>Example:</b><br>switch(config)# copy running-config<br>startup-config                                                          | (Optional) Saves this configuration change.                                                                                                                                                                               |

## Defining a User Policy Using the CLI

You can define a user policy using the CLI to the device.

This section includes the following topics:

- [Configuring Event Statements, page 14-10](#)
- [Configuring Action Statements, page 14-13](#)

## BEFORE YOU BEGIN

Make sure that you are in the correct VDC. To change the VDC, use the **switchto vdc** command.

## SUMMARY STEPS

1. **config t**
2. **event manager applet** *applet-name*
3. (Optional) **description** *policy-description*
4. **event** *event-statement*  
(Repeat Step 4 for multiple event statements.)
5. (Optional) **tag** *tag* **{and | andnot | or}** *tag* **[and | andnot | or {tag}]** **{happens occurs in seconds}**
6. **action** *number* **[.number2]** *action-statement*  
(Repeat Step 6 for multiple action statements.)

**Send document comments to [nexus7k-docfeedback@cisco.com](mailto:nexus7k-docfeedback@cisco.com).**

7. (Optional) **show event manager policy-state** *name* [**module** *module-id*]
8. (Optional) **copy running-config startup-config**

## DETAILED STEPS

|        | Command                                                                                                                                                                                                                                                             | Purpose                                                                                                                                                                                              |
|--------|---------------------------------------------------------------------------------------------------------------------------------------------------------------------------------------------------------------------------------------------------------------------|------------------------------------------------------------------------------------------------------------------------------------------------------------------------------------------------------|
| Step 1 | <b>config t</b><br><br><b>Example:</b><br>switch# config t<br>Enter configuration commands, one per line. End with CNTL/Z.<br>switch(config)#                                                                                                                       | Places you in global configuration mode.                                                                                                                                                             |
| Step 2 | <b>event manager applet</b> <i>applet-name</i><br><br><b>Example:</b><br>switch(config)# event manager applet monitorShutdown<br>switch(config-applet)#                                                                                                             | Registers the applet with EEM and enters applet configuration mode. The <i>applet-name</i> can be any case-sensitive alphanumeric string up to 29 characters.                                        |
| Step 3 | <b>description</b> <i>policy-description</i><br><br><b>Example:</b><br>switch(config-applet)# description "Monitors interface shutdown."                                                                                                                            | (Optional) Configures a descriptive string for the policy. The string can be any alphanumeric string up to 80 characters. Enclose the string in quotation marks.                                     |
| Step 4 | <b>event</b> <i>event-statement</i><br><br><b>Example:</b><br>switch(config-applet)# event cli match "shutdown"                                                                                                                                                     | Configures the event statement for the policy. See the <a href="#">"Configuring Event Statements" section on page 14-10</a> .<br>Repeat Step 4 for multiple event statements.                        |
| Step 5 | <b>tag</b> <i>tag</i> { <b>and</b>   <b>andnot</b>   <b>or</b> } <i>tag</i> [ <b>and</b>   <b>andnot</b>   <b>or</b> { <i>tag</i> }] { <b>happens occurs in</b> <i>seconds</i> }<br><br><b>Example:</b><br>switch(config-applet)# tag one or two happens 1 in 10000 | (Optional) Correlates multiple events in the policy.<br>The range for the <i>occurs</i> argument is from 1 to 4294967295. The range for the <i>seconds</i> argument is from 0 to 4294967295 seconds. |
| Step 6 | <b>action</b> <i>number</i> [. <i>number2</i> ] <i>action-statement</i><br><br><b>Example:</b><br>switch(config-applet)# action 1.0 cli show interface e 3/1                                                                                                        | Configures an action statement for the policy. See the <a href="#">"Configuring Action Statements" section on page 14-13</a> .<br>Repeat Step 6 for multiple action statements.                      |
| Step 7 | <b>show event manager policy-state</b> <i>name</i> [ <b>module</b> <i>module-id</i> ]<br><br><b>Example:</b><br>switch(config-applet)# show event manager policy-state monitorShutdown                                                                              | (Optional) Displays information about the status of the configured policy.                                                                                                                           |
| Step 8 | <b>copy running-config startup-config</b><br><br><b>Example:</b><br>switch(config)# copy running-config startup-config                                                                                                                                              | (Optional) Saves this configuration change.                                                                                                                                                          |

**Send document comments to [nexus7k-docfeedback@cisco.com](mailto:nexus7k-docfeedback@cisco.com).**

## Configuring Event Statements

Use one of the following commands in EEM configuration mode to configure an event statement:

| Command                                                                                                                                                                                                                                                                                                                             | Purpose                                                                                                                                                                                                                                                                                                                                                                                                                                                                                                                                  |
|-------------------------------------------------------------------------------------------------------------------------------------------------------------------------------------------------------------------------------------------------------------------------------------------------------------------------------------|------------------------------------------------------------------------------------------------------------------------------------------------------------------------------------------------------------------------------------------------------------------------------------------------------------------------------------------------------------------------------------------------------------------------------------------------------------------------------------------------------------------------------------------|
| <pre>event cli [tag tag] match expression [count repeats   time seconds]</pre> <p><b>Example:</b><br/>switch(config-applet)# event cli match<br/>"shutdown"</p>                                                                                                                                                                     | <p>Triggers an event if you enter a command that matches the regular expression.</p> <p>The <b>tag tag</b> keyword-argument pair identifies this specific event when multiple events are included in the policy.</p> <p>The <i>repeats</i> range is from 1 to 65000. The time range, in seconds, is from 0 to 4294967295, where 0 indicates no time limit.</p>                                                                                                                                                                           |
| <pre>event counter [tag tag] name counter entry-val entry entry-op {eq   ge   gt   le   lt   ne} [exit-val exit exit-op {eq   ge   gt   le   lt   ne}]</pre> <p><b>Example:</b><br/>switch(config-applet)# event counter name<br/>mycounter entry-val 20 gt</p>                                                                     | <p>Triggers an event if the counter crosses the entry threshold based on the entry operation. The event resets immediately. Optionally, you can configure the event to reset after the counter passes the exit threshold.</p> <p>The <b>tag tag</b> keyword-argument pair identifies this specific event when multiple events are included in the policy.</p> <p>The <i>counter</i> name can be any case-sensitive, alphanumeric string up to 28 characters. The <i>entry</i> and <i>exit</i> value ranges are from 0 to 2147483647.</p> |
| <pre>event fanabsent [fan number] time seconds</pre> <p><b>Example:</b><br/>switch(config-applet)# event fanabsent time<br/>300</p>                                                                                                                                                                                                 | <p>Triggers an event if a fan is removed from the device for more than the configured time, in seconds. The <i>number</i> range is module dependent. The <i>seconds</i> range is from 10 to 64000.</p>                                                                                                                                                                                                                                                                                                                                   |
| <pre>event fanbad [fan number] time seconds</pre> <p><b>Example:</b><br/>switch(config-applet)# event fanbad time<br/>3000</p>                                                                                                                                                                                                      | <p>Triggers an event if a fan fails for more than the configured time, in seconds. The <i>number</i> range is module dependent. The <i>seconds</i> range is from 10 to 64000.</p>                                                                                                                                                                                                                                                                                                                                                        |
| <pre>event gold module {slot   all} test test-name [severity {major   minor   moderate}] testing-type {bootup   monitoring   ondemand   scheduled} consecutive-failure count</pre> <p><b>Example:</b><br/>switch(config-applet)# event gold module 2<br/>test ASICRegisterCheck testing-type<br/>ondemand consecutive-failure 2</p> | <p>Triggers an event if the named online diagnostic test experiences the configured failure severity for the configured number of consecutive failures. The <i>slot</i> range is from 1 to 10. The <i>test-name</i> is the name of a configured online diagnostic test. The <i>count</i> range is from 1 to 1000.</p>                                                                                                                                                                                                                    |
| <pre>event memory {critical   minor   severe}</pre> <p><b>Example:</b><br/>switch(config-applet)# event memory<br/>critical</p>                                                                                                                                                                                                     | <p>Triggers an event if a memory threshold is crossed. See also the <a href="#">“Configuring Memory Thresholds”</a> section on page 14-17.</p>                                                                                                                                                                                                                                                                                                                                                                                           |



**Send document comments to [nexus7k-docfeedback@cisco.com](mailto:nexus7k-docfeedback@cisco.com).**

| Command                                                                                                                                                                                                                 | Purpose                                                                                                                                                                                                                                                                                                                                                                                                                                                                                                                                                                          |
|-------------------------------------------------------------------------------------------------------------------------------------------------------------------------------------------------------------------------|----------------------------------------------------------------------------------------------------------------------------------------------------------------------------------------------------------------------------------------------------------------------------------------------------------------------------------------------------------------------------------------------------------------------------------------------------------------------------------------------------------------------------------------------------------------------------------|
| <pre>event module [tag tag] status {online   offline   any} module {all   module-num}</pre> <p><b>Example:</b><br/>switch(config-applet)# event module status<br/>offline module all</p>                                | <p>Triggers an event if the specified module enters the selected status.</p> <p>The <b>tag tag</b> keyword-argument pair identifies this specific event when multiple events are included in the policy.</p>                                                                                                                                                                                                                                                                                                                                                                     |
| <pre>event module-failure [tag tag] type failure-type module {slot   all} count repeats [time seconds]</pre> <p><b>Example:</b><br/>switch(config-applet)# event module-failure<br/>type lc-failed module 3 count 1</p> | <p>Triggers an event if a module experiences the failure type configured. See the <i>Cisco Nexus 7000 Series NX-OS System Management Command Reference</i> for information on the failure types.</p> <p>The <b>tag tag</b> keyword-argument pair identifies this specific event when multiple events are included in the policy.</p> <p>The <i>repeats</i> range is from 0 to 4294967295. The <i>seconds</i> range is from 0 to 4294967295, where 0 indicates no time limit.</p>                                                                                                 |
| <pre>event oir [tag tag] {fan   module   powersupply} {anyoir   insert   remove} [number]</pre> <p><b>Example:</b><br/>switch(config-applet)# event oir fan remove<br/>4</p>                                            | <p>Triggers an event if the configured device element (fan, module, or power supply) is inserted or removed from the device.</p> <p>The <b>tag tag</b> keyword-argument pair identifies this specific event when multiple events are included in the policy.</p> <p>You can optionally configure a specific fan, module, or power supply number. The <i>number</i> range is as follows:</p> <ul style="list-style-type: none"> <li>• Fan number—Module dependent.</li> <li>• Module number—Device dependent.</li> <li>• Power supply number—The range is from 1 to 3.</li> </ul> |
| <pre>event policy-default count repeats [time seconds]</pre> <p><b>Example:</b><br/>switch(config-applet)# event policy-default<br/>count 3</p>                                                                         | <p>Uses the event configured in the system policy. Use this option for overriding policies.</p> <p>The <i>repeats</i> range is from 1 to 65000. The <i>seconds</i> range is from 0 to 4294967295, where 0 indicates no time limit.</p>                                                                                                                                                                                                                                                                                                                                           |
| <pre>event poweroverbudget</pre> <p><b>Example:</b><br/>switch(config-applet)# event<br/>poweroverbudget</p>                                                                                                            | <p>Triggers an event if the power budget exceeds the capacity of the configured power supplies.</p>                                                                                                                                                                                                                                                                                                                                                                                                                                                                              |

**Send document comments to [nexus7k-docfeedback@cisco.com](mailto:nexus7k-docfeedback@cisco.com).**

| Command                                                                                                                                                                                                                                                                                                                                                                                                                              | Purpose                                                                                                                                                                                                                                                                                                                                                                                                                                                                                                                                                                                            |
|--------------------------------------------------------------------------------------------------------------------------------------------------------------------------------------------------------------------------------------------------------------------------------------------------------------------------------------------------------------------------------------------------------------------------------------|----------------------------------------------------------------------------------------------------------------------------------------------------------------------------------------------------------------------------------------------------------------------------------------------------------------------------------------------------------------------------------------------------------------------------------------------------------------------------------------------------------------------------------------------------------------------------------------------------|
| <pre>event snmp [tag tag] oid oid get-type {exact   next} entry-op {eq   ge   gt   le   lt   ne} entry-val entry [exit-comb {and   or}] exit-op {eq   ge   gt   le   lt   ne} exit-val exit exit-time time polling-interval interval</pre> <p><b>Example:</b></p> <pre>switch(config-applet)# event snmp oid 1.3.6.1.2.1.31.1.1.1.6 get-type next entry-op lt 300 entry-val 0 exit-op eq 400 exit-time 30 polling-interval 300</pre> | <p>Triggers an event if the SNMP OID crosses the entry threshold based on the entry operation. The event resets immediately, or optionally you can configure the event to reset after the counter passes the exit threshold. The OID is in dotted decimal notation.</p> <p>The <b>tag tag</b> keyword-argument pair identifies this specific event when multiple events are included in the policy.</p> <p>The <i>entry</i> and <i>exit</i> value ranges are from 0 to 18446744073709551615. The time, in seconds, is from 0 to 2147483647. The interval, in seconds, is from 1 to 2147483647.</p> |
| <pre>event storm-control</pre> <p><b>Example:</b></p> <pre>switch(config-applet)# event storm-control</pre>                                                                                                                                                                                                                                                                                                                          | <p>Triggers an event if traffic on a port exceeds the configured storm control threshold.</p>                                                                                                                                                                                                                                                                                                                                                                                                                                                                                                      |
| <pre>event sysmgr memory [module module-num] major major-percent minor minor-percent clear clear-percent</pre> <p><b>Example:</b></p> <pre>switch(config-applet)# event sysmgr memory minor 80</pre>                                                                                                                                                                                                                                 | <p>Triggers an event if the specified system manager memory threshold is exceeded. The range for the percentage is from 1 to 99.</p>                                                                                                                                                                                                                                                                                                                                                                                                                                                               |
| <pre>event sysmgr switchover count count time interval</pre> <p><b>Example:</b></p> <pre>switch(config-applet)# event sysmgr switchover count 10 time 1000</pre>                                                                                                                                                                                                                                                                     | <p>Triggers an event if the specified switchover count is exceeded within the time interval specified. The switchover count is from 1 to 65000. The time interval is from 0 to 2147483647.</p>                                                                                                                                                                                                                                                                                                                                                                                                     |
| <pre>event temperature [module slot] [sensor number] threshold {any   major   minor}</pre> <p><b>Example:</b></p> <pre>switch(config-applet)# event temperature module 2 threshold any</pre>                                                                                                                                                                                                                                         | <p>Triggers an event if the temperature sensor exceeds the configured threshold. The sensor range is from 1 to 18.</p>                                                                                                                                                                                                                                                                                                                                                                                                                                                                             |
| <pre>event track [tag tag] object-number state {any   down   up}</pre> <p><b>Example:</b></p> <pre>switch(config-applet)# event track 1 state down</pre>                                                                                                                                                                                                                                                                             | <p>Triggers an event if the tracked object is in the configured state.</p> <p>The <b>tag tag</b> keyword-argument pair identifies this specific event when multiple events are included in the policy.</p> <p>The <i>object-number</i> range is from 1 to 500.</p>                                                                                                                                                                                                                                                                                                                                 |

***Send document comments to [nexus7k-docfeedback@cisco.com](mailto:nexus7k-docfeedback@cisco.com).***

## Configuring Action Statements

Use the following commands in EEM configuration mode to configure action statements:

| Command                                                                                                                                                                                                                                                                                        | Purpose                                                                                                                                                                                                                                                                                                                                                                                                         |
|------------------------------------------------------------------------------------------------------------------------------------------------------------------------------------------------------------------------------------------------------------------------------------------------|-----------------------------------------------------------------------------------------------------------------------------------------------------------------------------------------------------------------------------------------------------------------------------------------------------------------------------------------------------------------------------------------------------------------|
| <p><b>action</b> <i>number</i>[.<i>number2</i>] <b>cli</b> <i>command1</i><br/>[<i>command2</i>...] [<b>local</b>]</p> <p><b>Example:</b><br/>switch(config-applet)# action 1.0 cli "show<br/>interface e 3/1"</p>                                                                             | <p>Runs the configured CLI commands. You can optionally run the commands on the module where the event occurred. The action label is in the format <i>number1.number2</i>.</p> <p><i>number</i> can be any number up to 16 digits. The range for <i>number2</i> is from 0 to 9.</p>                                                                                                                             |
| <p><b>action</b> <i>number</i>[.<i>number2</i>] <b>counter</b> <i>name</i><br/><i>counter value val op</i> {<b>dec</b>   <b>inc</b>   <b>nop</b>  <br/><b>set</b>}</p> <p><b>Example:</b><br/>switch(config-applet)# action 2.0 counter<br/>name mycounter value 20 op inc</p>                 | <p>Modifies the counter by the configured value and operation. The action label is in the format <i>number1.number2</i>.</p> <p><i>number</i> can be any number up to 16 digits. The range for <i>number2</i> is from 0 to 9.</p> <p>The counter name can be any case-sensitive, alphanumeric string up to 28 characters. The <i>val</i> can be an integer from 0 to 2147483647 or a substituted parameter.</p> |
| <p><b>action</b> <i>number</i>[.<i>number2</i>] <b>event-default</b></p> <p><b>Example:</b><br/>switch(config-applet)# action 1.0<br/>event-default</p>                                                                                                                                        | <p>Executes the default action for the associated event. The action label is in the format <i>number1.number2</i>.</p> <p><i>number</i> can be any number up to 16 digits. The range for <i>number2</i> is from 0 to 9.</p>                                                                                                                                                                                     |
| <p><b>action</b> <i>number</i>[.<i>number2</i>] <b>forceshut</b> [<b>module</b><br/><i>slot</i>   <b>xbar</b> <i>xbar-number</i>] <b>reset-reason</b><br/><i>seconds</i></p> <p><b>Example:</b><br/>switch(config-applet)# action 1.0 forceshut<br/>module 2 reset-reason "flapping links"</p> | <p>Forces a module, crossbar, or the entire system to shut down. The action label is in the format <i>number1.number2</i>.</p> <p><i>number</i> can be any number up to 16 digits. The range for <i>number2</i> is from 0 to 9.</p> <p>The reset reason is a quoted alphanumeric string up to 80 characters.</p>                                                                                                |
| <p><b>action</b> <i>number</i>[.<i>number2</i>] <b>overbudgetshut</b><br/>[<b>module</b> <i>slot</i> [- <i>slot</i>]]</p> <p><b>Example:</b><br/>switch(config-applet)# action 1.0<br/>overbudgetshut module 3-5</p>                                                                           | <p>Forces one or more modules or the entire system to shut down because of a power overbudget issue.</p> <p><i>number</i> can be any number up to 16 digits. The range for <i>number2</i> is from 0 to 9.</p>                                                                                                                                                                                                   |
| <p><b>action</b> <i>number</i>[.<i>number2</i>] <b>policy-default</b></p> <p><b>Example:</b><br/>switch(config-applet)# action 1.0<br/>policy-default</p>                                                                                                                                      | <p>Executes the default action for the policy that you are overriding. The action label is in the format <i>number1.number2</i>.</p> <p><i>number</i> can be any number up to 16 digits. The range for <i>number2</i> is from 0 to 9.</p>                                                                                                                                                                       |

**Send document comments to [nexus7k-docfeedback@cisco.com](mailto:nexus7k-docfeedback@cisco.com).**

| Command                                                                                                                                                                                                                                                               | Purpose                                                                                                                                                                                                                                                                                 |
|-----------------------------------------------------------------------------------------------------------------------------------------------------------------------------------------------------------------------------------------------------------------------|-----------------------------------------------------------------------------------------------------------------------------------------------------------------------------------------------------------------------------------------------------------------------------------------|
| <b>action</b> <i>number</i> [. <i>number2</i> ] <b>reload</b> [ <b>module</b> <i>slot</i> [- <i>slot</i> ]]<br><br><b>Example:</b><br>switch(config-applet)# action 1.0 reload module 3-5                                                                             | Forces one or more modules or the entire system to reload.<br><br><i>number</i> can be any number up to 16 digits. The range for <i>number2</i> is from 0 to 9.                                                                                                                         |
| <b>action</b> <i>number</i> [. <i>number2</i> ] <b>snmp-trap</b> {[ <b>intdata1</b> <i>data</i> [ <b>intdata2</b> <i>data</i> ] [ <b>strdata</b> <i>string</i> ]}<br><br><b>Example:</b><br>switch(config-applet)# action 1.0 snmp-trap strdata "temperature problem" | Sends an SNMP trap with the configured data.<br><i>number</i> can be any number up to 16 digits. The range for <i>number2</i> is from 0 to 9.<br><br>The <i>data</i> arguments can be any number up to 80 digits. The <i>string</i> can be any alphanumeric string up to 80 characters. |
| <b>action</b> <i>number</i> [. <i>number2</i> ] <b>syslog</b> [ <b>priority</b> <i>prio-val</i> ] <b>msg</b> <i>error-message</i><br><br><b>Example:</b><br>switch(config-applet)# action 1.0 syslog priority notifications msg "cpu high"                            | Sends a customized syslog message at the configured priority. <i>number</i> can be any number up to 16 digits. The range for <i>number2</i> is from 0 to 9.<br><br>The <i>error-message</i> can be any quoted alphanumeric string up to 80 characters.                                  |



#### Note

If you want to allow the triggered event to process any default actions, you must configure the EEM policy to allow the default action. For example, if you match a CLI command in a match statement, you must add the event-default action statement to the EEM policy or EEM will not allow the CLI command to execute. You can use the **terminal event-manager bypass** command to allow all EEM policies with CLI matches to execute the CLI command.

## Defining a Policy using a VSH Script

You can define a policy using a VSH script.

### BEFORE YOU BEGIN

Make sure that you are in the correct VDC. To change the VDC, use the **switchto vdc** command.

Ensure that you are logged in with administrator privileges.

Ensure that your script name is the same name as the script filename.

### DETAILED STEPS

- 
- Step 1** In a text editor, list the commands that define the policy.
  - Step 2** Name the text file and save it.
  - Step 3** Copy the file to the following system directory:  
bootflash://eem/user\_script\_policies
-

***Send document comments to [nexus7k-docfeedback@cisco.com](mailto:nexus7k-docfeedback@cisco.com).***

## Registering and Activating a VSH Script Policy

You can register and activate a policy defined in a VSH script.

### BEFORE YOU BEGIN

Make sure that you are in the correct VDC. To change the VDC, use the **switchto vdc** command.

### SUMMARY STEPS

1. **config t**
2. **event manager policy *policy-script***
3. (Optional) **show event manager policy internal *name***
4. (Optional) **copy running-config startup-config**

### DETAILED STEPS

|        | Command                                                                                                                                            | Purpose                                                                                                                                   |
|--------|----------------------------------------------------------------------------------------------------------------------------------------------------|-------------------------------------------------------------------------------------------------------------------------------------------|
| Step 1 | <b>config t</b><br><br><b>Example:</b><br>switch# config t<br>Enter configuration commands, one per line. End with CNTL/Z.<br>switch(config)#      | Places you in global configuration mode.                                                                                                  |
| Step 2 | <b>event manager policy <i>policy-script</i></b><br><br><b>Example:</b><br>switch(config)# event manager policy<br>moduleScript                    | Registers and activates an EEM script policy. The <i>policy-script</i> can be any case-sensitive alphanumeric string up to 29 characters. |
| Step 3 | <b>show event manager policy internal <i>name</i></b><br><br><b>Example:</b><br>switch(config)# show event manager<br>policy internal moduleScript | (Optional) Displays information about the configured policy.                                                                              |
| Step 4 | <b>copy running-config startup-config</b><br><br><b>Example:</b><br>switch(config)# copy running-config<br>startup-config                          | (Optional) Saves this configuration change.                                                                                               |

## Overriding a Policy

You can override a system policy.

### BEFORE YOU BEGIN

Make sure that you are in the correct VDC. To change the VDC, use the **switchto vdc** command.

**Send document comments to [nexus7k-docfeedback@cisco.com](mailto:nexus7k-docfeedback@cisco.com).**

## SUMMARY STEPS

1. **config t**
2. (Optional) **show event manager policy-state** *system-policy*
3. **event manager applet** *applet-name* **override** *system-policy*
4. (Optional) **description** *policy-description*
5. **event** *event-statement*
6. **action** *number* *action-statement*  
(Repeat Step 6 for multiple action statements.)
7. (Optional) **show event manager policy-state** *name*
8. (Optional) **copy running-config startup-config**

## DETAILED STEPS

|        | Command                                                                                                                                                                                                                                                                         | Purpose                                                                                                                                                                                                                                                                                                                                        |
|--------|---------------------------------------------------------------------------------------------------------------------------------------------------------------------------------------------------------------------------------------------------------------------------------|------------------------------------------------------------------------------------------------------------------------------------------------------------------------------------------------------------------------------------------------------------------------------------------------------------------------------------------------|
| Step 1 | <b>config t</b><br><br><b>Example:</b><br>switch# config t<br>Enter configuration commands, one per line. End with CNTL/Z.<br>switch(config)#                                                                                                                                   | Places you in global configuration mode.                                                                                                                                                                                                                                                                                                       |
| Step 2 | <b>show event manager policy-state</b> <i>system-policy</i><br><br><b>Example:</b><br>switch(config-applet)# show event manager policy-state __ethpm_link_flap<br>Policy __ethpm_link_flap<br>Cfg count : 5<br>Cfg time interval : 10.000000 (seconds)<br>Hash default, Count 0 | (Optional) Displays information about the system policy that you want to override, including thresholds. Use the <b>show event manager system-policy</b> command to find the system policy names. For information about system policies, see the “ <a href="#">Embedded Event Manager System Events and Configuration Examples</a> ” appendix. |
| Step 3 | <b>event manager applet</b> <i>applet-name</i> <b>override</b> <i>system-policy</i><br><br><b>Example:</b><br>switch(config)# event manager applet ethport override __ethpm_link_flap<br>switch(config-applet)#                                                                 | Overrides a system policy and enters applet configuration mode. The <i>applet-name</i> can be any case-sensitive alphanumeric string up to 29 characters. The <i>system-policy</i> must be one of the existing system policies.                                                                                                                |
| Step 4 | <b>description</b> <i>policy-description</i><br><br><b>Example:</b><br>switch(config-applet)# description “Overrides link flap policy.”                                                                                                                                         | (Optional) Configures a descriptive string for the policy. The string can be any alphanumeric string up to 80 characters. Enclose the string in quotation marks.                                                                                                                                                                               |
| Step 5 | <b>event</b> <i>event-statement</i><br><br><b>Example:</b><br>switch(config-applet)# event policy-default count 2 time 1000                                                                                                                                                     | Configures the event statement for the policy. See the “ <a href="#">Configuring Event Statements</a> ” section on page 14-10.                                                                                                                                                                                                                 |

***Send document comments to [nexus7k-docfeedback@cisco.com](mailto:nexus7k-docfeedback@cisco.com).***

|               | <b>Command</b>                                                                                                                                                         | <b>Purpose</b>                                                                                                                                                           |
|---------------|------------------------------------------------------------------------------------------------------------------------------------------------------------------------|--------------------------------------------------------------------------------------------------------------------------------------------------------------------------|
| <b>Step 6</b> | <b>action</b> <i>number</i> <i>action-statement</i><br><br><b>Example:</b><br>switch(config-applet)# action 1.0 syslog<br>priority warnings msg "Link is<br>flapping." | Configures an action statement for the policy. See the<br>“Configuring Action Statements” section on<br>page 14-13.<br><br>Repeat Step 6 for multiple action statements. |
| <b>Step 7</b> | <b>show event manager policy-state</b> <i>name</i><br><br><b>Example:</b><br>switch(config-applet)# show event<br>manager policy-state ethport                         | (Optional) Displays information about the configured policy.                                                                                                             |
| <b>Step 8</b> | <b>copy running-config startup-config</b><br><br><b>Example:</b><br>switch(config)# copy running-config<br>startup-config                                              | (Optional) Saves this configuration change.                                                                                                                              |

## Configuring Memory Thresholds

You can set the memory thresholds used to trigger events and set whether the operating system should kill processes if it cannot allocate memory.

### BEFORE YOU BEGIN

Make sure that you are in the correct VDC. To change the VDC, use the **switchto vdc** command. Ensure that you are logged in with administrator privileges.

### SUMMARY STEPS

1. **config t**
2. **system memory-thresholds minor** *minor* **severe** *severe* **critical** *critical*
3. (Optional) **system memory-thresholds threshold** **critical** **no-process-kill**
4. (Optional) **show running-config | include** “system memory”
5. (Optional) **copy running-config startup-config**

**Send document comments to [nexus7k-docfeedback@cisco.com](mailto:nexus7k-docfeedback@cisco.com).**

## DETAILED STEPS

|        | Command                                                                                                                                                                                     | Purpose                                                                                                                                                                                                                                                                                                                                                                                                                                                                                                                                                                                                                                                                                                                                                                                                                                                                                                                                                                                                                                                                                |
|--------|---------------------------------------------------------------------------------------------------------------------------------------------------------------------------------------------|----------------------------------------------------------------------------------------------------------------------------------------------------------------------------------------------------------------------------------------------------------------------------------------------------------------------------------------------------------------------------------------------------------------------------------------------------------------------------------------------------------------------------------------------------------------------------------------------------------------------------------------------------------------------------------------------------------------------------------------------------------------------------------------------------------------------------------------------------------------------------------------------------------------------------------------------------------------------------------------------------------------------------------------------------------------------------------------|
| Step 1 | <pre>config t</pre> <p><b>Example:</b><br/>switch# config t<br/>Enter configuration commands, one per line. End with CNTL/Z.<br/>switch(config)# </p>                                       | Places you in global configuration mode.                                                                                                                                                                                                                                                                                                                                                                                                                                                                                                                                                                                                                                                                                                                                                                                                                                                                                                                                                                                                                                               |
| Step 2 | <pre>system memory-thresholds minor minor<br/>severe severe critical critical</pre> <p><b>Example:</b><br/>switch(config)# system memory-thresholds<br/>minor 60 severe 70 critical 80 </p> | <p>Configures the system memory thresholds that generate EEM memory events. The default values are as follows:</p> <ul style="list-style-type: none"> <li>• Minor—85</li> <li>• Severe—90</li> <li>• Critical—95</li> </ul> <p>When these memory thresholds are exceeded, the system generates the following syslogs:</p> <ul style="list-style-type: none"> <li>• 2009 May 7 17:06:30 switch %\$ VDC-1 %\$ %PLATFORM-2-MEMORY_ALERT: Memory Status Alert : MINOR</li> <li>• 2009 May 7 17:06:30 switch %\$ VDC-1 %\$ %PLATFORM-2-MEMORY_ALERT: Memory Status Alert : SEVERE</li> <li>• 2009 May 7 17:06:30 switch %\$ VDC-1 %\$ %PLATFORM-2-MEMORY_ALERT: Memory Status Alert : CRITICAL</li> <li>• 2009 May 7 17:06:35 switch %\$ VDC-1 %\$ %PLATFORM-2-MEMORY_ALERT: Memory Status Alert : MINOR ALERT RECOVERED</li> <li>• 2009 May 7 17:06:35 switch %\$ VDC-1 %\$ %PLATFORM-2-MEMORY_ALERT: Memory Status Alert : SEVERE ALERT RECOVERED</li> <li>• 2009 May 7 17:06:35 switch %\$ VDC-1 %\$ %PLATFORM-2-MEMORY_ALERT: Memory Status Alert : CRITICAL ALERT RECOVERED</li> </ul> |
| Step 3 | <pre>system memory-thresholds threshold<br/>critical no-process-kill</pre> <p><b>Example:</b><br/>switch(config)# system memory-thresholds<br/>threshold critical no-process-kill </p>      | (Optional) Configures the system to not kill processes when the memory cannot be allocated. The default value is to allow the system to kill processes, starting with the one that consumes the most memory.                                                                                                                                                                                                                                                                                                                                                                                                                                                                                                                                                                                                                                                                                                                                                                                                                                                                           |



**Send document comments to [nexus7k-docfeedback@cisco.com](mailto:nexus7k-docfeedback@cisco.com).**

|        | Command                                                                                                                                             | Purpose                                                                |
|--------|-----------------------------------------------------------------------------------------------------------------------------------------------------|------------------------------------------------------------------------|
| Step 4 | <b>show running-config   include "system memory"</b><br><br><b>Example:</b><br>switch(config-applet)# show running-config   include "system memory" | (Optional) Displays information about the system memory configuration. |
| Step 5 | <b>copy running-config startup-config</b><br><br><b>Example:</b><br>switch(config)# copy running-config startup-config                              | (Optional) Saves this configuration change.                            |

## Configuring Syslog as EEM Publisher

You can monitor syslog messages from the switch.

### BEFORE YOU BEGIN

EEM should be available for registration by syslog.

The syslog daemon must be configured and executed.

### RESTRICTIONS

The maximum number of searchable strings to monitor syslog messages is 10.

### SUMMARY STEPS

1. **config t**
2. **event manager applet *applet-name***
3. **event syslog [tag *tag*] {occurs *number* | period *seconds* | pattern *msg-text* | priority *priority*}**
4. (Optional) **copy running-config startup-config**

### DETAILED STEPS

|        | Command                                                                                                                                       | Purpose                                                            |
|--------|-----------------------------------------------------------------------------------------------------------------------------------------------|--------------------------------------------------------------------|
| Step 1 | <b>config t</b><br><br><b>Example:</b><br>switch# config t<br>Enter configuration commands, one per line. End with CNTL/Z.<br>switch(config)# | Enters global configuration mode.                                  |
| Step 2 | <b>event manager applet <i>applet-name</i></b><br><br><b>Example:</b><br>switch(config)# event manager applet abc<br>switch(config-applet)#   | Registers an applet with EEM and enters applet configuration mode. |

**Send document comments to [nexus7k-docfeedback@cisco.com](mailto:nexus7k-docfeedback@cisco.com).**

|        | Command                                                                                                                                                           | Purpose                                                                                                                                                                                                                                                                                                                                                                                                                                                                                                                                                                                                                                                                                                                                                                                                                                                                                                                                                                                                                                              |
|--------|-------------------------------------------------------------------------------------------------------------------------------------------------------------------|------------------------------------------------------------------------------------------------------------------------------------------------------------------------------------------------------------------------------------------------------------------------------------------------------------------------------------------------------------------------------------------------------------------------------------------------------------------------------------------------------------------------------------------------------------------------------------------------------------------------------------------------------------------------------------------------------------------------------------------------------------------------------------------------------------------------------------------------------------------------------------------------------------------------------------------------------------------------------------------------------------------------------------------------------|
| Step 3 | <pre>event syslog [tag tag] {occurs number   period seconds   pattern msg-text   priority priority}  Example: switch(config-applet)# event syslog occurs 10</pre> | <p>Monitors syslog messages and invokes the policy based on the search string in the policy.</p> <ul style="list-style-type: none"> <li>The <b>tag tag</b> keyword-argument pair identifies this specific event when multiple events are included in the policy.</li> <li>The <b>occurs number</b> keyword-argument pair specifies the number of occurrences. The range is from 1 to 65000.</li> <li>The <b>period seconds</b> keyword-argument pair specifies the interval during which the event occurs. The range is from 1 to 4294967295.</li> <li>The <b>pattern msg-text</b> keyword-argument pair specifies the matching regular expression. The pattern can contain character text, an environment variable, or a combination of the two. If the string contains embedded blanks, it is enclosed in quotation marks.</li> <li>The <b>priority priority</b> keyword-argument pair specifies the priority of the syslog messages. If this keyword is not selected, all syslog messages are set at the informational priority level.</li> </ul> |
| Step 4 | <pre>copy running-config startup-config  Example: switch(config-applet)# copy running-config startup-config</pre>                                                 | (Optional) Saves this configuration change.                                                                                                                                                                                                                                                                                                                                                                                                                                                                                                                                                                                                                                                                                                                                                                                                                                                                                                                                                                                                          |

## Verifying the EEM Configuration

To display EEM configuration information, perform one of the following tasks:

| Command                                                                                                                                                                                    | Purpose                                                             |
|--------------------------------------------------------------------------------------------------------------------------------------------------------------------------------------------|---------------------------------------------------------------------|
| <b>show event manager environment</b><br>[ <i>variable-name</i>   <b>all</b> ]                                                                                                             | Displays information about the event manager environment variables. |
| <b>show event manager event-types</b> [ <i>event</i>   <b>all</b>  <br><b>module slot</b> ]                                                                                                | Displays information about the event manager event types.           |
| <b>show event manager history events</b> [ <b>detail</b> ]<br>[ <b>maximum num-events</b> ] [ <b>severity</b> { <b>catastrophic</b><br>  <b>minor</b>   <b>moderate</b>   <b>severe</b> }] | Displays the history of events for all policies.                    |
| <b>show event manager policy internal</b><br>[ <i>policy-name</i> ] [ <b>inactive</b> ]                                                                                                    | Displays information about the configured policies.                 |
| <b>show event manager policy-state</b> <i>policy-name</i>                                                                                                                                  | Displays information about the policy state, including thresholds.  |
| <b>show event manager script system</b> [ <i>policy-name</i><br>  <b>all</b> ]                                                                                                             | Displays information about the script policies.                     |

***Send document comments to [nexus7k-docfeedback@cisco.com](mailto:nexus7k-docfeedback@cisco.com).***

| Command                                             | Purpose                                                       |
|-----------------------------------------------------|---------------------------------------------------------------|
| <code>show event manager system-policy [all]</code> | Displays information about the predefined system policies.    |
| <code>show running-config eem</code>                | Displays information about the running configuration for EEM. |
| <code>show startup-config eem</code>                | Displays information about the startup configuration for EEM. |

## Configuration Examples for EEM

This example shows how to override the `__lcm_module_failure` system policy by changing the threshold for just module 3 hitless upgrade failures. This example also sends a syslog message. The settings in the system policy, `__lcm_module_failure`, apply in all other cases.

```
event manager applet example2 override __lcm_module_failure
  event module-failure type hitless-upgrade-failure module 3 count 2
  action 1 syslog priority errors msg module 3 "upgrade is not a hitless upgrade!"
  action 2 policy-default
```

This example shows how to override the `__ethpm_link_flap` system policy and shuts down the interface.

```
event manager applet ethport override __ethpm_link_flap
  event policy-default count 2 time 1000
  action 1 cli conf t
  action 2 cli int et1/1
  action 3 cli no shut
```

This example creates an EEM policy that allows the CLI command to execute but triggers an SNMP notification when a user enters configuration mode on the device:

```
event manager applet TEST
  event cli match "conf t"
  action 1.0 snmp-trap strdata "Configuration change"
  action 2.0 event-default
```



**Note** You must add the **event-default** action statement to the EEM policy, or EEM will not allow the CLI command to execute.

This example shows how to correlate multiple events in an EEM policy and execute the policy based on a combination of the event triggers. In this example, the EEM policy is triggered if one of the specified syslog patterns occurs within 120 seconds.

```
event manager applet eem-correlate
  event syslog tag one pattern "copy bootflash:.* running-config.*"
  event syslog tag two pattern "copy run start"
  event syslog tag three pattern "hello"
  tag one or two or three happens 1 in 120
  action 1.0 reload module 1
```



**Note** For additional EEM configuration examples, see [Appendix B, “Embedded Event Manager System Events and Configuration Examples.”](#)

**[Send document comments to nexus7k-docfeedback@cisco.com.](mailto:nexus7k-docfeedback@cisco.com)**

## Additional References

For additional information related to implementing EEM, see the following sections:

- [Related Documents, page 14-22](#)
- [Standards, page 14-22](#)

## Related Documents

| Related Topic | Document Title                                                                               |
|---------------|----------------------------------------------------------------------------------------------|
| EEM commands  | <i>Cisco Nexus 7000 Series NX-OS System Management Command Reference</i>                     |
| VDCs          | <i>Cisco Nexus 7000 Series NX-OS Virtual Device Context Configuration Guide, Release 5.x</i> |

## Standards

| Standards                                                                                                                             | Title |
|---------------------------------------------------------------------------------------------------------------------------------------|-------|
| No new or modified standards are supported by this feature, and support for existing standards has not been modified by this feature. | —     |

## Feature History for EEM

[Table 14-2](#) lists the release history for this feature.

**Table 14-2** Feature History for EEM

| Feature Name                    | Releases | Feature Information                                                                                                                                     |
|---------------------------------|----------|---------------------------------------------------------------------------------------------------------------------------------------------------------|
| EEM event correlation           | 5.2(1)   | Added support for multiple event triggers in a single EEM policy.                                                                                       |
| Syslog as EEM publisher         | 5.1(1)   | Added support to monitor syslog messages from the switch.                                                                                               |
| EEM                             | 5.0(2)   | No change from Release 4.2.                                                                                                                             |
| EEM                             | 4.2(1)   | No change from Release 4.1.                                                                                                                             |
| Memory thresholds configuration | 4.1(3)   | Added a configuration section for memory thresholds.<br>See the <a href="#">“Configuring Memory Thresholds”</a> section on <a href="#">page 14-17</a> . |



## CHAPTER 15

# Configuring Onboard Failure Logging

---

This chapter describes how to configure the onboard failure logging (OBFL) features on Cisco NX-OS devices.

This chapter includes the following sections:

- [Information About OBFL, page 15-1](#)
- [Licensing Requirements for OBFL, page 15-2](#)
- [Prerequisites for OBFL, page 15-2](#)
- [Guidelines and Limitations, page 15-3](#)
- [Default Settings, page 15-3](#)
- [Configuring OBFL, page 15-3](#)
- [Verifying the OBFL Configuration, page 15-6](#)
- [Configuration Example for OBFL, page 15-7](#)
- [Additional References, page 15-7](#)
- [Feature History for OBFL, page 15-8](#)

## Information About OBFL

This section includes the following topics:

- [OBFL Overview, page 15-1](#)
- [Virtualization Support, page 15-2](#)

## OBFL Overview

Cisco NX-OS provides the ability to log failure data to persistent storage, which you can retrieve and display for analysis at a later time. This onboard failure logging (OBFL) feature stores failure and environmental information in nonvolatile memory on the module. The information will help analyze failed modules.

The data stored by OBFL include the following:

- Time of initial power-on
- Slot number of the module in the chassis

***Send document comments to [nexus7k-docfeedback@cisco.com](mailto:nexus7k-docfeedback@cisco.com).***

- Initial temperature of the module
- Firmware, BIOS, FPGA, and ASIC versions
- Serial number of the module
- Stack trace for crashes
- CPU hog information
- Memory leak information
- Software error messages
- Hardware exception logs
- Environmental history
- OBFL-specific history information
- ASIC interrupt and error statistics history
- ASIC register dumps

OBFL stores a kernel trace in case Cisco NX-OS crashes.

## Virtualization Support

You must be in the default virtual device context (VDC) to configure and display OBFL information. See the *Cisco Nexus 7000 Series NX-OS Virtual Device Context Configuration Guide, Release 5.x* for more information on VDCs.

## Licensing Requirements for OBFL

The following table shows the licensing requirements for this feature:

| Product     | License Requirement                                                                                                                                                                                                                                                           |
|-------------|-------------------------------------------------------------------------------------------------------------------------------------------------------------------------------------------------------------------------------------------------------------------------------|
| Cisco NX-OS | OBFL requires no license. Any feature not included in a license package is bundled with the Cisco NX-OS system images and is provided at no extra charge to you. For a complete explanation of the Cisco NX-OS licensing scheme, see the <i>Cisco NX-OS Licensing Guide</i> . |

## Prerequisites for OBFL

If you configure VDCs, install the Advanced Services license and enter the desired VDC (see the *Cisco Nexus 7000 Series NX-OS Virtual Device Context Configuration Guide, Release 5.x*).

You must have network-admin user privileges and be logged into the default VDC.

***Send document comments to [nexus7k-docfeedback@cisco.com](mailto:nexus7k-docfeedback@cisco.com).***

## Guidelines and Limitations

OBFL has the following guidelines and limitations:

- OBFL is enabled by default.
- OBFL flash supports a limited number of writes and erases. The more logging you enable, the faster you use up this number of writes and erases.



### Note

Be aware that the Cisco NX-OS commands for this feature may differ from those commands used in Cisco IOS.

## Default Settings

Table 15-1 lists the default settings for OBFL parameters.

**Table 15-1**      *Default OBFL Parameters*

| Parameters | Default              |
|------------|----------------------|
| OBFL       | All features enabled |

## Configuring OBFL

You can configure the OBFL features on Cisco NX-OS devices.

### BEFORE YOU BEGIN

Make sure you are in global configuration mode.

### SUMMARY STEPS

1. **hw-module logging onboard**
2. **hw-module logging onboard environmental-history**
3. **hw-module logging onboard error-stats**
4. **hw-module logging onboard interrupt-stats**
5. **hw-module logging onboard module *slot***
6. **hw-module logging onboard module obfl-log**
7. **show logging onboard**
8. **copy running-config startup-config**

**Send document comments to [nexus7k-docfeedback@cisco.com](mailto:nexus7k-docfeedback@cisco.com).**

## DETAILED STEPS

|        | Command                                                                                                                                                                                                                                                                                                                                                                               | Purpose                                                    |
|--------|---------------------------------------------------------------------------------------------------------------------------------------------------------------------------------------------------------------------------------------------------------------------------------------------------------------------------------------------------------------------------------------|------------------------------------------------------------|
| Step 1 | <p><b>config t</b></p> <p><b>Example:</b><br/> switch# config t<br/> Enter configuration commands, one per line. End with<br/> CNTL/Z.<br/> switch(config)#</p>                                                                                                                                                                                                                       | Places you in global configuration mode.                   |
| Step 2 | <p><b>hw-module logging onboard</b></p> <p><b>Example:</b><br/> switch(config)# hw-module logging onboard<br/> Module: 7 Enabling ... was successful.<br/> Module: 10 Enabling ... was successful.<br/> Module: 12 Enabling ... was successful.</p>                                                                                                                                   | Enables all OBFL features.                                 |
| Step 3 | <p><b>hw-module logging onboard environmental-history</b></p> <p><b>Example:</b><br/> switch(config)# hw-module logging onboard<br/> environmental-history<br/> Module: 7 Enabling environmental-history ... was<br/> successful.<br/> Module: 10 Enabling environmental-history ... was<br/> successful.<br/> Module: 12 Enabling environmental-history ... was<br/> successful.</p> | Enables the OBFL environmental history.                    |
| Step 4 | <p><b>hw-module logging onboard error-stats</b></p> <p><b>Example:</b><br/> switch(config)# hw-module logging onboard error-stats<br/> Module: 7 Enabling error-stats ... was successful.<br/> Module: 10 Enabling error-stats ... was successful.<br/> Module: 12 Enabling error-stats ... was successful.</p>                                                                       | Enables the OBFL error statistics.                         |
| Step 5 | <p><b>hw-module logging onboard interrupt-stats</b></p> <p><b>Example:</b><br/> switch(config)# hw-module logging onboard interrupt-stats<br/> Module: 7 Enabling interrupt-stats ... was<br/> successful.<br/> Module: 10 Enabling interrupt-stats ... was<br/> successful.<br/> Module: 12 Enabling interrupt-stats ... was<br/> successful.</p>                                    | Enables the OBFL interrupt statistics.                     |
| Step 6 | <p><b>hw-module logging onboard module slot</b></p> <p><b>Example:</b><br/> switch(config)# hw-module logging onboard module 7<br/> Module: 7 Enabling ... was successful.</p>                                                                                                                                                                                                        | Enables the OBFL information for a module.                 |
| Step 7 | <p><b>hw-module logging onboard obfl-log</b></p> <p><b>Example:</b><br/> switch(config)# hw-module logging onboard obfl-log<br/> Module: 7 Enabling obfl-log ... was successful.<br/> Module: 10 Enabling obfl-log ... was successful.<br/> Module: 12 Enabling obfl-log ... was successful.</p>                                                                                      | Enables the boot uptime, device version, and OBFL history. |



***Send document comments to [nexus7k-docfeedback@cisco.com](mailto:nexus7k-docfeedback@cisco.com).***

|        | Command                                                                                                                                                                                                                                                                                                                                                                                                                                                                                                                                                                                                                                                                                           | Purpose                                     |
|--------|---------------------------------------------------------------------------------------------------------------------------------------------------------------------------------------------------------------------------------------------------------------------------------------------------------------------------------------------------------------------------------------------------------------------------------------------------------------------------------------------------------------------------------------------------------------------------------------------------------------------------------------------------------------------------------------------------|---------------------------------------------|
| Step 8 | <p><b>show logging onboard</b></p> <p><b>Example:</b><br/> switch(config)# show logging onboard<br/> -----<br/> OBFL Status<br/> -----<br/> Switch OBFL Log:<br/> Enabled</p> <p>Module: 7 OBFL Log: Enabled<br/> cpu-hog Enabled<br/> environmental-history Enabled<br/> error-stats Enabled<br/> exception-log<br/> .<br/> .<br/> .</p> <p>Fri Mar 21 19:07:33 2008 (957597 us)<br/> Module 2 SecondaryBootROM test has failed 20 times with<br/> error BIOS file checksum<br/> error</p> <p>Library could not be opened<br/> *** /lc/isan/lib/libcrdcfg.so: undefined symbol:<br/> get_slot_id ***<br/> plog_show_data_type: Error opening library statcl,<br/> func_name statcl_disp_func</p> | (Optional) Displays information about OBFL. |
| Step 9 | <p><b>copy running-config startup-config</b></p> <p><b>Example:</b><br/> switch(config)# copy running-config startup-config</p>                                                                                                                                                                                                                                                                                                                                                                                                                                                                                                                                                                   | (Optional) Saves this configuration change. |

[Send document comments to nexus7k-docfeedback@cisco.com.](mailto:nexus7k-docfeedback@cisco.com)

## Verifying the OBFL Configuration

Use the `show logging onboard status` command to display the configuration status of OBFL.

```
switch# show logging onboard status
-----
OBFL Status
-----
Switch OBFL Log:                               Enabled

Module:  2 OBFL Log:                            Enabled
cpu-hog                                     Enabled
environmental-history                       Enabled
error-stats                                 Enabled
exception-log                               Enabled
interrupt-stats                             Enabled
mem-leak                                    Enabled
miscellaneous-error                         Enabled
obfl-log (boot-uptime/device-version/obfl-history) Enabled
register-log                                Enabled
stack-trace                                 Enabled
system-health                              Enabled

Module:  6 OBFL Log:                            Enabled
cpu-hog                                     Enabled
environmental-history                       Enabled
error-stats                                 Enabled
exception-log                               Enabled
interrupt-stats                             Enabled
mem-leak                                    Enabled
miscellaneous-error                         Enabled
obfl-log (boot-uptime/device-version/obfl-history) Enabled
register-log                                Enabled
stack-trace                                 Enabled
system-health                              Enabled
temp Error                                  Enabled
```

To display OBFL information stored in flash on a module, perform one of the following tasks:

| Command                                                 | Purpose                                          |
|---------------------------------------------------------|--------------------------------------------------|
| <code>show logging onboard boot-uptime</code>           | Displays the boot and uptime information.        |
| <code>show logging onboard counter-stats</code>         | Displays statistics on all ASIC counters.        |
| <code>show logging onboard device-version</code>        | Displays device version information.             |
| <code>show logging onboard endtime</code>               | Displays OBFL logs to a specified end time.      |
| <code>show logging onboard environmental-history</code> | Displays environmental history.                  |
| <code>show logging onboard error-stats</code>           | Displays error statistics.                       |
| <code>show logging onboard exception-log</code>         | Displays exception log information.              |
| <code>show logging onboard interrupt-stats</code>       | Displays interrupt statistics.                   |
| <code>show logging onboard kernel-trace</code>          | Displays kernel trace information.               |
| <code>show logging onboard module <i>slot</i></code>    | Displays OBFL information for a specific module. |
| <code>show logging onboard obfl-history</code>          | Displays history information.                    |
| <code>show logging onboard obfl-logs</code>             | Displays log information.                        |

***Send document comments to [nexus7k-docfeedback@cisco.com](mailto:nexus7k-docfeedback@cisco.com).***

| Command                                       | Purpose                                         |
|-----------------------------------------------|-------------------------------------------------|
| <code>show logging onboard stack-trace</code> | Displays kernel stack trace information.        |
| <code>show logging onboard starttime</code>   | Displays OBFL logs from a specified start time. |
| <code>show logging onboard status</code>      | Displays OBFL status information.               |

**Note**

Use the `clear logging onboard` command to clear the OBFL information for each of the `show` command options listed.

## Configuration Example for OBFL

This example shows how to enable OBFL on module 2 for environmental information:

```
conf t
hw-module logging onboard module 2 environmental-history
```

## Additional References

For additional information related to implementing OBFL, see the following sections:

- [Related Documents, page 15-7](#)
- [Standards, page 15-7](#)

## Related Documents

| Related Topic       | Document Title                                                                               |
|---------------------|----------------------------------------------------------------------------------------------|
| OBFL CLI commands   | <i>Cisco Nexus 7000 Series NX-OS System Management Command Reference</i>                     |
| Configuration files | <i>Cisco Nexus 7000 Series NX-OS Fundamentals Configuration Guide, Release 5.x</i>           |
| VDCs                | <i>Cisco Nexus 7000 Series NX-OS Virtual Device Context Configuration Guide, Release 5.x</i> |

## Standards

| Standards                                                                                                                             | Title |
|---------------------------------------------------------------------------------------------------------------------------------------|-------|
| No new or modified standards are supported by this feature, and support for existing standards has not been modified by this feature. | —     |

***Send document comments to [nexus7k-docfeedback@cisco.com](mailto:nexus7k-docfeedback@cisco.com).***

## Feature History for OBFL

Table 15-2 lists the release history for this feature.

**Table 15-2**      *Feature History for OBFL*

| Feature Name | Releases | Feature Information         |
|--------------|----------|-----------------------------|
| OBFL         | 5.2(1)   | No change from Release 5.1. |
| OBFL         | 5.1(1)   | No change from Release 5.0. |
| OBFL         | 5.0(2)   | No change from Release 4.2. |



## CHAPTER 16

# Configuring SPAN

---

This chapter describes how to configure an Ethernet switched port analyzer (SPAN) to analyze traffic between ports on Cisco NX-OS devices.

This chapter includes the following sections:

- [Information About SPAN, page 16-1](#)
- [Licensing Requirements for SPAN, page 16-5](#)
- [Prerequisites for SPAN, page 16-5](#)
- [Guidelines and Limitations, page 16-5](#)
- [Default Settings, page 16-7](#)
- [Configuring SPAN, page 16-7](#)
- [Verifying the SPAN Configuration, page 16-20](#)
- [Configuration Examples for SPAN, page 16-21](#)
- [Additional References, page 16-23](#)
- [Feature History for SPAN, page 16-24](#)

## Information About SPAN

SPAN analyzes all traffic between source ports by directing the SPAN session traffic to a destination port with an external analyzer attached to it.

You can define the sources and destinations to monitor in a SPAN session on the local device.

This section includes the following topics:

- [SPAN Sources, page 16-2](#)
- [SPAN Destinations, page 16-2](#)
- [SPAN Sessions, page 16-3](#)
- [Virtual SPAN Sessions, page 16-3](#)
- [Multiple SPAN Sessions, page 16-4](#)
- [High Availability, page 16-4](#)
- [Virtualization Support, page 16-4](#)

*Send document comments to [nexus7k-docfeedback@cisco.com](mailto:nexus7k-docfeedback@cisco.com).*

## SPAN Sources

The interfaces from which traffic can be monitored are called SPAN sources. Sources designate the traffic to monitor and whether to copy ingress, egress, or both directions of traffic. SPAN sources include the following:

- Ethernet ports
- Port channels
- The inband interface to the control plane CPU—You can monitor the inband interface only from the default VDC. Inband traffic from all VDCs is monitored.
- VLANs—When a VLAN is specified as a SPAN source, all supported interfaces in the VLAN are SPAN sources.
- Remote SPAN (RSPAN) VLANs
- Fabric port channels connected to the Cisco Nexus 2000 Series Fabric Extender
- Satellite ports and host interface port channels on the Cisco Nexus 2000 Series Fabric Extender—These interfaces are supported in Layer 2 access mode, Layer 2 trunk mode, and Layer 3 mode.




---

**Note** Layer 3 subinterfaces are not supported.

---



**Note**

---

A single SPAN session can include mixed sources in any combination of the above.

---

## Characteristics of Source Ports

SPAN source ports have the following characteristics:

- A port configured as a source port cannot also be configured as a destination port.
- An RSPAN VLAN can only be used as a SPAN source.
- If you use the supervisor inband interface as a SPAN source, the following packets are monitored:
  - All packets that arrive on the supervisor hardware (ingress)
  - All packets generated by the supervisor hardware (egress)

## SPAN Destinations

SPAN destinations refer to the interfaces that monitor source ports. Destination ports receive the copied traffic from SPAN sources.

## Characteristics of Destination Ports

SPAN destination ports have the following characteristics:

- Destinations for a SPAN session include Ethernet ports or port-channel interfaces in either access or trunk mode.
- A port configured as a destination port cannot also be configured as a source port.
- A destination port can be configured in only one SPAN session at a time.

***Send document comments to [nexus7k-docfeedback@cisco.com](mailto:nexus7k-docfeedback@cisco.com).***

- Destination ports do not participate in any spanning tree instance. SPAN output includes Bridge Protocol Data Unit (BPDU) Spanning-Tree Protocol hello packets.
- An RSPAN VLAN cannot be used as a SPAN destination.
- You can configure SPAN destinations to inject packets to disrupt a certain TCP packet stream in support of the Intrusion Detection System (IDS).
- You can configure SPAN destinations to enable a forwarding engine to learn the MAC address of the IDS.
- F1 Series module FabricPath core ports, Fabric Extender HIF ports, HIF port channels, and Fabric PO ports are not supported as SPAN destination ports.
- Shared interfaces cannot be used as SPAN destinations.
- VLAN ACL redirects to SPAN destination ports are not supported.
- All SPAN destinations configured for a given session will receive all spanned traffic. For more information, see the “[Virtual SPAN Sessions](#)” section below.

## SPAN Sessions

You can create up to 48 SPAN sessions designating sources and destinations to monitor.

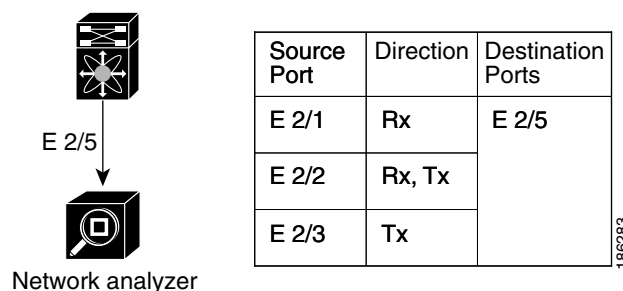


### Note

Only two SPAN sessions, two ERSPAN sessions, or one SPAN session and one ERSPAN session can be running simultaneously.

[Figure 16-1](#) shows a SPAN configuration. Packets on three Ethernet ports are copied to destination port Ethernet 2/5. Only traffic in the direction specified is copied.

**Figure 16-1** SPAN Configuration



## Virtual SPAN Sessions

You can create a virtual SPAN session to monitor multiple VLAN sources and choose only VLANs of interest to transmit on multiple destination ports. For example, you can configure SPAN on a trunk port and monitor traffic from different VLANs on different destination ports.

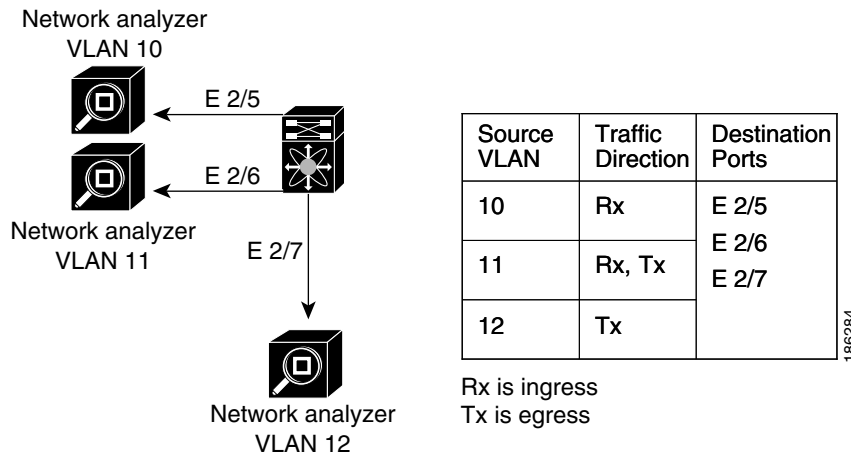
[Figure 16-2](#) shows a virtual SPAN configuration. The virtual SPAN session copies traffic from the three VLANs to the three specified destination ports. You can choose which VLANs to allow on each destination port to limit the traffic that the device transmits on it. In [Figure 16-2](#), the device transmits packets from one VLAN at each destination port.

**Send document comments to [nexus7k-docfeedback@cisco.com](mailto:nexus7k-docfeedback@cisco.com).**

**Note**

Virtual SPAN sessions cause all source packets to be copied to all destinations, whether the packets are required at the destination or not. VLAN traffic filtering occurs at the egress destination port level.

**Figure 16-2 Virtual SPAN Configuration**



For information about configuring a virtual SPAN session, see the [“Configuring a Virtual SPAN Session” section on page 16-11](#).

## Multiple SPAN Sessions

Although you can define up to 48 SPAN sessions, only two SPAN or ERSPAN sessions can be running simultaneously. You can shut down an unused SPAN session.

For information about shutting down SPAN sessions, see the [“Shutting Down or Resuming a SPAN Session” section on page 16-15](#).

## High Availability

The SPAN feature supports stateless and stateful restarts. After a reboot or supervisor switchover, the running configuration is applied. For more information on high availability, see the *Cisco Nexus 7000 Series NX-OS High Availability and Redundancy Guide, Release 5.x*.

## Virtualization Support

A virtual device context (VDC) is a logical representation of a set of system resources. SPAN applies only to the VDC where the commands are entered.

**Note**

You can monitor the inband interface only from the default VDC. Inband traffic from all VDCs is monitored.

For information about configuring VDCs, see the *Cisco Nexus 7000 Series NX-OS Virtual Device Context Configuration Guide, Release 5.x*.



***Send document comments to [nexus7k-docfeedback@cisco.com](mailto:nexus7k-docfeedback@cisco.com).***

## Licensing Requirements for SPAN

The following table shows the licensing requirements for this feature:

| Product     | License Requirement                                                                                                                                                                                                                                                           |
|-------------|-------------------------------------------------------------------------------------------------------------------------------------------------------------------------------------------------------------------------------------------------------------------------------|
| Cisco NX-OS | SPAN requires no license. Any feature not included in a license package is bundled with the Cisco NX-OS system images and is provided at no extra charge to you. For a complete explanation of the Cisco NX-OS licensing scheme, see the <i>Cisco NX-OS Licensing Guide</i> . |

## Prerequisites for SPAN

SPAN has the following prerequisite:

- You must first configure the ports on each device to support the desired SPAN configuration. For more information, see the *Cisco Nexus 7000 Series NX-OS Interfaces Configuration Guide, Release 5.x*.

## Guidelines and Limitations

SPAN has the following configuration guidelines and limitations:

- For SPAN session limits, see the *Cisco Nexus 7000 Series NX-OS Verified Scalability Guide*.
- SPAN is not supported for management ports.
- All SPAN replication is performed in the hardware. The supervisor CPU is not involved.
- A destination port can only be configured in one SPAN session at a time.
- You cannot configure a port as both a source and destination port.
- A single SPAN session can include mixed sources in any combination of the following:
  - Ethernet ports, but not subinterfaces.
  - VLANs, which can be assigned to port channel subinterfaces
  - The inband interface to the control plane CPU

***Send document comments to [nexus7k-docfeedback@cisco.com](mailto:nexus7k-docfeedback@cisco.com).***

- Destination ports do not participate in any spanning tree instance. SPAN output includes Bridge Protocol Data Unit (BPDU) Spanning-Tree Protocol hello packets.
- When a SPAN session contains source ports that are monitored in the transmit or transmit and receive direction, packets that these ports receive may be replicated to the SPAN destination port even though the packets are not actually transmitted on the source ports. Some examples of this behavior on source ports include:
  - Traffic that results from flooding
  - Broadcast and multicast traffic
- For VLAN SPAN sessions with both ingress and egress configured, two packets (one from ingress and one from egress) are forwarded from the destination port if the packets get switched on the same VLAN.
- VLAN SPAN monitors only the traffic that leaves or enters Layer 2 ports in the VLAN.
- You can monitor the inband interface only from the default VDC. Inband traffic from all VDCs is monitored.
- You can configure an RSPAN VLAN for use only as a SPAN session source.
- You can configure a SPAN session on the local device only.
- Multiple SPAN destinations are not supported when an F1 Series module is present in a VDC. If multiple SPAN destinations are configured in a SPAN session, the session is disabled until the F1 Series module is powered down or moved to another VDC or the multiple SPAN destinations are reduced to a single destination.
- A maximum of two bidirectional sessions are supported when an F1 Series module is present in a VDC.
- A FabricPath core port is not supported as a SPAN destination when an F1 Series module is present in a VDC. However, a FabricPath core port can be configured as a SPAN source interface.
- F1 Series modules are Layer 2 domain line cards. Packets from Layer 3 sources can be spanned and directed to an F1 Series module SPAN destination. An F1 Series module interface cannot be configured as Layer 3, but it can receive Layer 3 traffic in a SPAN destination mode.
- When using SPAN sessions on F1 Series modules, ensure that the total amount of source traffic in a given session is less than or equal to the capacity of the SPAN destination interface or port channel for that session. If the SPAN source traffic exceeds the capacity of the SPAN destination, packet drops might occur on the SPAN source interfaces.
- If you span a core interface when inter-VLAN routing is enabled across L2MP, it is not possible to capture the traffic egressing out of the core interface.
- Beginning with Cisco NX-OS Release 5.2, the Cisco Nexus 2000 Series Fabric Extender interfaces and the fabric port channels connected to the Cisco Nexus 2000 Series Fabric Extender can be configured as SPAN sources. However, they cannot be configured as SPAN destinations.




---

**Note**

SPAN on Fabric Extender interfaces and fabric port channels is supported on the 32-port, 10-Gigabit M1 and M1 XL modules (N7K-M132XP-12 and N7K-M132XP-12L). SPAN runs on the Cisco Nexus 7000 Series device, not on the Fabric Extender.

---

- SPAN is supported on Fabric Extender interfaces in Layer 2 access mode, Layer 2 trunk mode, and Layer 3 mode. Layer 3 subinterfaces are not supported.
- If a port channel is the SPAN destination interface for SPAN traffic that is sourced from M1 Series modules, only a single member interface will receive traffic.

**[Send document comments to nexus7k-docfeedback@cisco.com.](mailto:nexus7k-docfeedback@cisco.com)**

- Cisco NX-OS does not span Link Layer Discovery Protocol (LLDP) or Link Aggregation Control Protocol (LACP) packets when the source interface is a Fabric Extender HIF (downlink) port or HIF port channel.
- SPAN sessions cannot capture packets with broadcast or multicast MAC addresses that reach the supervisor, such as ARP requests and Open Shortest Path First (OSPF) protocol hello packets, if the source of the session is the supervisor ethernet in-band interface. To capture these packets, you must use the physical interface as the source in the SPAN sessions.
- The rate limit percentage of a SPAN session is based on 10G for all modules (that is, 1% corresponds to 0.1G), and the value is applied per every forwarding engine instance.
- MTU truncation and the SPAN rate limit are supported only on F1 Series modules.



**Note** MTU truncation and the SPAN rate limit cannot be enabled for the same SPAN session. If you configure both for one session, only the rate limit is allowed on F1 Series modules, and MTU truncation is disabled until you disable the rate limit configuration.

- MTU truncation on egress spanned FabricPath (core) packets is 16 bytes less than the configured value because the SPAN destination removes the core header. In addition, when trunk ports are used as the SPAN destination, the spanned ingress packets have 4 more bytes than the configured MTU truncation size.
- For certain rate limit and packet size values, the SPAN packet rate is less than the configured value because of the internal accounting of packet sizes and internal headers.
- Multicast best effort mode applies only to M1 Series modules.
- SPAN does not capture pause frames in a Fibre Channel over Ethernet (FCoE) network because pause frames sent from the virtual expansion (VE) port are generated and terminated by the outermost MAC layer. For more information on FCoE, see the *Cisco NX-OS FCoE Configuration Guide for Cisco Nexus 7000 and Cisco MDS 9500*.

## Default Settings

Table 16-2 lists the default settings for SPAN parameters.

**Table 16-2** Default SPAN Parameters

| Parameters                 | Default                   |
|----------------------------|---------------------------|
| SPAN sessions              | Created in the shut state |
| MTU truncation             | Disabled                  |
| Multicast best effort mode | Disabled                  |
| SPAN rate limit            | Disabled                  |

## Configuring SPAN

This section includes the following topics:

- [Configuring a SPAN Session, page 16-8](#)
- [Configuring a Virtual SPAN Session, page 16-11](#)

***Send document comments to [nexus7k-docfeedback@cisco.com](mailto:nexus7k-docfeedback@cisco.com).***

- [Configuring an RSPAN VLAN, page 16-14](#)
- [Shutting Down or Resuming a SPAN Session, page 16-15](#)
- [Configuring MTU Truncation for Each SPAN Session, page 16-16](#)
- [Configuring a Source Rate Limit for Each SPAN Session, page 16-17](#)
- [Configuring the Multicast Best Effort Mode for a SPAN Session, page 16-19](#)



**Note**

Cisco NX-OS commands for this feature may differ from those in Cisco IOS.

## Configuring a SPAN Session

You can configure a SPAN session on the local device only. By default, SPAN sessions are created in the shut state.

For sources, you can specify Ethernet ports, port channels, the supervisor inband interface, VLANs, and RSPAN VLANs. You can specify private VLANs (primary, isolated, and community) in SPAN sources.

A single SPAN session can include mixed sources in any combination of Ethernet ports, VLANs, or the inband interface to the control plane CPU. You cannot specify Ethernet port subinterfaces as sources for a SPAN session.



**Note**

To use a Layer 3 port-channel subinterface as a SPAN source in the monitor session, you must specify the VLAN ID that you entered when configuring IEEE 802.1Q VLAN encapsulation for the subinterface as the filter VLAN. When you use the main interface and the SPAN VLAN filter to filter the 802.1Q VLANs on the subinterfaces, SPAN shows the traffic for all subinterfaces on the SPAN destination port.

When you specify the supervisor inband interface for a SPAN source, the device monitors all packets that arrive on the supervisor hardware (ingress) and all packets generated by the supervisor hardware (egress).

For destination ports, you can specify Ethernet ports or port-channels in either access or trunk mode. You must enable monitor mode on all destination ports.

### BEFORE YOU BEGIN

Make sure that you are in the correct VDC. To switch VDCs, use the **switchto vdc** command.

You must have already configured the destination ports in access or trunk mode. For more information, see the *Cisco Nexus 7000 Series NX-OS Interfaces Configuration Guide, Release 5.x*.

### SUMMARY STEPS

1. **config t**
2. **interface ethernet** *slot/port[-port]*
3. **switchport**
4. **switchport mode** [access | trunk | private-vlan]
5. **switchport monitor** [ingress [learning]]
6. (Optional) Repeat Steps 2 and 3 to configure monitoring on additional SPAN destinations.
7. **no monitor session** *session-number*

***Send document comments to [nexus7k-docfeedback@cisco.com](mailto:nexus7k-docfeedback@cisco.com).***

8. **monitor session** *session-number*
9. **description** *description*
10. **source** {**interface** *type* | **vlan** {*number* | *range*} [**rx** | **tx** | **both**]
11. (Optional) Repeat Step 8 to configure all SPAN sources.
12. (Optional) **filter vlan** {*number* | *range*}
13. (Optional) Repeat Step 10 to configure all source VLANs to filter.
14. **destination interface** *type* {*number* | *range*}
15. (Optional) Repeat Step 12 to configure all SPAN destination ports.
16. **no shut**
17. (Optional) **show monitor session** {**all** | *session-number* | **range** *session-range*} [**brief**]
18. (Optional) **copy running-config startup-config**

## DETAILED STEPS

|        | Command                                                                                                                                                                | Purpose                                                                                                                                                                                                                                                                                                                                                                                                                                  |
|--------|------------------------------------------------------------------------------------------------------------------------------------------------------------------------|------------------------------------------------------------------------------------------------------------------------------------------------------------------------------------------------------------------------------------------------------------------------------------------------------------------------------------------------------------------------------------------------------------------------------------------|
| Step 1 | <b>config t</b><br><br><b>Example:</b><br>switch# config t<br>switch(config)#                                                                                          | Enters global configuration mode.                                                                                                                                                                                                                                                                                                                                                                                                        |
| Step 2 | <b>interface ethernet</b> <i>slot/port[-port]</i><br><br><b>Example:</b><br>switch(config)# interface ethernet 2/5<br>switch(config-if)#                               | Enters interface configuration mode on the selected slot and port or range of ports.                                                                                                                                                                                                                                                                                                                                                     |
| Step 3 | <b>switchport</b><br><br><b>Example:</b><br>switch(config-if)# switchport<br>switch(config-if)#                                                                        | Configures switchport parameters for the selected slot and port or range of ports.                                                                                                                                                                                                                                                                                                                                                       |
| Step 4 | <b>switchport mode</b> [ <b>access</b>   <b>trunk</b>   <b>private-vlan</b> ]<br><br><b>Example:</b><br>switch(config-if)# switchport mode trunk<br>switch(config-if)# | Configures the switchport mode for the selected slot and port or range of ports. <ul style="list-style-type: none"> <li>• access</li> <li>• trunk</li> <li>• private-vlan</li> </ul>                                                                                                                                                                                                                                                     |
| Step 5 | <b>switchport monitor</b> [ <b>ingress</b> [ <b>learning</b> ]]<br><br><b>Example:</b><br>switch(config-if)# switchport monitor                                        | Configures the switchport interface as a SPAN destination: <ul style="list-style-type: none"> <li>• <b>ingress</b><br/>Allows the SPAN destination port to inject packets that disrupt a certain TCP packet stream, for example, in networks with IDS.</li> <li>• <b>ingress learning</b><br/>Allows the SPAN destination port to inject packets, and allows the learning of MAC addresses, for example, the IDS MAC address.</li> </ul> |

**Send document comments to [nexus7k-docfeedback@cisco.com](mailto:nexus7k-docfeedback@cisco.com).**

|         | Command                                                                                                                                                                                                                                                                                                                                                                                                                                                                                                                                                                        | Purpose                                                                                                                                                                                                                                                                                                                                                                                                                                                                                                                                                                                                                                                                                                                                                                                   |
|---------|--------------------------------------------------------------------------------------------------------------------------------------------------------------------------------------------------------------------------------------------------------------------------------------------------------------------------------------------------------------------------------------------------------------------------------------------------------------------------------------------------------------------------------------------------------------------------------|-------------------------------------------------------------------------------------------------------------------------------------------------------------------------------------------------------------------------------------------------------------------------------------------------------------------------------------------------------------------------------------------------------------------------------------------------------------------------------------------------------------------------------------------------------------------------------------------------------------------------------------------------------------------------------------------------------------------------------------------------------------------------------------------|
| Step 6  | (Optional) Repeat Steps 2 and 3 to configure monitoring on additional SPAN destinations.                                                                                                                                                                                                                                                                                                                                                                                                                                                                                       | —                                                                                                                                                                                                                                                                                                                                                                                                                                                                                                                                                                                                                                                                                                                                                                                         |
| Step 7  | <b>no monitor session</b> <i>session-number</i><br><br><b>Example:</b><br>switch(config)# no monitor session 3                                                                                                                                                                                                                                                                                                                                                                                                                                                                 | Clears the configuration of the specified SPAN session. The new session configuration is added to the existing session configuration.                                                                                                                                                                                                                                                                                                                                                                                                                                                                                                                                                                                                                                                     |
| Step 8  | <b>monitor session</b> <i>session-number</i><br><br><b>Example:</b><br>switch(config)# monitor session 3<br>switch(config-monitor)#                                                                                                                                                                                                                                                                                                                                                                                                                                            | Enters the monitor configuration mode. The new session configuration is added to the existing session configuration. By default, the session is created in the shut state.                                                                                                                                                                                                                                                                                                                                                                                                                                                                                                                                                                                                                |
| Step 9  | <b>description</b> <i>description</i><br><br><b>Example:</b><br>switch(config-monitor)# description<br>my_span_session_3                                                                                                                                                                                                                                                                                                                                                                                                                                                       | Configures a description for the session. By default, no description is defined. The description can be up to 32 alphanumeric characters.                                                                                                                                                                                                                                                                                                                                                                                                                                                                                                                                                                                                                                                 |
| Step 10 | <b>source</b> { <b>interface</b> <i>type</i>   <b>vlan</b> { <i>1-3967,4048-4093</i> }} [ <b>rx</b>   <b>tx</b>   <b>both</b> ]<br><br><b>Example 1:</b><br>switch(config-monitor)# source interface ethernet 2/1-3, ethernet 3/1 rx<br><br><b>Example 2:</b><br>switch(config-monitor)# source interface port-channel 2<br><br><b>Example 3:</b><br>switch(config-monitor)# source interface sup-eth 0 both<br><br><b>Example 4:</b><br>switch(config-monitor)# source vlan 3, 6-8 tx<br><br><b>Example 5:</b><br>switch(config-monitor)# source interface ethernet 101/1/1-3 | Configures sources and the traffic direction in which to copy packets. You can enter a range of Ethernet ports, a port channel, an inband interface, a range of VLANs, a Cisco Nexus 2000 Series Fabric Extender interface, or a fabric port channel connected to a Cisco Nexus 2000 Series Fabric Extender.<br><br>You can configure one or more sources, as either a series of comma-separated entries or a range of numbers. You can specify up to 128 interfaces. The VLAN range is from 1 to 3967 and 4048 to 4093.<br><br>You can specify the traffic direction to copy as ingress (tx), egress (tx), or both. By default, the direction is both.<br><br><b>Note</b> You can monitor the inband interface only from the default VDC. The inband traffic from all VDCs is monitored. |
| Step 11 | (Optional) Repeat Step 8 to configure all SPAN sources.                                                                                                                                                                                                                                                                                                                                                                                                                                                                                                                        | —                                                                                                                                                                                                                                                                                                                                                                                                                                                                                                                                                                                                                                                                                                                                                                                         |
| Step 12 | <b>filter vlan</b> { <i>number</i>   <i>range</i> }<br><br><b>Example:</b><br>switch(config-monitor)# filter vlan 3-5, 7                                                                                                                                                                                                                                                                                                                                                                                                                                                       | (Optional) Configures which VLANs to select from the configured sources. You can configure one or more VLANs, as either a series of comma-separated entries, or a range of numbers. The VLAN range is from 1 to 3967 and 4048 to 4093.                                                                                                                                                                                                                                                                                                                                                                                                                                                                                                                                                    |
| Step 13 | (Optional) Repeat Step 10 to configure all source VLANs to filter.                                                                                                                                                                                                                                                                                                                                                                                                                                                                                                             | —                                                                                                                                                                                                                                                                                                                                                                                                                                                                                                                                                                                                                                                                                                                                                                                         |

**Send document comments to [nexus7k-docfeedback@cisco.com](mailto:nexus7k-docfeedback@cisco.com).**

|         | Command                                                                                                                                                        | Purpose                                                                                                                                                                                                                                                                                                                                                                                                                                                                                                     |
|---------|----------------------------------------------------------------------------------------------------------------------------------------------------------------|-------------------------------------------------------------------------------------------------------------------------------------------------------------------------------------------------------------------------------------------------------------------------------------------------------------------------------------------------------------------------------------------------------------------------------------------------------------------------------------------------------------|
| Step 14 | <pre>destination interface type {number   range}</pre> <p><b>Example:</b><br/>switch(config-monitor)# destination interface ethernet 2/5, ethernet 3/7</p>     | <p>Configures destinations for copied source packets. You can configure one or more destinations, as either a series of comma-separated entries or a range of numbers. You can specify up to 128 interfaces.</p> <p><b>Note</b> SPAN destination ports must be either access or trunk ports.</p> <p><b>Note</b> The Cisco Nexus 2000 Series Fabric Extender interfaces and the fabric port channels connected to the Cisco Nexus 2000 Series Fabric Extender cannot be configured as SPAN destinations.</p> |
| Step 15 | (Optional) Repeat Step 12 to configure all SPAN destination ports.                                                                                             | —                                                                                                                                                                                                                                                                                                                                                                                                                                                                                                           |
| Step 16 | <pre>no shut</pre> <p><b>Example:</b><br/>switch(config-monitor)# no shut</p>                                                                                  | <p>Enables the SPAN session. By default, the session is created in the shut state.</p> <p><b>Note</b> Only two SPAN sessions can be running simultaneously.</p>                                                                                                                                                                                                                                                                                                                                             |
| Step 17 | <pre>show monitor session {all   session-number   range session-range} [brief]</pre> <p><b>Example:</b><br/>switch(config-monitor)# show monitor session 3</p> | (Optional) Displays the SPAN configuration.                                                                                                                                                                                                                                                                                                                                                                                                                                                                 |
| Step 18 | <pre>copy running-config startup-config</pre> <p><b>Example:</b><br/>switch(config-monitor)# copy running-config startup-config</p>                            | (Optional) Copies the running configuration to the startup configuration.                                                                                                                                                                                                                                                                                                                                                                                                                                   |

## Configuring a Virtual SPAN Session

You can configure a virtual SPAN session to copy packets from source ports, VLANs, and RSPAN VLANs to destination ports on the local device. By default, SPAN sessions are created in the shut state.

For sources, you can specify ports, VLANs, or RSPAN VLANs.

For destination ports, you can specify Ethernet ports. You can choose which VLANs to allow on each destination port to limit the traffic that the device transmits on it.

### BEFORE YOU BEGIN

Ensure that you are in the correct VDC (or use the **switchto vdc** command).

You have already configured the destination ports in trunk mode. For more information, see the *Cisco Nexus 7000 Series NX-OS Interfaces Configuration Guide, Release 5.x*.

You have already configured the destination ports to monitor a SPAN session with the **switchport monitor** command.

**Send document comments to [nexus7k-docfeedback@cisco.com](mailto:nexus7k-docfeedback@cisco.com).**

## SUMMARY STEPS

1. **config t**
2. **no monitor session** *session-number*
3. **monitor session** *session-number*
4. **source** {**interface** *type* | **vlan**} {*number* | *range*} [**rx** | **tx** | **both**]
5. (Optional) Repeat Step 4 to configure all virtual SPAN VLAN sources.
6. **destination interface** *type* {*number* | *range*}
7. (Optional) Repeat Step 6 to configure all virtual SPAN destination ports.
8. **no shut**
9. (Optional) **show monitor session** {**all** | *session-number* | **range** *session-range*} [**brief**]
10. **interface ethernet** *slot/port*[-*port*]
11. **switchport trunk allowed vlan** {{*number* | *range*} | **add** {*number* | *range*} | **except** {*number* | *range*} | **remove** {*number* | *range*} | **all** | **none**}
12. (Optional) Repeat Steps 10 and 11 to configure the allowed VLANs on each destination port.
13. (Optional) **show interface ethernet** *slot/port*[-*port*] **trunk**
14. (Optional) **copy running-config startup-config**

## DETAILED STEPS

|        | Command                                                                                                                                                                                                       | Purpose                                                                                                                                                                                                                                                                                                                                                                                                     |
|--------|---------------------------------------------------------------------------------------------------------------------------------------------------------------------------------------------------------------|-------------------------------------------------------------------------------------------------------------------------------------------------------------------------------------------------------------------------------------------------------------------------------------------------------------------------------------------------------------------------------------------------------------|
| Step 1 | <b>config t</b><br><br><b>Example:</b><br>switch# config t<br>switch(config)#                                                                                                                                 | Enters global configuration mode.                                                                                                                                                                                                                                                                                                                                                                           |
| Step 2 | <b>no monitor session</b> <i>session-number</i><br><br><b>Example:</b><br>switch(config)# no monitor session 3                                                                                                | Clears the configuration of the specified SPAN session. New session configuration is added to the existing session configuration.                                                                                                                                                                                                                                                                           |
| Step 3 | <b>monitor session</b> <i>session-number</i><br><br><b>Example:</b><br>switch(config)# monitor session 3<br>switch(config-monitor)#                                                                           | Enters the monitor configuration mode. A new session configuration is added to the existing session configuration.                                                                                                                                                                                                                                                                                          |
| Step 4 | <b>source</b> { <b>interface</b> <i>type</i>   <b>vlan</b> } { <i>number</i>   <i>range</i> } [ <b>rx</b>   <b>tx</b>   <b>both</b> ]<br><br><b>Example:</b><br>switch(config-monitor)# source vlan 3, 6-8 tx | Configures sources and the traffic direction in which to copy packets. You can configure one or more sources, as either a series of comma-separated entries, or a range of numbers. You can specify up to 128 interfaces. The VLAN range is from 1 to 3967 and 4048 to 4093.<br><br>You can specify the traffic direction to copy as ingress (tx), egress (tx), or both. By default, the direction is both. |
| Step 5 | (Optional) Repeat Step 4 to configure all virtual SPAN source VLANs.                                                                                                                                          | —                                                                                                                                                                                                                                                                                                                                                                                                           |



**Send document comments to [nexus7k-docfeedback@cisco.com](mailto:nexus7k-docfeedback@cisco.com).**

|         | Command                                                                                                                                                                                                                             | Purpose                                                                                                                                                                                                                                                                                                                                                                                                                                                      |
|---------|-------------------------------------------------------------------------------------------------------------------------------------------------------------------------------------------------------------------------------------|--------------------------------------------------------------------------------------------------------------------------------------------------------------------------------------------------------------------------------------------------------------------------------------------------------------------------------------------------------------------------------------------------------------------------------------------------------------|
| Step 6  | <pre>destination interface type {number   range}</pre> <p><b>Example:</b><br/>switch(config-monitor)# destination interface ethernet 2/5, ethernet 3/7</p>                                                                          | <p>Configures destinations for copied source packets. You can configure one or more interfaces, as either a series of comma-separated entries, or a range of numbers. The allowable range is from 1 to 128.</p> <p><b>Note</b> Configure destination ports as trunk ports. For more information, see the <i>Cisco Nexus 7000 Series NX-OS Interfaces Configuration Guide, Release 5.x</i>.</p>                                                               |
| Step 7  | (Optional) Repeat Step 6 to configure all virtual SPAN destination ports.                                                                                                                                                           | —                                                                                                                                                                                                                                                                                                                                                                                                                                                            |
| Step 8  | <pre>no shut</pre> <p><b>Example:</b><br/>switch(config-monitor)# no shut</p>                                                                                                                                                       | <p>Enables the SPAN session. By default, the session is created in the shut state.</p> <p><b>Note</b> Only two SPAN sessions can be running simultaneously.</p>                                                                                                                                                                                                                                                                                              |
| Step 9  | <pre>show monitor session {all   session-number   range session-range} [brief]</pre> <p><b>Example:</b><br/>switch(config-monitor)# show monitor session 3</p>                                                                      | (Optional) Displays the virtual SPAN configuration.                                                                                                                                                                                                                                                                                                                                                                                                          |
| Step 10 | <pre>interface ethernet slot/port[-port]</pre> <p><b>Example:</b><br/>switch(config)# interface ethernet 2/5<br/>switch(config-if)#</p>                                                                                             | Enters interface configuration mode on the selected slot and port or range of ports.                                                                                                                                                                                                                                                                                                                                                                         |
| Step 11 | <pre>switchport trunk allowed vlan {{number   range}   add {number   range}   except {number   range}   remove {number   range}   all   none}</pre> <p><b>Example:</b><br/>switch(config-if)# switchport trunk allowed vlan 3-5</p> | <p>Configures the range of VLANs that are allowed on the interface. You can add to or remove from the existing VLANs, you can select all VLANs except those VLANs that you specify, or you can select all or none of the VLANs. By default, all VLANs are allowed on the interface.</p> <p>You can configure one or more VLANs, as either a series of comma-separated entries, or a range of numbers. The VLAN range is from 1 to 3967 and 4048 to 4093.</p> |
| Step 12 | (Optional) Repeat Steps 10 and 11 to configure the allowed VLANs on each destination port.                                                                                                                                          | —                                                                                                                                                                                                                                                                                                                                                                                                                                                            |
| Step 13 | <pre>show interface ethernet slot/port[-port] trunk</pre> <p><b>Example:</b><br/>switch(config-if)# show interface ethernet 2/5 trunk</p>                                                                                           | (Optional) Displays the interface trunking configuration for the selected slot and port or range of ports.                                                                                                                                                                                                                                                                                                                                                   |
| Step 14 | <pre>copy running-config startup-config</pre> <p><b>Example:</b><br/>switch(config-if)# copy running-config startup-config</p>                                                                                                      | (Optional) Copies the running configuration to the startup configuration.                                                                                                                                                                                                                                                                                                                                                                                    |

***Send document comments to [nexus7k-docfeedback@cisco.com](mailto:nexus7k-docfeedback@cisco.com).***

## Configuring an RSPAN VLAN

You can specify a remote SPAN (RSPAN) VLAN as a SPAN session source.

### BEFORE YOU BEGIN

Ensure that you are in the correct VDC (or use the **switchto vdc** command).

### SUMMARY STEPS

1. **config t**
2. **vlan *vlan***
3. **remote-span**
4. **exit**
5. (Optional) **show vlan**
6. (Optional) **copy running-config startup-config**

### DETAILED STEPS

|        | Command                                                                                                                | Purpose                                                                            |
|--------|------------------------------------------------------------------------------------------------------------------------|------------------------------------------------------------------------------------|
| Step 1 | <b>config t</b><br><br><b>Example:</b><br>switch# config t<br>switch(config)#                                          | Enters global configuration mode.                                                  |
| Step 2 | <b>vlan <i>vlan</i></b><br><br><b>Example:</b><br>switch(config)# vlan 901<br>switch(config-vlan)#                     | Enters VLAN configuration mode for the VLAN specified.                             |
| Step 3 | <b>remote-span</b><br><br><b>Example:</b><br>switch(config-vlan)# remote-span                                          | Configures the VLAN as an RSPAN VLAN.                                              |
| Step 4 | <b>exit</b><br><br><b>Example:</b><br>switch(config-vlan)# exit<br>switch(config)#                                     | Exits VLAN configuration mode.                                                     |
| Step 5 | <b>show vlan</b><br><br><b>Example:</b><br>switch(config)# show vlan                                                   | (Optional) Displays the VLAN configuration. Remote SPAN VLANs are listed together. |
| Step 6 | <b>copy running-config startup-config</b><br><br><b>Example:</b><br>switch(config)# copy running-config startup-config | (Optional) Copies the running configuration to the startup configuration.          |

***Send document comments to [nexus7k-docfeedback@cisco.com](mailto:nexus7k-docfeedback@cisco.com).***

## Shutting Down or Resuming a SPAN Session

You can shut down SPAN sessions to discontinue the copying of packets from sources to destinations. Because only two SPAN sessions can be running simultaneously, you can shut down one session in order to free hardware resources to enable another session. By default, SPAN sessions are created in the shut state.

You can resume (enable) SPAN sessions to resume the copying of packets from sources to destinations. In order to enable a SPAN session that is already enabled but operationally down, you must first shut it down and then enable it.

You can configure the shut and enabled SPAN session states with either a global or monitor configuration mode command.

### BEFORE YOU BEGIN

Ensure that you are in the correct VDC (or use the **switchto vdc** command).

### SUMMARY STEPS

1. **config t**
2. **monitor session {*session-range* | all} shut**
3. **no monitor session {*session-range* | all} shut**
4. **monitor session *session-number***
5. **shut**
6. **no shut**
7. (Optional) **show monitor**
8. (Optional) **copy running-config startup-config**

### DETAILED STEPS

|        | Command                                                                                                                   | Purpose                                                                                                                                                                  |
|--------|---------------------------------------------------------------------------------------------------------------------------|--------------------------------------------------------------------------------------------------------------------------------------------------------------------------|
| Step 1 | <b>config t</b><br><br><b>Example:</b><br>switch# config t<br>switch(config)#                                             | Enters global configuration mode.                                                                                                                                        |
| Step 2 | <b>monitor session {<i>session-range</i>   all} shut</b><br><br><b>Example:</b><br>switch(config)# monitor session 3 shut | Shuts down the specified SPAN sessions. The session ranges from 1 to 48. By default, sessions are created in the shut state. Only two sessions can be running at a time. |

**Send document comments to [nexus7k-docfeedback@cisco.com](mailto:nexus7k-docfeedback@cisco.com).**

|        | Command                                                                                                                                            | Purpose                                                                                                                                                                                                                                                                                                                                                                                                                   |
|--------|----------------------------------------------------------------------------------------------------------------------------------------------------|---------------------------------------------------------------------------------------------------------------------------------------------------------------------------------------------------------------------------------------------------------------------------------------------------------------------------------------------------------------------------------------------------------------------------|
| Step 3 | <b>no monitor session</b> { <i>session-range</i>   <b>all</b> }<br><b>shut</b><br><br><b>Example:</b><br>switch(config)# no monitor session 3 shut | Resumes (enables) the specified SPAN sessions. The session ranges from 1 to 48. By default, sessions are created in the shut state. Only two sessions can be running at a time.<br><br><b>Note</b> If a monitor session is enabled but its operational status is down, then to enable the session, you must first specify the <b>monitor session shut</b> command followed by the <b>no monitor session shut</b> command. |
| Step 4 | <b>monitor session</b> <i>session-number</i><br><br><b>Example:</b><br>switch(config)# monitor session 3<br>switch(config-monitor)#                | Enters the monitor configuration mode. The new session configuration is added to the existing session configuration.                                                                                                                                                                                                                                                                                                      |
| Step 5 | <b>shut</b><br><br><b>Example:</b><br>switch(config-monitor)# shut                                                                                 | Shuts down the SPAN session. By default, the session is created in the shut state.                                                                                                                                                                                                                                                                                                                                        |
| Step 6 | <b>no shut</b><br><br><b>Example:</b><br>switch(config-monitor)# no shut                                                                           | Enables the SPAN session. By default, the session is created in the shut state.<br><br><b>Note</b> Only two SPAN sessions can be running simultaneously.                                                                                                                                                                                                                                                                  |
| Step 7 | <b>show monitor</b><br><br><b>Example:</b><br>switch(config-monitor)# show monitor                                                                 | (Optional) Displays the status of SPAN sessions.                                                                                                                                                                                                                                                                                                                                                                          |
| Step 8 | <b>copy running-config startup-config</b><br><br><b>Example:</b><br>switch(config-monitor)# copy<br>running-config startup-config                  | (Optional) Copies the running configuration to the startup configuration.                                                                                                                                                                                                                                                                                                                                                 |

## Configuring MTU Truncation for Each SPAN Session

To reduce the SPAN traffic bandwidth, you can configure the maximum bytes allowed for each replicated packet in a SPAN session. This value is called the maximum transmission unit (MTU) truncation size. Any SPAN packet larger than the configured size is truncated to the configured size.



### Note

MTU truncation and the SPAN rate limit cannot be enabled for the same SPAN session. If you configure both for one session, only the rate limit is allowed on F1 Series modules, and MTU truncation is disabled until you disable the rate limit configuration.

### BEFORE YOU BEGIN

Ensure that you are in the correct VDC (or use the **switchto vdc** command).

***Send document comments to [nexus7k-docfeedback@cisco.com](mailto:nexus7k-docfeedback@cisco.com).***

## SUMMARY STEPS

1. **config t**
2. **monitor session** *session-number*
3. **[no] mtu** *mtu*
4. (Optional) **show monitor** *session-number*
5. (Optional) **copy running-config startup-config**

## DETAILED STEPS

|        | Command                                                                                                                             | Purpose                                                                                                                                                                                                                        |
|--------|-------------------------------------------------------------------------------------------------------------------------------------|--------------------------------------------------------------------------------------------------------------------------------------------------------------------------------------------------------------------------------|
| Step 1 | <b>config t</b><br><br><b>Example:</b><br>switch# config t<br>switch(config)#                                                       | Enters global configuration mode.                                                                                                                                                                                              |
| Step 2 | <b>monitor session</b> <i>session-number</i><br><br><b>Example:</b><br>switch(config)# monitor session 3<br>switch(config-monitor)# | Enters the monitor configuration mode and specifies the SPAN session for which the MTU truncation size is to be configured.                                                                                                    |
| Step 3 | <b>[no] mtu</b> <i>mtu</i><br><br><b>Example:</b><br>switch(config-monitor)# mtu 64                                                 | Configures the MTU truncation size for packets in the specified SPAN session. The range is from 64 to 1500 bytes.                                                                                                              |
| Step 4 | <b>show monitor session</b> <i>session-number</i><br><br><b>Example:</b><br>switch(config-monitor)# show monitor session 3          | (Optional) Displays the status of SPAN sessions, including the configuration status of MTU truncation, the maximum bytes allowed for each packet per session, and the modules on which MTU truncation is and is not supported. |
| Step 5 | <b>copy running-config startup-config</b><br><br><b>Example:</b><br>switch(config-monitor)# copy running-config startup-config      | (Optional) Copies the running configuration to the startup configuration.                                                                                                                                                      |

## Configuring a Source Rate Limit for Each SPAN Session

When a SPAN session is configured with multiple interfaces or VLANs as the sources in a high-traffic environment, the destination port can be overloaded, causing the normal data traffic to be disrupted at the source port. You can alleviate this problem as well as traffic overload on the source forwarding instance by configuring a source rate limit for each SPAN session.



### Note

MTU truncation and the SPAN rate limit cannot be enabled for the same SPAN session. If you configure both for one session, only the rate limit is allowed on F1 Series modules, and MTU truncation is disabled until you disable the rate limit configuration.

***Send document comments to [nexus7k-docfeedback@cisco.com](mailto:nexus7k-docfeedback@cisco.com).***

## BEFORE YOU BEGIN

Ensure that you are in the correct VDC (or use the **switchto vdc** command).

## SUMMARY STEPS

1. **config t**
2. **monitor session** *session-number*
3. **[no] rate-limit** { **auto** | *rate-limit* }
4. (Optional) **show monitor** *session-number*
5. (Optional) **copy running-config startup-config**

## DETAILED STEPS

|        | Command                                                                                                                             | Purpose                                                                                                                   |
|--------|-------------------------------------------------------------------------------------------------------------------------------------|---------------------------------------------------------------------------------------------------------------------------|
| Step 1 | <b>config t</b><br><br><b>Example:</b><br>switch# config t<br>switch(config)#                                                       | Enters global configuration mode.                                                                                         |
| Step 2 | <b>monitor session</b> <i>session-number</i><br><br><b>Example:</b><br>switch(config)# monitor session 3<br>switch(config-monitor)# | Enters the monitor configuration mode and specifies the SPAN session for which the source rate limit is to be configured. |

**Send document comments to [nexus7k-docfeedback@cisco.com](mailto:nexus7k-docfeedback@cisco.com).**

|        | Command                                                                                                                                       | Purpose                                                                                                                                                                                                                                                                                                                                                                                                                                                                                                                                                                                                                                                                                                                                                                                                                                                                                                                                                                                                                                                                                                                                                                                                                                                                                         |
|--------|-----------------------------------------------------------------------------------------------------------------------------------------------|-------------------------------------------------------------------------------------------------------------------------------------------------------------------------------------------------------------------------------------------------------------------------------------------------------------------------------------------------------------------------------------------------------------------------------------------------------------------------------------------------------------------------------------------------------------------------------------------------------------------------------------------------------------------------------------------------------------------------------------------------------------------------------------------------------------------------------------------------------------------------------------------------------------------------------------------------------------------------------------------------------------------------------------------------------------------------------------------------------------------------------------------------------------------------------------------------------------------------------------------------------------------------------------------------|
| Step 3 | <p>[no] <b>rate-limit</b> {<b>auto</b>   <i>rate-limit</i>}</p> <p><b>Example:</b><br/>switch(config-monitor)# <b>rate-limit auto</b></p>     | <p>Configures the source rate limit for SPAN packets in the specified SPAN session in automatic or manual mode:</p> <ul style="list-style-type: none"> <li>• <b>Auto mode</b>—Automatically calculates the rate limit on a per-gigabyte basis as follows: destination bandwidth / aggregate source bandwidth. For example, if the rate limit per gigabyte is 0.5, then for every 1G of source traffic, only 0.5G of packets are spanned.</li> </ul> <p>For ingress traffic, the per-gigabyte limit is applied to each forwarding engine of the F1 Series module based on how many ports are used as the SPAN source so that source can be spanned at the maximum available bandwidth. For egress traffic, the per-gigabyte limit is applied to each forwarding engine of the F1 Series module without considering how many ports are used as the SPAN source.</p> <ul style="list-style-type: none"> <li>• <b>Manual mode</b>—Specifies the percentage of the maximum rate of SPAN packets that can be sent out from each forwarding engine on a line card. The range is from 1 to 100. For example, if the rate limit is 10%, the maximum rate of SPAN packets that can be sent out from each of the forwarding engines on an F1 Series module is 1G (or 10% of the 10G line rate).</li> </ul> |
| Step 4 | <p><b>show monitor session</b> <i>session-number</i></p> <p><b>Example:</b><br/>switch(config-monitor)# <b>show monitor session 3</b></p>     | <p>(Optional) Displays the status of SPAN sessions, including the configuration status of the rate limit, the percentage of the maximum SPAN rate allowed per session, and the modules on which the rate limit is and is not supported.</p>                                                                                                                                                                                                                                                                                                                                                                                                                                                                                                                                                                                                                                                                                                                                                                                                                                                                                                                                                                                                                                                     |
| Step 5 | <p><b>copy running-config startup-config</b></p> <p><b>Example:</b><br/>switch(config-monitor)# <b>copy running-config startup-config</b></p> | <p>(Optional) Copies the running configuration to the startup configuration.</p>                                                                                                                                                                                                                                                                                                                                                                                                                                                                                                                                                                                                                                                                                                                                                                                                                                                                                                                                                                                                                                                                                                                                                                                                                |

## Configuring the Multicast Best Effort Mode for a SPAN Session

You can configure the multicast best effort mode for any SPAN session. By default, SPAN replication occurs on both the ingress and egress line card. When you enable the multicast best effort mode, SPAN replication occurs only on the ingress line card for multicast traffic or on the egress line card for packets egressing out of Layer 3 interfaces (that is, on the egress line card, packets egressing out of Layer 2 interfaces are not replicated for SPAN).

### BEFORE YOU BEGIN

Ensure that you are in the correct VDC (or use the **switchto vdc** command).

**Send document comments to [nexus7k-docfeedback@cisco.com](mailto:nexus7k-docfeedback@cisco.com).**

## SUMMARY STEPS

1. **config t**
2. **monitor session** *session-number*
3. **[no] multicast best-effort**
4. (Optional) **show monitor** *session-number*
5. (Optional) **copy running-config startup-config**

## DETAILED STEPS

|        | Command                                                                                                                             | Purpose                                                                                                                                                                                      |
|--------|-------------------------------------------------------------------------------------------------------------------------------------|----------------------------------------------------------------------------------------------------------------------------------------------------------------------------------------------|
| Step 1 | <b>config t</b><br><br><b>Example:</b><br>switch# config t<br>switch(config)#                                                       | Enters global configuration mode.                                                                                                                                                            |
| Step 2 | <b>monitor session</b> <i>session-number</i><br><br><b>Example:</b><br>switch(config)# monitor session 3<br>switch(config-monitor)# | Enters the monitor configuration mode and specifies the SPAN session for which the multicast best effort mode is to be configured.                                                           |
| Step 3 | <b>[no] multicast best-effort</b><br><br><b>Example:</b><br>switch(config-monitor)# multicast best-effort                           | Configures the multicast best effort mode for the specified SPAN session.                                                                                                                    |
| Step 4 | <b>show monitor session</b> <i>session-number</i><br><br><b>Example:</b><br>switch(config-monitor)# show monitor session 3          | (Optional) Displays the status of SPAN sessions, including the configuration status of the multicast best effort mode and the modules on which the best effort mode is and is not supported. |
| Step 5 | <b>copy running-config startup-config</b><br><br><b>Example:</b><br>switch(config-monitor)# copy running-config startup-config      | (Optional) Copies the running configuration to the startup configuration.                                                                                                                    |

## Verifying the SPAN Configuration

To display the SPAN configuration, perform one of the following tasks:

| Command                                                                                                                 | Purpose                                  |
|-------------------------------------------------------------------------------------------------------------------------|------------------------------------------|
| <b>show monitor session</b> { <b>all</b>   <i>session-number</i>   <b>range</b> <i>session-range</i> } [ <b>brief</b> ] | Displays the SPAN session configuration. |

For detailed information about the fields in the output from these commands, see the *Cisco Nexus 7000 Series NX-OS System Management Command Reference*.



*Send document comments to [nexus7k-docfeedback@cisco.com](mailto:nexus7k-docfeedback@cisco.com).*

## Configuration Examples for SPAN

This section includes the following topics:

- [Configuration Example for a SPAN Session, page 16-21](#)
- [Configuration Example for a Virtual SPAN Session, page 16-21](#)
- [Configuration Example for a SPAN Session with a Private VLAN Source, page 16-22](#)

### Configuration Example for a SPAN Session

To configure a SPAN session, follow these steps:

- 
- Step 1** Configure destination ports in access or trunk mode, and enable SPAN monitoring.

```
switch# config t
switch(config)# interface ethernet 2/5
switch(config-if)# switchport
switch(config-if)# switchport mode trunk
switch(config-if)# switchport monitor
switch(config-if)# no shut
switch(config-if)# exit
switch(config)#
```

- Step 2** Configure a SPAN session.

```
switch(config)# no monitor session 3
switch(config)# monitor session 3
switch(config-monitor)# source interface ethernet 2/1-3, ethernet 3/1 rx
switch(config-monitor)# source interface port-channel 2
switch(config-monitor)# source interface sup-eth 0 both
switch(config-monitor)# source vlan 3, 6-8 tx
switch(config-monitor)# source interface ethernet 101/1/1-3
switch(config-monitor)# filter vlan 3-5, 7
switch(config-monitor)# destination interface ethernet 2/5
switch(config-monitor)# no shut
switch(config-monitor)# mtu 500
switch(config-monitor)# rate-limit 10
switch(config-monitor)# multicast best-effort
switch(config-monitor)# exit
switch(config)# show monitor session 3
switch(config)# copy running-config startup-config
```

---

### Configuration Example for a Virtual SPAN Session

To configure a virtual SPAN session, follow these steps:

- 
- Step 1** Configure destination ports in access or trunk mode, and enable SPAN monitoring.

```
switch# config t
switch(config)# interface ethernet 3/1
switch(config-if)# switchport
switch(config-if)# switchport mode trunk
switch(config-if)# switchport trunk allowed vlan add 100-200
```

***Send document comments to [nexus7k-docfeedback@cisco.com](mailto:nexus7k-docfeedback@cisco.com).***

```
switch(config-if)# switchport monitor
switch(config-if)# no shut
switch(config-if)# exit
switch(config)# interface ethernet 3/2
switch(config-if)# switchport
switch(config-if)# switchport mode trunk
switch(config-if)# switchport trunk allowed vlan add 201-300
switch(config-if)# switchport monitor
switch(config-if)# no shut
switch(config-if)# exit
switch(config)#
```

**Step 2** Configure a SPAN session.

```
switch(config)# no monitor session 3
switch(config)# monitor session 3
switch(config-monitor)# source vlan 100-300
switch(config-monitor)# destination interface ethernet 3/1-2
switch(config-monitor)# no shut
switch(config-monitor)# exit
switch(config)# show monitor session 3
switch(config)# copy running-config startup-config
```

## Configuration Example for a SPAN Session with a Private VLAN Source

To configure a SPAN session that includes a private VLAN source, follow these steps:

**Step 1** Configure source VLANs.

```
switch# config t
switch(config)# vlan 100
switch(config-vlan)# private-vlan primary
switch(config-vlan)# exit
switch(config)# interface ethernet 3/1
switch(config-if)# switchport
switch(config-if)# switchport access vlan 100
switch(config-if)# no shut
switch(config-if)# exit
switch(config)# interface ethernet 3/2
switch(config-if)# switchport
switch(config-if)# switchport mode trunk
switch(config-if)# switchport trunk native vlan 100
switch(config-if)# no shut
switch(config-if)# exit
switch(config)#
```

**Step 2** Configure destination ports in access or trunk mode, and enable SPAN monitoring.

```
switch# config t
switch(config)# interface ethernet 3/3
switch(config-if)# switchport
switch(config-if)# switchport mode trunk
switch(config-if)# switchport trunk allowed vlan add 100-200
switch(config-if)# switchport monitor
switch(config-if)# no shut
switch(config-if)# exit
switch(config)#
```

***Send document comments to [nexus7k-docfeedback@cisco.com](mailto:nexus7k-docfeedback@cisco.com).***

**Step 3** Configure a SPAN session.

```
switch(config)# no monitor session 3
switch(config)# monitor session 3
switch(config-monitor)# source vlan 100
switch(config-monitor)# destination interface ethernet 3/3
switch(config-monitor)# no shut
switch(config-monitor)# exit
switch(config)# show monitor session 3
switch(config)# copy running-config startup-config
```

## Additional References

For additional information related to implementing SPAN, see the following sections:

- [Related Documents, page 16-23](#)
- [Standards, page 16-23](#)

## Related Documents

| Related Topic                                                                                                    | Document Title                                                                               |
|------------------------------------------------------------------------------------------------------------------|----------------------------------------------------------------------------------------------|
| VDCs                                                                                                             | <i>Cisco Nexus 7000 Series NX-OS Virtual Device Context Configuration Guide, Release 5.x</i> |
| Fabric Extender                                                                                                  | <i>Configuring the Cisco Nexus 2000 Series Fabric Extender</i>                               |
| SPAN commands: complete command syntax, command modes, command history, defaults, usage guidelines, and examples | <i>Cisco Nexus 7000 Series NX-OS System Management Command Reference</i>                     |

## Standards

| Standards                                                                                                                             | Title |
|---------------------------------------------------------------------------------------------------------------------------------------|-------|
| No new or modified standards are supported by this feature, and support for existing standards has not been modified by this feature. | —     |

***Send document comments to [nexus7k-docfeedback@cisco.com](mailto:nexus7k-docfeedback@cisco.com).***

## Feature History for SPAN

Table 16-3 lists the release history for this feature.

**Table 16-3** Feature History for SPAN

| Feature Name               | Releases | Feature Information                                                                                                             |
|----------------------------|----------|---------------------------------------------------------------------------------------------------------------------------------|
| SPAN                       | 5.2(1)   | Added SPAN source support for Cisco Nexus 2000 Series Fabric Extender interfaces.                                               |
| SPAN                       | 5.2(1)   | Added the ability to configure MTU truncation, the source rate limit, and the multicast best effort mode for each SPAN session. |
| SPAN                       | 5.1(1)   | Added support for F1 Series modules and increased the number of supported SPAN sessions from 18 to 48.                          |
| SPAN                       | 5.0(2)   | No change from Release 4.2.                                                                                                     |
| SPAN                       | 4.2(1)   | No change from Release 4.1.                                                                                                     |
| Guidelines and Limitations | 4.1(3)   | Added a table of SPAN session limits. See <a href="#">Table 1 on page 16-5</a> .                                                |



## CHAPTER 17

# Configuring ERSPAN

---

This chapter describes how to configure an encapsulated remote switched port analyzer (ERSPAN) to transport mirrored traffic in an IP network on Cisco NX-OS devices.

This chapter includes the following sections:

- [Information About ERSPAN, page 17-1](#)
- [Licensing Requirements for ERSPAN, page 17-4](#)
- [Prerequisites for ERSPAN, page 17-4](#)
- [Guidelines and Limitations, page 17-4](#)
- [Default Settings, page 17-5](#)
- [Configuring ERSPAN, page 17-6](#)
- [Verifying the ERSPAN Configuration, page 17-15](#)
- [Configuration Examples for ERSPAN, page 17-15](#)
- [Additional References, page 17-17](#)
- [Feature History for ERSPAN, page 17-18](#)

## Information About ERSPAN

ERSPAN transports mirrored traffic over an IP network. The traffic is encapsulated at the source router and is transferred across the network. The packet is decapsulated at the destination router and then sent to the destination interface.

ERSPAN consists of an ERSPAN source session, routable ERSPAN generic routing encapsulation (GRE)-encapsulated traffic, and an ERSPAN destination session. You separately configure ERSPAN source sessions and destination sessions on different switches.

This section includes the following topics:

- [ERSPAN Sources, page 17-2](#)
- [ERSPAN Destinations, page 17-2](#)
- [ERSPAN Sessions, page 17-2](#)
- [Multiple ERSPAN Sessions, page 17-3](#)
- [High Availability, page 17-3](#)
- [Virtualization Support, page 17-3](#)

***Send document comments to [nexus7k-docfeedback@cisco.com](mailto:nexus7k-docfeedback@cisco.com).***

## ERSPAN Sources

The interfaces from which traffic can be monitored are called ERSPAN sources. Sources designate the traffic to monitor and whether to copy ingress, egress, or both directions of traffic. ERSPAN sources include the following:

- Ethernet ports and port channels
- The inband interface to the control plane CPU—You can monitor the inband interface only from the default VDC. Inband traffic from all VDCs is monitored.
- VLANs—When a VLAN is specified as an ERSPAN source, all supported interfaces in the VLAN are ERSPAN sources.
- Fabric port channels connected to the Cisco Nexus 2000 Series Fabric Extender
- Satellite ports and host interface port channels on the Cisco Nexus 2000 Series Fabric Extender—These interfaces are supported in Layer 2 access mode, Layer 2 trunk mode, and Layer 3 mode.




---

**Note** Layer 3 subinterfaces are not supported.

---




---

**Note** A single ERSPAN session can include mixed sources in any combination of the above.

---

ERSPAN source ports have the following characteristics:

- A port configured as a source port cannot also be configured as a destination port.
- ERSPAN does not monitor any packets that are generated by the supervisor, regardless of their source.

## ERSPAN Destinations

Destination ports receive the copied traffic from ERSPAN sources.

ERSPAN destination ports have the following characteristics:

- Destinations for an ERSPAN session include Ethernet ports or port-channel interfaces in either access or trunk mode.
- A port configured as a destination port cannot also be configured as a source port.
- A destination port can be configured in only one ERSPAN session at a time.
- Destination ports do not participate in any spanning tree instance or any Layer 3 protocols.
- Ingress and ingress learning options are not supported on monitor destination ports.
- F1 Series module core ports, Fabric Extender HIF ports, HIF port channels, and Fabric PO ports are not supported as SPAN destination ports.

## ERSPAN Sessions

You can create ERSPAN sessions that designate sources and destinations to monitor.

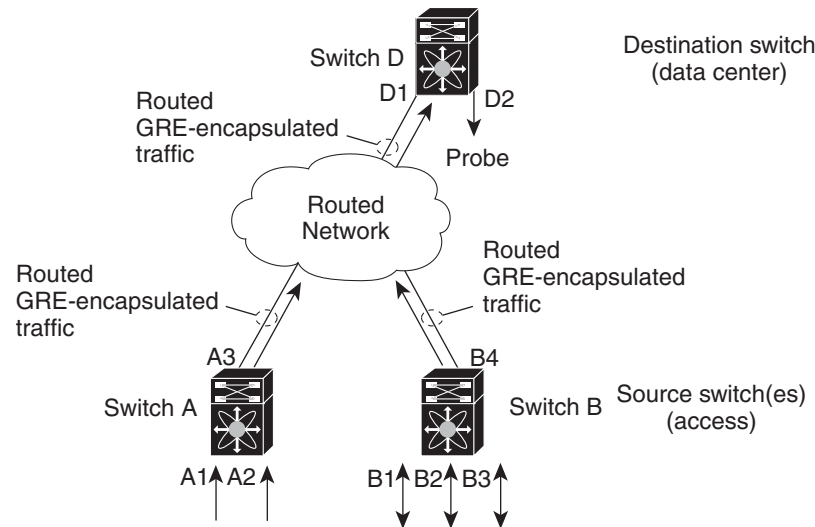
**Send document comments to [nexus7k-docfeedback@cisco.com](mailto:nexus7k-docfeedback@cisco.com).**

**Note**

Only two ERSPAN or SPAN source sessions can run simultaneously across all VDCs. Only 23 ERSPAN destination sessions can run simultaneously across all VDCs.

Figure 17-1 shows an ERSPAN configuration.

**Figure 17-1 ERSPAN Configuration**



## Multiple ERSPAN Sessions

Although you can define up to 48 ERSPAN sessions, only two ERSPAN or SPAN sessions can be running simultaneously. You can shut down an unused ERSPAN session.

For information about shutting down ERSPAN sessions, see the [“Shutting Down or Activating an ERSPAN Session”](#) section on page 17-12.

## High Availability

The ERSPAN feature supports stateless and stateful restarts. After a reboot or supervisor switchover, the running configuration is applied.

For more information on high availability, see the *Cisco Nexus 7000 Series NX-OS High Availability and Redundancy Guide, Release 5.x*.

## Virtualization Support

A virtual device context (VDC) is a logical representation of a set of system resources. ERSPAN applies only to the VDC where the commands are entered.

**Note**

You can monitor the inband interface only from the default VDC. Inband traffic from all VDCs is monitored.

***Send document comments to [nexus7k-docfeedback@cisco.com](mailto:nexus7k-docfeedback@cisco.com).***

For information about configuring VDCs, see the *Cisco Nexus 7000 Series NX-OS Virtual Device Context Configuration Guide, Release 5.x*.

## Licensing Requirements for ERSPAN

The following table shows the licensing requirements for this feature:

| Product     | License Requirement                                                                                                                                                                                                                                                             |
|-------------|---------------------------------------------------------------------------------------------------------------------------------------------------------------------------------------------------------------------------------------------------------------------------------|
| Cisco NX-OS | ERSPAN requires no license. Any feature not included in a license package is bundled with the Cisco NX-OS system images and is provided at no extra charge to you. For a complete explanation of the Cisco NX-OS licensing scheme, see the <i>Cisco NX-OS Licensing Guide</i> . |

## Prerequisites for ERSPAN

ERSPAN has the following prerequisite:

- You must first configure the ports on each device to support the desired ERSPAN configuration. For more information, see the *Cisco Nexus 7000 Series NX-OS Interfaces Configuration Guide, Release 5.x*.

## Guidelines and Limitations

ERSPAN has the following configuration guidelines and limitations:

- For ERSPAN session limits, see the *Cisco Nexus 7000 Series NX-OS Verified Scalability Guide*.
- All ERSPAN replication is performed in the hardware. The supervisor CPU is not involved.
- ERSPAN and ERSPAN ACLs are not supported on F1 Series modules.
- The encapsulation or decapsulation of generic routing encapsulation (GRE) or ERSPAN packets received on an F1 Series module is not supported.
- ERSPAN and ERSPAN ACLs are not supported for packets generated by the supervisor.



***Send document comments to [nexus7k-docfeedback@cisco.com](mailto:nexus7k-docfeedback@cisco.com).***

- ERSPAN and ERSPAN ACL sessions are terminated identically at the destination router.
- ERSPAN is not supported for management ports.
- A destination port can be configured in only one ERSPAN session at a time.
- You cannot configure a port as both a source and destination port.
- A single ERSPAN session can include mixed sources in any combination of the following:
  - Ethernet ports or port channels but not subinterfaces
  - VLANs or port channels, which can be assigned to port channel subinterfaces
  - The inband interface or port channels to the control plane CPU



---

**Note** ERSPAN does not monitor any packets that are generated by the supervisor, regardless of their source.

---

- Destination ports do not participate in any spanning tree instance or Layer 3 protocols.
- When an ERSPAN session contains source ports that are monitored in the transmit or transmit and receive direction, packets that these ports receive may be replicated to the ERSPAN destination port even though the packets are not actually transmitted on the source ports. Some examples of this behavior on source ports include:
  - Traffic that results from flooding
  - Broadcast and multicast traffic
- For VLAN ERSPAN sessions with both ingress and egress configured, two packets (one from ingress and one from egress) are forwarded from the destination port if the packets get switched on the same VLAN.
- VLAN ERSPAN monitors only the traffic that leaves or enters Layer 2 ports in the VLAN.
- You can monitor the inband interface only from the default VDC. Inband traffic from all VDCs is monitored.
- Beginning with Cisco NX-OS Release 5.2, the Cisco Nexus 2000 Series Fabric Extender interfaces and the fabric port channels connected to the Cisco Nexus 2000 Series Fabric Extender can be configured as ERSPAN sources. However, they cannot be configured as ERSPAN destinations.



---

**Note** ERSPAN on Fabric Extender interfaces and fabric port channels is supported on the 32-port, 10-Gigabit M1 and M1 XL modules (N7K-M132XP-12 and N7K-M132XP-12L). ERSPAN runs on the Cisco Nexus 7000 Series device, not on the Fabric Extender.

---

- ERSPAN is supported on Fabric Extender interfaces in Layer 2 access mode, Layer 2 trunk mode, and Layer 3 mode. Layer 3 subinterfaces are not supported.
- Multicast best effort mode applies only to M1 Series modules.
- If ERSPAN is enabled on a vPC and ERSPAN packets need to be routed to the destination through the vPC, packets coming through the vPC peer-link cannot be captured.

## Default Settings

Table 17-1 lists the default settings for ERSPAN parameters.

[Send document comments to nexus7k-docfeedback@cisco.com.](mailto:nexus7k-docfeedback@cisco.com)

**Table 17-2** Default ERSPAN Parameters

| Parameters                 | Default                   |
|----------------------------|---------------------------|
| ERSPAN sessions            | Created in the shut state |
| Multicast best effort mode | Disabled                  |

## Configuring ERSPAN

This section includes the following topics:

- [Configuring an ERSPAN Source Session, page 17-6](#)
- [Configuring an ERSPAN Destination Session, page 17-9](#)
- [Shutting Down or Activating an ERSPAN Session, page 17-12](#)
- [Configuring the Multicast Best Effort Mode for an ERSPAN Session, page 17-14](#)

### Configuring an ERSPAN Source Session

You can configure an ERSPAN session on the local device only. By default, ERSPAN sessions are created in the shut state.

For sources, you can specify Ethernet ports, port channels, the supervisor inband interface, and VLANs. A single ERSPAN session can include mixed sources in any combination of Ethernet ports, VLANs, or the inband interface to the control plane CPU.



#### Note

ERSPAN does not monitor any packets that are generated by the supervisor, regardless of their source.

#### BEFORE YOU BEGIN

Ensure that you are in the correct VDC. To switch VDCs, use the **switchto vdc** command. For more information, see the *Cisco Nexus 7000 Series NX-OS Virtual Device Context Configuration Guide, Release 5.x*.

#### SUMMARY STEPS

1. **config t**
2. **monitor erspan origin ip-address ip-address global**
3. **no monitor session {session-number | all}**
4. **monitor session {session-number | all} type erspan-source**
5. **description description**
6. **source {[interface [type slot/port[-port]][, type slot/port[-port]]] [port-channel channel-number] | [vlan {number | range}]} [rx | tx | both]**
7. (Optional) Repeat Step 6 to configure all ERSPAN sources.
8. (Optional) **filter vlan {number | range}**
9. (Optional) Repeat Step 8 to configure all source VLANs to filter.

***Send document comments to [nexus7k-docfeedback@cisco.com](mailto:nexus7k-docfeedback@cisco.com).***

10. (Optional) **filter access-group** *acl-filter*
11. **destination ip** *ip-address*
12. **erspan-id** *erspan-id*
13. **vrf** *vrf-name*
14. (Optional) **ip ttl** *tll-number*
15. (Optional) **ip dscp** *dscp-number*
16. **no shut**
17. (Optional) **show monitor session** {**all** | *session-number* | **range** *session-range*}
18. (Optional) **show running-config monitor**
19. (Optional) **show startup-config monitor**
20. (Optional) **copy running-config startup-config**

## DETAILED STEPS

|        | Command                                                                                                                                                                       | Purpose                                                                                                                                                                                                                                                                                        |
|--------|-------------------------------------------------------------------------------------------------------------------------------------------------------------------------------|------------------------------------------------------------------------------------------------------------------------------------------------------------------------------------------------------------------------------------------------------------------------------------------------|
| Step 1 | <b>config t</b><br><br><b>Example:</b><br>switch# config t<br>switch(config)#                                                                                                 | Enters global configuration mode.                                                                                                                                                                                                                                                              |
| Step 2 | <b>monitor erspan origin ip-address ip-address global</b><br><br><b>Example:</b><br>switch(config)# monitor erspan origin ip-address 10.0.0.1 global                          | Configures the ERSPAN global origin IP address.<br><br><b>Note</b> The global origin IP address can be configured only in the default VDC. The value that is configured in the default VDC is valid across all VDCs. Any change made in the default VDC is applied across all nondefault VDCs. |
| Step 3 | <b>no monitor session {session-number   all}</b><br><br><b>Example:</b><br>switch(config)# no monitor session 3                                                               | Clears the configuration of the specified ERSPAN session. The new session configuration is added to the existing session configuration.                                                                                                                                                        |
| Step 4 | <b>monitor session {session-number   all} type erspan-source</b><br><br><b>Example:</b><br>switch(config)# monitor session 3 type erspan-source<br>switch(config-erspan-src)# | Configures an ERSPAN source session.                                                                                                                                                                                                                                                           |
| Step 5 | <b>description description</b><br><br><b>Example:</b><br>switch(config-erspan-src)# description erspan_src_session_3                                                          | Configures a description for the session. By default, no description is defined. The description can be up to 32 alphanumeric characters.                                                                                                                                                      |

**Send document comments to [nexus7k-docfeedback@cisco.com](mailto:nexus7k-docfeedback@cisco.com).**

|                | Command                                                                                                                                                                                                                                                                                                                                                                                                                                                                                                                                                                                                                                       | Purpose                                                                                                                                                                                                                                                                                                                                                                                                                                                                                                                                                                                                                                                                                                                                                                                                                                                             |
|----------------|-----------------------------------------------------------------------------------------------------------------------------------------------------------------------------------------------------------------------------------------------------------------------------------------------------------------------------------------------------------------------------------------------------------------------------------------------------------------------------------------------------------------------------------------------------------------------------------------------------------------------------------------------|---------------------------------------------------------------------------------------------------------------------------------------------------------------------------------------------------------------------------------------------------------------------------------------------------------------------------------------------------------------------------------------------------------------------------------------------------------------------------------------------------------------------------------------------------------------------------------------------------------------------------------------------------------------------------------------------------------------------------------------------------------------------------------------------------------------------------------------------------------------------|
| <b>Step 6</b>  | <pre>source {[interface [type slot/port[-port][, type slot/port[-port]]] [port-channel channel-number]]   [vlan {number   range}]} [rx   tx   both]</pre> <p><b>Example 1:</b><br/>switch(config-erspan-src)# source<br/>interface ethernet 2/1-3, ethernet 3/1 rx</p> <p><b>Example 2:</b><br/>switch(config-erspan-src)# source<br/>interface port-channel 2</p> <p><b>Example 3:</b><br/>switch(config-erspan-src)# source<br/>interface sup-eth 0 both</p> <p><b>Example 4:</b><br/>switch(config-erspan-src)# source vlan 3,<br/>6-8 tx</p> <p><b>Example 5:</b><br/>switch(config-monitor)# source interface<br/>ethernet 101/1/1-3</p> | <p>Configures the sources and traffic direction in which to copy packets. You can enter a range of Ethernet ports, a port channel, an inband interface, a range of VLANs, a Cisco Nexus 2000 Series Fabric Extender interface, or a fabric port channel connected to a Cisco Nexus 2000 Series Fabric Extender.</p> <p>You can configure one or more sources, as either a series of comma-separated entries or a range of numbers. You can specify up to 128 interfaces. For information on the VLAN range, see the <i>Cisco Nexus 7000 Series NX-OS Layer 2 Switching Configuration Guide, Release 5.x</i>.</p> <p>You can specify the traffic direction to copy as ingress, egress, or both. The default direction is both.</p> <p><b>Note</b> You can monitor the inband interface only from the default VDC. The inband traffic from all VDCs is monitored.</p> |
| <b>Step 7</b>  | (Optional) Repeat Step 6 to configure all ERSPAN sources.                                                                                                                                                                                                                                                                                                                                                                                                                                                                                                                                                                                     | —                                                                                                                                                                                                                                                                                                                                                                                                                                                                                                                                                                                                                                                                                                                                                                                                                                                                   |
| <b>Step 8</b>  | <pre>filter vlan {number   range}</pre> <p><b>Example:</b><br/>switch(config-erspan-src)# filter vlan<br/>3-5, 7</p>                                                                                                                                                                                                                                                                                                                                                                                                                                                                                                                          | (Optional) Configures which VLANs to select from the configured sources. You can configure one or more VLANs, as either a series of comma-separated entries or a range of numbers. For information on the VLAN range, see the <i>Cisco Nexus 7000 Series NX-OS Layer 2 Switching Configuration Guide, Release 5.x</i> .                                                                                                                                                                                                                                                                                                                                                                                                                                                                                                                                             |
| <b>Step 9</b>  | (Optional) Repeat Step 8 to configure all source VLANs to filter.                                                                                                                                                                                                                                                                                                                                                                                                                                                                                                                                                                             | —                                                                                                                                                                                                                                                                                                                                                                                                                                                                                                                                                                                                                                                                                                                                                                                                                                                                   |
| <b>Step 10</b> | <pre>filter access-group acl-filter</pre> <p><b>Example:</b><br/>switch(config-erspan-src)# filter<br/>access-group ACL1</p>                                                                                                                                                                                                                                                                                                                                                                                                                                                                                                                  | (Optional) Associates an ACL with the ERSPAN session.                                                                                                                                                                                                                                                                                                                                                                                                                                                                                                                                                                                                                                                                                                                                                                                                               |
| <b>Step 11</b> | <pre>destination ip ip-address</pre> <p><b>Example:</b><br/>switch(config-erspan-src)# destination ip<br/>10.1.1.1</p>                                                                                                                                                                                                                                                                                                                                                                                                                                                                                                                        | <p>Configures the destination IP address in the ERSPAN session. Only one destination IP address is supported per ERSPAN source session.</p> <p><b>Note</b> The Cisco Nexus 2000 Series Fabric Extender interfaces and the fabric port channels connected to the Cisco Nexus 2000 Series Fabric Extender cannot be configured as SPAN destinations.</p>                                                                                                                                                                                                                                                                                                                                                                                                                                                                                                              |

**Send document comments to [nexus7k-docfeedback@cisco.com](mailto:nexus7k-docfeedback@cisco.com).**

|         | Command                                                                                                                                                                            | Purpose                                                                                                                                                                    |
|---------|------------------------------------------------------------------------------------------------------------------------------------------------------------------------------------|----------------------------------------------------------------------------------------------------------------------------------------------------------------------------|
| Step 12 | <b>erspan-id</b> <i>erspan-id</i><br><br><b>Example:</b><br>switch(config-erspan-src)# erspan-id 5                                                                                 | Configures the ERSPAN ID for the ERSPAN session. The ERSPAN range is from 1 to 1023.                                                                                       |
| Step 13 | <b>vrf</b> <i>vrf-name</i><br><br><b>Example:</b><br>switch(config-erspan-src)# vrf default                                                                                        | Configures the VRF that the ERSPAN source session uses for traffic forwarding.                                                                                             |
| Step 14 | <b>ip ttl</b> <i>tll-number</i><br><br><b>Example:</b><br>switch(config-erspan-src)# ip ttl 25                                                                                     | (Optional) Configures the IP time-to-live (TTL) value for the ERSPAN traffic. The range is from 1 to 255.                                                                  |
| Step 15 | <b>ip dscp</b> <i>dscp-number</i><br><br><b>Example:</b><br>switch(config-erspan-src)# ip dscp 42                                                                                  | (Optional) Configures the differentiated services code point (DSCP) value of the packets in the ERSPAN traffic. The range is from 0 to 63.                                 |
| Step 16 | <b>no shut</b><br><br><b>Example:</b><br>switch(config-erspan-src)# no shut                                                                                                        | Enables the ERSPAN source session. By default, the session is created in the shut state.<br><br><b>Note</b> Only two ERSPAN source sessions can be running simultaneously. |
| Step 17 | <b>show monitor session</b> { <b>all</b>   <i>session-number</i>   <b>range</b> <i>session-range</i> }<br><br><b>Example:</b><br>switch(config-erspan-src)# show monitor session 3 | (Optional) Displays the ERSPAN session configuration.                                                                                                                      |
| Step 18 | <b>show running-config monitor</b><br><br><b>Example:</b><br>switch(config-erspan-src)# show running-config monitor                                                                | (Optional) Displays the running ERSPAN configuration.                                                                                                                      |
| Step 19 | <b>show startup-config monitor</b><br><br><b>Example:</b><br>switch(config-erspan-src)# show startup-config monitor                                                                | (Optional) Displays the ERSPAN startup configuration.                                                                                                                      |
| Step 20 | <b>copy running-config startup-config</b><br><br><b>Example:</b><br>switch(config-erspan-src)# copy running-config startup-config                                                  | (Optional) Copies the running configuration to the startup configuration.                                                                                                  |

## Configuring an ERSPAN Destination Session

You can configure an ERSPAN destination session to copy packets from a source IP address to destination ports on the local device. By default, ERSPAN destination sessions are created in the shut state.

### BEFORE YOU BEGIN

Ensure that you are in the correct VDC (or use the **switchto vdc** command).

## Send document comments to [nexus7k-docfeedback@cisco.com](mailto:nexus7k-docfeedback@cisco.com).

Ensure that you have already configured the destination ports in monitor mode. For more information, see the *Cisco Nexus 7000 Series NX-OS Interfaces Configuration Guide, Release 5.x*.

### SUMMARY STEPS

1. **config t**
2. **interface ethernet** *slot/port[-port]*
3. **switchport**
4. **switchport mode** [access | trunk]
5. **switchport monitor**
6. (Optional) Repeat Steps 2 to 5 to configure monitoring on additional ERSPAN destinations.
7. **no monitor session** {*session-number* | all}
8. **monitor session** {*session-number* | all} **type erspan-destination**
9. **description** *description*
10. **source ip** *ip-address*
11. **destination** {[**interface** [*type slot/port[-port]* [, *type slot/port[-port]*]] | [**port-channel** *channel-number*]}
12. (Optional) Repeat Step 11 to configure all ERSPAN destination ports.
13. **erspan-id** *erspan-id*
14. **vrf** *vrf-name*
15. **no shut**
16. (Optional) **show monitor session** {all | *session-number* | **range** *session-range*}
17. (Optional) **show running-config monitor**
18. (Optional) **show startup-config monitor**
19. (Optional) **copy running-config startup-config**

### DETAILED STEPS

|        | Command                                                                                                                                  | Purpose                                                                              |
|--------|------------------------------------------------------------------------------------------------------------------------------------------|--------------------------------------------------------------------------------------|
| Step 1 | <b>config t</b><br><br><b>Example:</b><br>switch# config t<br>switch(config)#                                                            | Enters global configuration mode.                                                    |
| Step 2 | <b>interface ethernet</b> <i>slot/port[-port]</i><br><br><b>Example:</b><br>switch(config)# interface ethernet 2/5<br>switch(config-if)# | Enters interface configuration mode on the selected slot and port or range of ports. |
| Step 3 | <b>switchport</b><br><br><b>Example:</b><br>switch(config-if)# switchport                                                                | Configures switchport parameters for the selected slot and port or range of ports.   |

**Send document comments to [nexus7k-docfeedback@cisco.com](mailto:nexus7k-docfeedback@cisco.com).**

|         | Command                                                                                                                                                                                                                                   | Purpose                                                                                                                                                                                                                                                                                                                            |
|---------|-------------------------------------------------------------------------------------------------------------------------------------------------------------------------------------------------------------------------------------------|------------------------------------------------------------------------------------------------------------------------------------------------------------------------------------------------------------------------------------------------------------------------------------------------------------------------------------|
| Step 4  | <p><b>switchport mode</b> [access   trunk]</p> <p><b>Example:</b><br/>switch(config-if)# switchport mode trunk</p>                                                                                                                        | <p>Configures the following switchport modes for the selected slot and port or range of ports:</p> <ul style="list-style-type: none"> <li>• access</li> <li>• trunk</li> </ul>                                                                                                                                                     |
| Step 5  | <p><b>switchport monitor</b></p> <p><b>Example:</b><br/>switch(config-if)# switchport monitor</p>                                                                                                                                         | Configures the switchport interface as an ERSPAN destination.                                                                                                                                                                                                                                                                      |
| Step 6  | (Optional) Repeat Steps 2 to 5 to configure monitoring on additional ERSPAN destinations.                                                                                                                                                 | —                                                                                                                                                                                                                                                                                                                                  |
| Step 7  | <p><b>no monitor session</b> {session-number   all}</p> <p><b>Example:</b><br/>switch(config-if)# no monitor session 3</p>                                                                                                                | Clears the configuration of the specified ERSPAN session. The new session configuration is added to the existing session configuration.                                                                                                                                                                                            |
| Step 8  | <p><b>monitor session</b> {session-number   all}<br/><b>type erspan-destination</b></p> <p><b>Example:</b><br/>switch(config-if)# monitor session 3 type<br/>erspan-destination<br/>switch(config-erspan-dst)#</p>                        | Configures an ERSPAN destination session.                                                                                                                                                                                                                                                                                          |
| Step 9  | <p><b>description</b> description</p> <p><b>Example:</b><br/>switch(config-erspan-dst)# description<br/>erspan_dst_session_3</p>                                                                                                          | Configures a description for the session. By default, no description is defined. The description can be up to 32 alphanumeric characters.                                                                                                                                                                                          |
| Step 10 | <p><b>source ip</b> ip-address</p> <p><b>Example:</b><br/>switch(config-erspan-dst)# source ip<br/>10.1.1.1</p>                                                                                                                           | Configures the source IP address in the ERSPAN session. Only one source IP address is supported per ERSPAN destination session.                                                                                                                                                                                                    |
| Step 11 | <p><b>destination</b> {[interface [type<br/>slot/port[-port][, type slot/port[-port]]]<br/>[port-channel channel-number]]}</p> <p><b>Example:</b><br/>switch(config-erspan-dst)# destination<br/>interface ethernet 2/5, ethernet 3/7</p> | <p>Configures a destination for copied source packets. You can configure one or more interfaces as a series of comma-separated entries.</p> <p><b>Note</b> You can configure destination ports as trunk ports. For more information, see the <i>Cisco Nexus 7000 Series NX-OS Interfaces Configuration Guide, Release 5.x</i>.</p> |
| Step 12 | (Optional) Repeat Step 11 to configure all ERSPAN destinations.                                                                                                                                                                           | —                                                                                                                                                                                                                                                                                                                                  |
| Step 13 | <p><b>erspan-id</b> erspan-id</p> <p><b>Example:</b><br/>switch(config-erspan-dst)# erspan-id 5</p>                                                                                                                                       | Configures the ERSPAN ID for the ERSPAN session. The range is from 1 to 1023.                                                                                                                                                                                                                                                      |
| Step 14 | <p><b>vrf</b> vrf-name</p> <p><b>Example:</b><br/>switch(config-erspan-dst)# vrf default</p>                                                                                                                                              | Configures the VRF that the ERSPAN destination session uses for traffic forwarding.                                                                                                                                                                                                                                                |

**Send document comments to [nexus7k-docfeedback@cisco.com](mailto:nexus7k-docfeedback@cisco.com).**

|         | Command                                                                                                                                   | Purpose                                                                                                                                                                                         |
|---------|-------------------------------------------------------------------------------------------------------------------------------------------|-------------------------------------------------------------------------------------------------------------------------------------------------------------------------------------------------|
| Step 15 | <b>no shut</b><br><br><b>Example:</b><br>switch(config)# no shut                                                                          | Enables the ERSPAN destination session. By default, the session is created in the shut state.<br><br><b>Note</b> Only 23 ERSPAN destination sessions across VDCs can be running simultaneously. |
| Step 16 | <b>show monitor session</b> {all   session-number   range session-range}<br><br><b>Example:</b><br>switch(config)# show monitor session 3 | (Optional) Displays the ERSPAN session configuration.                                                                                                                                           |
| Step 17 | <b>show running-config monitor</b><br><br><b>Example:</b><br>switch(config)# show running-config monitor                                  | (Optional) Displays the running ERSPAN configuration.                                                                                                                                           |
| Step 18 | <b>show startup-config monitor</b><br><br><b>Example:</b><br>switch(config)# show startup-config monitor                                  | (Optional) Displays the ERSPAN startup configuration.                                                                                                                                           |
| Step 19 | <b>copy running-config startup-config</b><br><br><b>Example:</b><br>switch(config)# copy running-config startup-config                    | (Optional) Copies the running configuration to the startup configuration.                                                                                                                       |

## Shutting Down or Activating an ERSPAN Session

You can shut down ERSPAN sessions to discontinue the copying of packets from sources to destinations. Because only two ERSPAN sessions can be running simultaneously, you can shut down one session in order to free hardware resources to enable another session. By default, ERSPAN sessions are created in the shut state.

You can enable ERSPAN sessions to activate the copying of packets from sources to destinations. To enable an ERSPAN session that is already enabled but operationally down, you must first shut it down and then enable it. You can shut down and enable the ERSPAN session states with either a global or monitor configuration mode command.

### BEFORE YOU BEGIN

Ensure that you are in the correct VDC (or use the **switchto vdc** command).

### SUMMARY STEPS

1. **config t**
2. **monitor session** {session-range | all} **shut**
3. **no monitor session** {session-range | all} **shut**
4. **monitor session** session-number **type** erspan-source
5. **monitor session** session-number **type** erspan-destination
6. **shut**
7. **no shut**



**Send document comments to [nexus7k-docfeedback@cisco.com](mailto:nexus7k-docfeedback@cisco.com).**

8. (Optional) **show monitor session all**
9. (Optional) **show running-config monitor**
10. (Optional) **show startup-config monitor**
11. (Optional) **copy running-config startup-config**

## DETAILED STEPS

|        | Command                                                                                                                                                               | Purpose                                                                                                                                                                                                                                                                                                                                                                                                                       |
|--------|-----------------------------------------------------------------------------------------------------------------------------------------------------------------------|-------------------------------------------------------------------------------------------------------------------------------------------------------------------------------------------------------------------------------------------------------------------------------------------------------------------------------------------------------------------------------------------------------------------------------|
| Step 1 | <b>config t</b><br><br><b>Example:</b><br>switch# config t<br>switch(config)#                                                                                         | Enters global configuration mode.                                                                                                                                                                                                                                                                                                                                                                                             |
| Step 2 | <b>monitor session {session-range   all} shut</b><br><br><b>Example:</b><br>switch(config)# monitor session 3 shut                                                    | Shuts down the specified ERSPAN sessions. The session range is from 1 to 48. By default, sessions are created in the shut state. Only two sessions can be running at a time.                                                                                                                                                                                                                                                  |
| Step 3 | <b>no monitor session {session-range   all} shut</b><br><br><b>Example:</b><br>switch(config)# no monitor session 3 shut                                              | Resumes (enables) the specified ERSPAN sessions. The session range is from 1 to 48. By default, sessions are created in the shut state. Only two sessions can be running at a time.<br><br><b>Note</b> If a monitor session is enabled but its operational status is down, then to enable the session, you must first specify the <b>monitor session shut</b> command followed by the <b>no monitor session shut</b> command. |
| Step 4 | <b>monitor session session-number type erspan-source</b><br><br><b>Example:</b><br>switch(config)# monitor session 3 type erspan-source<br>switch(config-erspan-src)# | Enters the monitor configuration mode for the ERSPAN source type. The new session configuration is added to the existing session configuration.                                                                                                                                                                                                                                                                               |
| Step 5 | <b>monitor session session-number type erspan-destination</b><br><br><b>Example:</b><br>switch(config-erspan-src)# monitor session 3 type erspan-destination          | Enters the monitor configuration mode for the ERSPAN destination type.                                                                                                                                                                                                                                                                                                                                                        |
| Step 6 | <b>shut</b><br><br><b>Example:</b><br>switch(config-erspan-src)# shut                                                                                                 | Shuts down the ERSPAN session. By default, the session is created in the shut state.                                                                                                                                                                                                                                                                                                                                          |
| Step 7 | <b>no shut</b><br><br><b>Example:</b><br>switch(config-erspan-src)# no shut                                                                                           | Enables the ERSPAN session. By default, the session is created in the shut state.<br><br><b>Note</b> Only two ERSPAN sessions can be running simultaneously.                                                                                                                                                                                                                                                                  |

**Send document comments to [nexus7k-docfeedback@cisco.com](mailto:nexus7k-docfeedback@cisco.com).**

|         | Command                                                                                                                           | Purpose                                                                   |
|---------|-----------------------------------------------------------------------------------------------------------------------------------|---------------------------------------------------------------------------|
| Step 8  | <b>show monitor session all</b><br><br><b>Example:</b><br>switch(config-erspan-src)# show monitor session all                     | (Optional) Displays the status of ERSPAN sessions.                        |
| Step 9  | <b>show running-config monitor</b><br><br><b>Example:</b><br>switch(config-erspan-src)# show running-config monitor               | (Optional) Displays the ERSPAN running configuration.                     |
| Step 10 | <b>show startup-config monitor</b><br><br><b>Example:</b><br>switch(config-erspan-src)# show startup-config monitor               | (Optional) Displays the ERSPAN startup configuration.                     |
| Step 11 | <b>copy running-config startup-config</b><br><br><b>Example:</b><br>switch(config-erspan-src)# copy running-config startup-config | (Optional) Copies the running configuration to the startup configuration. |

## Configuring the Multicast Best Effort Mode for an ERSPAN Session

You can configure the multicast best effort mode for any ERSPAN session. By default, ERSPAN replication occurs on both the ingress and egress line card. When you enable the multicast best effort mode, ERSPAN replication occurs only on the ingress line card for multicast traffic or on the egress line card for packets egressing out of Layer 3 interfaces (that is, on the egress line card, packets egressing out of Layer 2 interfaces are not replicated for ERSPAN).

### BEFORE YOU BEGIN

Ensure that you are in the correct VDC (or use the **switchto vdc** command).

### SUMMARY STEPS

1. **config t**
2. **monitor session *session-number***
3. **[no] multicast best-effort**
4. (Optional) **show monitor *session-number***
5. (Optional) **copy running-config startup-config**

***Send document comments to [nexus7k-docfeedback@cisco.com](mailto:nexus7k-docfeedback@cisco.com).***

## DETAILED STEPS

|        | Command                                                                                                                        | Purpose                                                                                                                                                                                        |
|--------|--------------------------------------------------------------------------------------------------------------------------------|------------------------------------------------------------------------------------------------------------------------------------------------------------------------------------------------|
| Step 1 | <b>config t</b><br><br><b>Example:</b><br>switch# config t<br>switch(config)#                                                  | Enters global configuration mode.                                                                                                                                                              |
| Step 2 | <b>monitor session session-number</b><br><br><b>Example:</b><br>switch(config)# monitor session 3<br>switch(config-monitor)#   | Enters the monitor configuration mode and specifies the ERSPAN session for which the multicast best effort mode is to be configured.                                                           |
| Step 3 | <b>[no] multicast best-effort</b><br><br><b>Example:</b><br>switch(config-monitor)# multicast best-effort                      | Configures the multicast best effort mode for the specified ERSPAN session.                                                                                                                    |
| Step 4 | <b>show monitor session session-number</b><br><br><b>Example:</b><br>switch(config-monitor)# show monitor session 3            | (Optional) Displays the status of ERSPAN sessions, including the configuration status of the multicast best effort mode and the modules on which the best effort mode is and is not supported. |
| Step 5 | <b>copy running-config startup-config</b><br><br><b>Example:</b><br>switch(config-monitor)# copy running-config startup-config | (Optional) Copies the running configuration to the startup configuration.                                                                                                                      |

## Verifying the ERSPAN Configuration

To display the ERSPAN configuration, perform one of the following tasks:

| Command                                                                  | Purpose                                    |
|--------------------------------------------------------------------------|--------------------------------------------|
| <b>show monitor session {all   session-number   range session-range}</b> | Displays the ERSPAN session configuration. |
| <b>show running-config monitor</b>                                       | Displays the running ERSPAN configuration. |
| <b>show startup-config monitor</b>                                       | Displays the ERSPAN startup configuration. |

For detailed information about the fields in the output from these commands, see the *Cisco Nexus 7000 Series NX-OS System Management Command Reference*.

## Configuration Examples for ERSPAN

This section includes the following topics:

- [Configuration Example for an ERSPAN Source Session, page 17-16](#)
- [Configuration Example for an ERSPAN Destination Session, page 17-16](#)

***Send document comments to [nexus7k-docfeedback@cisco.com](mailto:nexus7k-docfeedback@cisco.com).***

- [Configuration Example for an ERSPAN ACL, page 17-16](#)
- [Configuration Example for ERSPAN Using the Multicast Best Effort Mode, page 17-17](#)

## Configuration Example for an ERSPAN Source Session

This example shows how to configure an ERSPAN source session:

```
switch# config t
switch(config)# interface e14/30
switch(config-if)# no shut
switch(config-if)# exit
switch(config)# monitor erspan origin ip-address 3.3.3.3 global
switch(config)# monitor session 1 type erspan-source
switch(config-erspan-src)# source interface e14/30
switch(config-erspan-src)# erspan-id 1
switch(config-erspan-src)# ip ttl 16
switch(config-erspan-src)# ip dscp 5
switch(config-erspan-src)# vrf default
switch(config-erspan-src)# destination ip 9.1.1.2
switch(config-erspan-src)# no shut
switch(config-erspan-src)# exit
switch(config)# show monitor session 1
```

## Configuration Example for an ERSPAN Destination Session

This example shows how to configure an ERSPAN destination session:

```
switch# config t
switch(config)# interface e14/29
switch(config-if)# no shut
switch(config-if)# switchport
switch(config-if)# switchport monitor
switch(config-if)# exit
switch(config)# monitor session 2 type erspan-destination
switch(config-erspan-dst)# source ip 9.1.1.2
switch(config-erspan-dst)# destination interface e14/29
switch(config-erspan-dst)# erspan-id 1
switch(config-erspan-dst)# vrf default
switch(config-erspan-dst)# no shut
switch(config-erspan-dst)# exit
switch(config)# show monitor session 2
```

## Configuration Example for an ERSPAN ACL

This example shows how to configure an ERSPAN ACL:

```
switch# config t
switch(config)# ip access-list match_11_pkts
switch(config-acl)# permit ip 11.0.0.0 0.255.255.255 any
switch(config-acl)# exit
switch(config)# ip access-list match_12_pkts
switch(config-acl)# permit ip 12.0.0.0 0.255.255.255 any
switch(config-acl)# exit
switch(config)# vlan access-map erspan_filter 5
switch(config-access-map)# match ip address match_11_pkts
switch(config-access-map)# action forward
switch(config-access-map)# exit
```

***Send document comments to [nexus7k-docfeedback@cisco.com](mailto:nexus7k-docfeedback@cisco.com).***

```
switch(config)# vlan access-map erspan_filter 10
switch(config-access-map)# match ip address match_12_pkts
switch(config-access-map)# action forward
switch(config-access-map)# exit
switch(config)# monitor session 1 type erspan-source
switch(config-erspan-src)# filter access_group erspan_filter
```

## Configuration Example for ERSPAN Using the Multicast Best Effort Mode

This example shows how to configure the multicast best effort mode for an ERSPAN session:

```
switch# config t
switch(config)# monitor session 1
switch(config-monitor)# multicast best-effort
switch(config-monitor)# show monitor session 1
```

## Additional References

For additional information related to implementing ERSPAN, see the following sections:

- [Related Documents, page 17-17](#)
- [Standards, page 17-17](#)

## Related Documents

| Related Topic                                                                                                      | Document Title                                                                               |
|--------------------------------------------------------------------------------------------------------------------|----------------------------------------------------------------------------------------------|
| VDCs                                                                                                               | <i>Cisco Nexus 7000 Series NX-OS Virtual Device Context Configuration Guide, Release 5.x</i> |
| Fabric Extender                                                                                                    | <i>Configuring the Cisco Nexus 2000 Series Fabric Extender</i>                               |
| ERSPAN commands: complete command syntax, command modes, command history, defaults, usage guidelines, and examples | <i>Cisco Nexus 7000 Series NX-OS System Management Command Reference</i>                     |

## Standards

| Standards                                                                                                                             | Title |
|---------------------------------------------------------------------------------------------------------------------------------------|-------|
| No new or modified standards are supported by this feature, and support for existing standards has not been modified by this feature. | —     |

***Send document comments to [nexus7k-docfeedback@cisco.com](mailto:nexus7k-docfeedback@cisco.com).***

## Feature History for ERSPAN

Table 17-3 lists the release history for this feature.

**Table 17-3**      *Feature History for ERSPAN*

| Feature Name           | Releases | Feature Information                                                                  |
|------------------------|----------|--------------------------------------------------------------------------------------|
| ERSPAN                 | 5.2(1)   | Added ERSPAN source support for Cisco Nexus 2000 Series Fabric Extender interfaces.  |
| ERSPAN                 | 5.2(1)   | Added the ability to configure the multicast best effort mode for an ERSPAN session. |
| ERSPAN and ERSPAN ACLs | 5.1(1)   | This feature was introduced.                                                         |



# CHAPTER 18

## Configuring LLDP

---

This chapter describes how to configure the Link Layer Discovery Protocol (LLDP) in order to discover other devices on the local network.



**Note**

---

The Cisco NX-OS release that is running on a managed device may not support all of the features or settings described in this chapter. For the latest feature information and caveats, see the documentation and release notes for your platform and software release.

---

This chapter includes the following sections:

- [Information About LLDP, page 18-1](#)
- [Licensing Requirements for LLDP, page 18-3](#)
- [Guidelines and Limitations, page 18-4](#)
- [Default Settings, page 18-4](#)
- [Configuring LLDP, page 18-4](#)
- [Verifying the LLDP Configuration, page 18-9](#)
- [Configuration Example for LLDP, page 18-9](#)
- [Additional References, page 18-10](#)
- [Feature History for LLDP, page 18-10](#)

## Information About LLDP

This section includes the following topics:

- [LLDP Overview, page 18-2](#)
- [DCBXP Overview, page 18-2](#)
- [High Availability, page 18-3](#)
- [Virtualization Support, page 18-3](#)

***Send document comments to [nexus7k-docfeedback@cisco.com](mailto:nexus7k-docfeedback@cisco.com).***

## LLDP Overview

The Cisco Discovery Protocol (CDP) is a device discovery protocol that runs over the data-link layer (Layer 2) on all Cisco-manufactured devices (routers, bridges, access servers, and switches). CDP allows network management applications to automatically discover and learn about other Cisco devices that are connected to the network.

To permit the discovery of non-Cisco devices, the switch also supports the *Link Layer Discovery Protocol (LLDP)*, a vendor-neutral device discovery protocol that is defined in the IEEE 802.1ab standard. LLDP allows network devices to advertise information about themselves to other devices on the network. This protocol runs over the data-link layer, which allows two systems running different network layer protocols to learn about each other.

LLDP is a one-way protocol that transmits information about the capabilities and current status of a device and its interfaces. LLDP devices use the protocol to solicit information only from other LLDP devices.

LLDP supports a set of attributes that it uses to discover other devices. These attributes contain type, length, and value (TLV) descriptions. LLDP devices can use TLVs to send and receive information to other devices on the network. Details such as configuration information, device capabilities, and device identity can be advertised using this protocol.

LLDP advertises the following TLVs by default:

- DCBXP
- Management address
- Port description
- Port VLAN
- System capabilities
- System description
- System name

## DCBXP Overview

The Data Center Bridging Exchange Protocol (DCBXP) is an extension of LLDP. It is used to announce, exchange, and negotiate node parameters between peers. DCBXP parameters are packaged into a specific DCBXP TLV. This TLV is designed to provide an acknowledgement to the received LLDP packet. In this way, DCBXP adds a lightweight acknowledgement mechanism on top of LLDP so that any application that needs a request-response semantic from a link-level protocol can make use of DCBXP.

Other applications that need to exchange and negotiate parameters with peer nodes using DCBXP are as follows:

- Priority-based Flow Control (PFC)—PFC is an enhancement to the existing Pause mechanism in Ethernet. It enables Pause based on user priorities or classes of service. A physical link divided into eight virtual links with PFC provides the capability to use Pause on a single virtual link without affecting traffic on the other virtual links. Enabling Pause on a per-user-priority basis allows administrators to create lossless links for traffic requiring no-drop service while retaining packet-drop congestion management for IP traffic.



***Send document comments to [nexus7k-docfeedback@cisco.com](mailto:nexus7k-docfeedback@cisco.com).***

- Enhanced Transmission Selection (ETS)—ETS enables optimal bandwidth management of virtual links. ETS is also called *priority grouping*. It enables differentiated treatments within the same priority classes of PFC. ETS provides prioritized processing based on bandwidth allocation, low latency, or best effort, resulting in per-group traffic class allocation. For example, an Ethernet class of traffic may have a high-priority designation and a best effort within that same class. ETS allows differentiation between traffic of the same priority class, thus creating priority groups.
- Application Priority Configuration TLV—Carries information about which VLANs will be used by specific protocols.



**Note**

For more information on the QoS features, see the *Cisco Nexus 7000 Series NX-OS Quality of Service Configuration Guide, Release 5.x*.

DCBXP is enabled by default, provided LLDP is enabled. When LLDP is enabled, DCBXP can be enabled or disabled using the `[no] lldp tlv-select dcbxp` command. DCBXP is disabled on ports where LLDP transmit or receive is disabled.

## High Availability

The LLDP feature supports stateless and stateful restarts. After a reboot or supervisor switchover, the running configuration is applied.

For more information on high availability, see the *Cisco Nexus 7000 Series NX-OS High Availability and Redundancy Guide, Release 5.x*.

## Virtualization Support

One instance of LLDP is supported per virtual device context (VDC). You are automatically placed in the default VDC unless you specify otherwise.

For information on VDCs, see the *Cisco Nexus 7000 Series NX-OS Virtual Device Context Configuration Guide, Release 5.x*.

## Licensing Requirements for LLDP

The following table shows the licensing requirements for this feature:

| Product     | License Requirement                                                                                                                                                                                                                                                           |
|-------------|-------------------------------------------------------------------------------------------------------------------------------------------------------------------------------------------------------------------------------------------------------------------------------|
| Cisco NX-OS | LLDP requires no license. Any feature not included in a license package is bundled with the Cisco NX-OS system images and is provided at no extra charge to you. For a complete explanation of the Cisco NX-OS licensing scheme, see the <i>Cisco NX-OS Licensing Guide</i> . |

[Send document comments to nexus7k-docfeedback@cisco.com.](mailto:nexus7k-docfeedback@cisco.com)

## Guidelines and Limitations

LLDP has the following configuration guidelines and limitations:

- LLDP must be enabled on the device before you can enable or disable it on any interfaces.
- LLDP is supported only on physical interfaces.
- LLDP can discover up to one device per port.
- LLDP can discover Linux servers, provided they are not using a converged network adapter (CNA). LLDP cannot discover other types of servers.
- DCBXP is not supported for the Cisco Nexus 2000 Series Fabric Extender.
- Beginning with Cisco NX-OS Release 5.2, LLDP is supported for the Cisco Nexus 2000 Series Fabric Extender. LLDP packets can now be sent and received through the Fabric Extender ports for neighbor discovery.
  - All LLDP configuration on Fabric Extender ports occurs on the supervisor. LLDP configuration and **show** commands are not visible on the Fabric Extender console.
  - LLDP is not supported for a Fabric Extender-virtual port channel (vPC) connection.

## Default Settings

Table 18-1 lists the LLDP default settings.

**Table 18-1** LLDP Default Settings

| Parameter                            | Default                                 |
|--------------------------------------|-----------------------------------------|
| Global LLDP                          | Disabled                                |
| LLDP on interfaces                   | Enabled, after LLDP is enabled globally |
| LLDP hold time (before discarding)   | 120 seconds                             |
| LLDP reinitialization delay          | 2 seconds                               |
| LLDP timer (packet update frequency) | 30 seconds                              |
| LLDP TLVs                            | Enabled                                 |
| LLDP receive                         | Enabled, after LLDP is enabled globally |
| LLDP transmit                        | Enabled, after LLDP is enabled globally |
| DCBXP                                | Enabled, provided LLDP is enabled       |

## Configuring LLDP

This section includes the following topics:

- [Enabling or Disabling LLDP Globally, page 18-5](#)
- [Enabling or Disabling LLDP on an Interface, page 18-6](#)
- [Configuring Optional LLDP Parameters, page 18-7](#)

**Send document comments to [nexus7k-docfeedback@cisco.com](mailto:nexus7k-docfeedback@cisco.com).**



**Note**

Cisco NX-OS commands for this feature may differ from Cisco IOS commands for a similar feature.

## Enabling or Disabling LLDP Globally

You can enable or disable LLDP globally on a device. You must enable LLDP globally to allow a device to send and receive LLDP packets.

### BEFORE YOU BEGIN

Make sure that you are in the correct VDC. To switch VDCs, use the **switchto vdc** command.

### SUMMARY STEPS

1. **config t**
2. **[no] feature lldp**
3. (Optional) **show running-config lldp**
4. (Optional) **copy running-config startup-config**

### DETAILED STEPS

|        | Command                                                                                                                                       | Purpose                                                                                                                                                   |
|--------|-----------------------------------------------------------------------------------------------------------------------------------------------|-----------------------------------------------------------------------------------------------------------------------------------------------------------|
| Step 1 | <b>config t</b><br><br><b>Example:</b><br>switch# config t<br>Enter configuration commands, one per line. End with CNTL/Z.<br>switch(config)# | Enters global configuration mode.                                                                                                                         |
| Step 2 | <b>[no] feature lldp</b><br><br><b>Example:</b><br>switch(config)# feature lldp                                                               | Enables or disables LLDP on the device. LLDP is disabled by default.                                                                                      |
| Step 3 | <b>show running-config lldp</b><br><br><b>Example:</b><br>switch(config)# show running-config lldp                                            | (Optional) Displays the global LLDP configuration. If LLDP is enabled, it shows “feature lldp.” If LLDP is disabled, it shows an “Invalid command” error. |
| Step 4 | <b>copy running-config startup-config</b><br><br><b>Example:</b><br>switch(config)# copy running-config startup-config                        | (Optional) Saves the change persistently through reboots and restarts by copying the running configuration to the startup configuration.                  |

This example shows how to enable LLDP globally on the device:

```
switch# config t
Enter configuration commands, one per line. End with CNTL/Z.
switch(config)# feature lldp
```

**Send document comments to [nexus7k-docfeedback@cisco.com](mailto:nexus7k-docfeedback@cisco.com).**

## Enabling or Disabling LLDP on an Interface

After you globally enable LLDP, it is enabled on all supported interfaces by default. However, you can enable or disable LLDP on individual interfaces or selectively configure an interface to only send or only receive LLDP packets.



### Note

If the interface is configured as a tunnel port, LLDP is disabled automatically.

### BEFORE YOU BEGIN

Make sure that you are in the correct VDC. To switch VDCs, use the **switchto vdc** command.

Make sure that you have globally enabled LLDP on the device.

### SUMMARY STEPS

1. **config t**
2. **interface ethernet *slot/port***
3. **[no] lldp transmit**
4. **[no] lldp receive**
5. (Optional) **show lldp interface ethernet *slot/port***
6. (Optional) **copy running-config startup-config**

### DETAILED STEPS

|        | Command                                                                                                                                       | Purpose                                                                                                                                                     |
|--------|-----------------------------------------------------------------------------------------------------------------------------------------------|-------------------------------------------------------------------------------------------------------------------------------------------------------------|
| Step 1 | <b>config t</b><br><br><b>Example:</b><br>switch# config t<br>Enter configuration commands, one per line. End with CNTL/Z.<br>switch(config)# | Enters global configuration mode.                                                                                                                           |
| Step 2 | <b>interface ethernet <i>slot/port</i></b><br><br><b>Example:</b><br>switch(config)# interface ethernet 7/1<br>switch(config-if)              | Specifies the interface on which you are enabling LLDP and enters the interface configuration mode.                                                         |
| Step 3 | <b>[no] lldp transmit</b><br><br><b>Example:</b><br>switch(config-if)# lldp transmit                                                          | Enables or disables the transmission of LLDP packets on an interface. After you globally enable LLDP, it is enabled on all supported interfaces by default. |
| Step 4 | <b>[no] lldp receive</b><br><br><b>Example:</b><br>switch(config-if)# lldp receive                                                            | Enables or disables the reception of LLDP packets on an interface. After you globally enable LLDP, it is enabled on all supported interfaces by default.    |

***Send document comments to [nexus7k-docfeedback@cisco.com](mailto:nexus7k-docfeedback@cisco.com).***

|        | Command                                                                                                                     | Purpose                                                                                                                                  |
|--------|-----------------------------------------------------------------------------------------------------------------------------|------------------------------------------------------------------------------------------------------------------------------------------|
| Step 5 | <b>show lldp interface ethernet slot/port</b><br><br><b>Example:</b><br>switch(config-if)# show lldp interface ethernet 7/1 | (Optional) Displays the LLDP configuration on the interface.                                                                             |
| Step 6 | <b>copy running-config startup-config</b><br><br><b>Example:</b><br>switch(config-if)# copy running-config startup-config   | (Optional) Saves the change persistently through reboots and restarts by copying the running configuration to the startup configuration. |

This example shows how to disable the transmission of LLDP packets on an interface:

```
switch# config t
switch(config)# interface ethernet 7/1
switch(config-if)# no lldp transmit
```

## Configuring Optional LLDP Parameters

You can configure the frequency of LLDP updates, the amount of time for a receiving device to hold the information before discarding it, and the initialization delay time. You can also select the TLVs to include in LLDP packets.

### BEFORE YOU BEGIN

Make sure that you are in the correct VDC. To switch VDCs, use the **switchto vdc** command.

### SUMMARY STEPS

1. **config t**
2. (Optional) **[no] lldp holdtime seconds**
3. (Optional) **[no] lldp reinit seconds**
4. (Optional) **[no] lldp timer seconds**
5. (Optional) **show lldp timers**
6. (Optional) **[no] lldp tlv-select tlv**
7. (Optional) **show lldp tlv-select**
8. (Optional) **copy running-config startup-config**

### DETAILED STEPS

|        | Command                                                                                                                                       | Purpose                           |
|--------|-----------------------------------------------------------------------------------------------------------------------------------------------|-----------------------------------|
| Step 1 | <b>config t</b><br><br><b>Example:</b><br>switch# config t<br>Enter configuration commands, one per line. End with CNTL/Z.<br>switch(config)# | Enters global configuration mode. |

**Send document comments to [nexus7k-docfeedback@cisco.com](mailto:nexus7k-docfeedback@cisco.com).**

|        | Command                                                                                                                                            | Purpose                                                                                                                                                                                                                                                                                                                                                                                                         |
|--------|----------------------------------------------------------------------------------------------------------------------------------------------------|-----------------------------------------------------------------------------------------------------------------------------------------------------------------------------------------------------------------------------------------------------------------------------------------------------------------------------------------------------------------------------------------------------------------|
| Step 2 | <p><code>[no] lldp holdtime seconds</code></p> <p><b>Example:</b><br/> <code>switch(config)# lldp holdtime 200</code></p>                          | <p>(Optional) Specifies the amount of time in seconds that a receiving device should hold the information sent by your device before discarding it.</p> <p>The range is 10 to 255 seconds; the default is 120 seconds.</p>                                                                                                                                                                                      |
| Step 3 | <p><code>[no] lldp reinit seconds</code></p> <p><b>Example:</b><br/> <code>switch(config)# lldp reinit 5</code></p>                                | <p>(Optional) Specifies the delay time in seconds for LLDP to initialize on any interface.</p> <p>The range is 1 to 10 seconds; the default is 2 seconds.</p>                                                                                                                                                                                                                                                   |
| Step 4 | <p><code>[no] lldp timer seconds</code></p> <p><b>Example:</b><br/> <code>switch(config)# lldp timer 50</code></p>                                 | <p>(Optional) Specifies the transmission frequency of LLDP updates in seconds.</p> <p>The range is 5 to 254 seconds; the default is 30 seconds.</p>                                                                                                                                                                                                                                                             |
| Step 5 | <p><code>show lldp timers</code></p> <p><b>Example:</b><br/> <code>switch(config)# show lldp timers</code></p>                                     | <p>(Optional) Displays the LLDP hold time, delay time, and update frequency configuration.</p>                                                                                                                                                                                                                                                                                                                  |
| Step 6 | <p><code>[no] lldp tlv-select tlv</code></p> <p><b>Example:</b><br/> <code>switch(config)# lldp tlv-select system-name</code></p>                  | <p>(Optional) Specifies the TLVs to send and receive in LLDP packets. The available TLVs are dcbxp, management-address, port-description, port-vlan, system-capabilities, system-description, and system-name. All available TLVs are enabled by default.</p> <p><b>Note</b> For more information about using these TLVs, see the <i>Cisco Nexus 7000 Series NX-OS System Management Command Reference</i>.</p> |
| Step 7 | <p><code>show lldp tlv-select</code></p> <p><b>Example:</b><br/> <code>switch(config)# show lldp tlv-select</code></p>                             | <p>(Optional) Displays the LLDP TLV configuration.</p>                                                                                                                                                                                                                                                                                                                                                          |
| Step 8 | <p><code>copy running-config startup-config</code></p> <p><b>Example:</b><br/> <code>switch(config)# copy running-config startup-config</code></p> | <p>(Optional) Saves the change persistently through reboots and restarts by copying the running configuration to the startup configuration.</p>                                                                                                                                                                                                                                                                 |

This example shows how to configure a hold time of 200 seconds, a delay time of 5 seconds, and an update frequency of 50 seconds as well as how to disable the port-vlan TLV:

```
switch# config t
Enter configuration commands, one per line. End with CNTL/Z.
switch(config)# lldp holdtime 200
switch(config)# lldp reinit 5
switch(config)# lldp timer 50
switch(config)# no lldp tlv-select port-vlan
```

***Send document comments to [nexus7k-docfeedback@cisco.com](mailto:nexus7k-docfeedback@cisco.com).***

## Verifying the LLDP Configuration

To display the LLDP configuration, perform one of the following tasks:

| Command                                                                  | Purpose                                                                                                                                                                 |
|--------------------------------------------------------------------------|-------------------------------------------------------------------------------------------------------------------------------------------------------------------------|
| <code>show running-config lldp</code>                                    | Displays the global LLDP configuration.                                                                                                                                 |
| <code>show lldp interface ethernet slot/port</code>                      | Displays the LLDP interface configuration.                                                                                                                              |
| <code>show lldp timers</code>                                            | Displays the LLDP hold time, delay time, and update frequency configuration.                                                                                            |
| <code>show lldp tlv-select</code>                                        | Displays the LLDP TLV configuration.                                                                                                                                    |
| <code>show lldp dcBX interface ethernet slot/port</code>                 | Displays the local DCBX control status.                                                                                                                                 |
| <code>show lldp neighbors {detail   interface ethernet slot/port}</code> | Displays the LLDP neighbor device status.                                                                                                                               |
| <code>show lldp traffic</code>                                           | Displays the LLDP counters, including the number of LLDP packets sent and received by the device, the number of discarded packets, and the number of unrecognized TLVs. |
| <code>show lldp traffic interface ethernet slot/port</code>              | Displays the number of LLDP packets sent and received on the interface.                                                                                                 |

Use the `clear lldp counters` command to clear the LLDP statistics.

## Configuration Example for LLDP

This example shows how to enable LLDP on a device; disable LLDP on some interfaces; configure optional parameters such as hold time, delay time, and update frequency; and disable several LLDP TLVs:

```
switch# config t
Enter configuration commands, one per line. End with CNTL/Z.
switch(config)# feature lldp
switch(config)# interface ethernet 7/9
switch(config-if)# no lldp transmit
switch(config-if)# no lldp receive
switch(config-if)# exit
switch(config)# interface ethernet 7/10
switch(config-if)# no lldp transmit
switch(config-if)# no lldp receive
switch(config-if)# exit
switch(config)# lldp holdtime 200
switch(config)# lldp reinit 5
switch(config)# lldp timer 50
switch(config)# no lldp tlv-select port-vlan
switch(config)# no lldp tlv-select system-name
```

**[Send document comments to nexus7k-docfeedback@cisco.com.](mailto:nexus7k-docfeedback@cisco.com)**

## Additional References

For additional information related to implementing LLDP, see the following sections:

- [Related Documents, page 18-10](#)
- [Standards, page 18-10](#)

## Related Documents

| Related Topic                                                                                                    | Document Title                                                                               |
|------------------------------------------------------------------------------------------------------------------|----------------------------------------------------------------------------------------------|
| LLDP commands: complete command syntax, command modes, command history, defaults, usage guidelines, and examples | <i>Cisco Nexus 7000 Series NX-OS System Management Command Reference</i>                     |
| Fabric Extender                                                                                                  | <i>Configuring the Cisco Nexus 2000 Series Fabric Extender</i>                               |
| VDCs                                                                                                             | <i>Cisco Nexus 7000 Series NX-OS Virtual Device Context Configuration Guide, Release 5.x</i> |

## Standards

| Standards                                                                                                                             | Title |
|---------------------------------------------------------------------------------------------------------------------------------------|-------|
| No new or modified standards are supported by this feature, and support for existing standards has not been modified by this feature. | —     |

## Feature History for LLDP

[Table 18-2](#) lists the release history for this feature.

**Table 18-2** Feature History for LLDP

| Feature Name | Releases | Feature Information                                                 |
|--------------|----------|---------------------------------------------------------------------|
| LLDP         | 5.2(1)   | Added LLDP support for the Cisco Nexus 2000 Series Fabric Extender. |
| DCBXP        | 5.1(1)   | This feature was introduced.                                        |
| LLDP         | 5.0(2)   | This feature was introduced.                                        |





## CHAPTER 19

# Configuring NetFlow

---

This chapter describes how to configure the NetFlow feature on Cisco NX-OS devices.

This chapter includes the following sections:

- [Information About NetFlow, page 19-1](#)
- [Licensing Requirements for NetFlow, page 19-4](#)
- [Prerequisites for NetFlow, page 19-4](#)
- [Guidelines and Limitations, page 19-4](#)
- [Default Settings, page 19-5](#)
- [Configuring NetFlow, page 19-5](#)
- [Verifying the NetFlow Configuration, page 19-18](#)
- [Monitoring NetFlow, page 19-19](#)
- [Configuration Example for NetFlow, page 19-19](#)
- [Additional References, page 19-19](#)
- [Feature History for NetFlow, page 19-20](#)

## Information About NetFlow

NetFlow identifies packet flows for both ingress and egress IP packets and provides statistics based on these packet flows. NetFlow does not require any change to either the packets themselves or to any networking device.

This section includes the following topics:

- [NetFlow Overview, page 19-1](#)
- [High Availability, page 19-3](#)
- [Virtualization Support, page 19-4](#)

## NetFlow Overview

NetFlow uses flows to provide statistics for accounting, network monitoring, and network planning. A flow is a unidirectional stream of packets that arrives on a source interface (or VLAN) and has the same values for the keys. A key is an identified value for a field within the packet. You create a flow using a flow record to define the unique keys for your flow.

## ***Send document comments to [nexus7k-docfeedback@cisco.com](mailto:nexus7k-docfeedback@cisco.com).***

Cisco NX-OS supports the Flexible NetFlow feature that enables enhanced network anomalies and security detection. Flexible NetFlow allows you to define an optimal flow record for a particular application by selecting the keys from a large collection of predefined fields. For more information on the flow records, see the [“Flow Records” section on page 19-2](#).

All key values must match for the packet to count in a given flow. A flow might gather other fields of interest, depending on the export record version that you configure. Flows are stored in the NetFlow cache.

You can export the data that NetFlow gathers for your flow by using an exporter and export this data to a remote NetFlow collector. Cisco NX-OS exports a flow as part of a NetFlow export User Datagram Protocol (UDP) datagram under the following circumstances:

- The flow has been inactive or active for too long.
- The flow cache is getting full.
- One of the counters (packets or bytes) has exceeded its maximum value.
- You have forced the flow to export.

For more information on exporters, see the [“Exporters” section on page 19-2](#).

You define the size of the data that you want to collect for a flow using a monitor. The monitor combines the flow record and exporter with the NetFlow cache information. For more information on monitors, see the [“Monitors” section on page 19-3](#).

Cisco NX-OS can gather NetFlow statistics in either full or sampled mode. Cisco NX-OS analyzes all packets on the interface or subinterface for full NetFlow mode. For sampled mode, you configure the sampling algorithm and rate that Cisco NX-OS analyzes packets. For more information on samplers, see the [“Samplers” section on page 19-3](#).

## **Flow Records**

A flow record defines the keys that NetFlow uses to identify packets in the flow as well as other fields of interest that NetFlow gathers for the flow. You can define a flow record with any combination of keys and fields of interest. Cisco NX-OS supports a rich set of keys. A flow record also defines the types of counters gathered per flow. You can configure 32-bit or 64-bit packet or byte counters. Cisco NX-OS enables the following match fields as the defaults when you create a flow record:

- match interface input
- match interface output
- match flow direction

For more information, see the [“Creating a Flow Record” section on page 19-6](#).

## **Exporters**

An exporter contains network layer and transport layer details for the NetFlow export packet. You can configure the following information in an exporter:

- Export destination IP address
- Source interface
- UDP port number (where the collector is listening for NetFlow packets)
- Export format

***Send document comments to [nexus7k-docfeedback@cisco.com](mailto:nexus7k-docfeedback@cisco.com).***

**Note**

NetFlow export packets use the IP address that is assigned to the source interface. If the source interface does not have an IP address assigned to it, the exporter will be inactive.

Cisco NX-OS exports data to the collector whenever a timeout occurs or when the flow is terminated (TCP Fin or Rst received, for example). You can configure the following timers to force a flow export:

- Active timeout—Cisco NX-OS does not remove the cache entries from the cache.
- Inactive timeout—Cisco NX-OS removes the cache entries from the cache.

## Export Formats

Cisco NX-OS supports the Version 5 and Version 9 export formats. We recommend that you use the Version 9 export format for the following reasons:

- Variable field specification format
- Support for IPv6, Layer 2, and MPLS fields
- More efficient network utilization

If you configure the Version 5 export format, you have these limitations:

- Fixed field specifications
- No support for IPv6, Layer 2, or MPLS fields
- The `Netflow.InputInterface` and `Netflow.OutputInterface` represent a 16-bit I/O descriptor (IOD) of the interface.

**Note**

The IOD information of the interface can be retrieved using the **`show system internal im info global`** command.

For information about the Version 9 export format, see [RFC 3954](#).

**Note**

Cisco NX-OS supports UDP as the transport protocol for exports to up to two collectors.

## Monitors

A monitor references the flow record and flow exporter. You apply a monitor to an interface.

## Samplers

If you are using sampled mode, you use the sampler to specify the rate at which packets are sampled. On high bandwidth interfaces, applying NetFlow processing to every single packet can result in high CPU utilization. Sampler configuration is for high-speed interfaces. You can configure samples for M out of N. For example, 100 out of every 10,000 packets are sampled.

***Send document comments to [nexus7k-docfeedback@cisco.com](mailto:nexus7k-docfeedback@cisco.com).***

## High Availability

Cisco NX-OS supports stateful restarts for NetFlow. After a reboot or supervisor switchover, Cisco NX-OS applies the running configuration.

## Virtualization Support

A virtual device context (VDC) is a logical representation of a set of system resources. Within each VDC, you can configure NetFlow. By default, Cisco NX-OS places you in the default VDC and any flows that you define in this mode are only available for interfaces in the default VDC.

For information about configuring VDCs, see the *Cisco Nexus 7000 Series NX-OS Virtual Device Context Configuration Guide, Release 5.x*.

## Licensing Requirements for NetFlow

| Product     | License Requirement                                                                                                                                                                                                                                                              |
|-------------|----------------------------------------------------------------------------------------------------------------------------------------------------------------------------------------------------------------------------------------------------------------------------------|
| Cisco NX-OS | NetFlow requires no license. Any feature not included in a license package is bundled with the Cisco NX-OS system images and is provided at no extra charge to you. For a complete explanation of the Cisco NX-OS licensing scheme, see the <i>Cisco NX-OS Licensing Guide</i> . |

## Prerequisites for NetFlow

NetFlow has the following prerequisites:

- You must understand the resources required on your device because NetFlow consumes additional memory and CPU resources.
- If you configure VDCs, install the Advanced Services license and enter the desired VDC. For more information, see the *Cisco Nexus 7000 Series NX-OS Virtual Device Context Configuration Guide, Release 5.x*.

## Guidelines and Limitations

NetFlow has the following configuration guidelines and limitations:

- You must configure a source interface. If you do not configure a source interface, the exporter will remain in a disabled state.
- You must configure a valid record name for every flow monitor.
- A rollback will fail if you try to modify a record that is programmed in the hardware during a rollback.
- Only Layer 2 NetFlow is applied on Layer 2 interfaces, and only Layer 3 NetFlow is applied on Layer 3 interfaces.
- If you add a member to a port channel that is already configured for Layer 2 NetFlow, its NetFlow configuration is removed and the Layer 2 configuration of the port channel is added to it.

***Send document comments to [nexus7k-docfeedback@cisco.com](mailto:nexus7k-docfeedback@cisco.com).***

- If you change a Layer 2 interface to a Layer 3 interface, the software removes the Layer 2 NetFlow configuration from the interface.
- Use v9 export to see the full 32-bit SNMP ifIndex values at the NetFlow connector.
- The maximum number of supported NetFlow entries is 512K.
- The Cisco Nexus 2000 Series Fabric Extender supports bridged NetFlow.
- Beginning with Cisco NX-OS Release 5.2, NetFlow is supported on switch virtual interfaces (SVIs) for F1 Series ports. Bridged NetFlow on F1 Series ports is not supported.

## Default Settings

Table 19-1 lists the default settings for NetFlow parameters.

**Table 19-1**      **Default NetFlow Parameters**

| Parameters                        | Default      |
|-----------------------------------|--------------|
| Egress and Ingress cache size     | 512K         |
| Flow active timeout               | 1800 seconds |
| Flow timeout aggressive threshold | disabled     |
| Flow timeout fast threshold       | disabled     |
| Flow timeout inactive             | 15 seconds   |
| Flow timeout session aging        | disabled     |

## Configuring NetFlow

To configure NetFlow, follow these steps:

- 
- Step 1** Enable the NetFlow feature (see the [“Enabling the NetFlow Feature”](#) section on page 19-6).
  - Step 2** Define a flow record by specifying keys and fields to the flow (see the [“Creating a Flow Record”](#) section on page 19-6).
  - Step 3** Define an optional flow exporter by specifying the export format, protocol, destination, and other parameters (see the [“Creating a Flow Exporter”](#) section on page 19-9).
  - Step 4** Define a flow monitor based on the flow record and flow exporter (see the [“Creating a Flow Monitor”](#) section on page 19-11).
  - Step 5** Apply the flow monitor to a source interface, subinterface, VLAN interface (see the [“Applying a Flow to an Interface”](#) section on page 19-13), or a VLAN (see the [“Configuring Bridged NetFlow on a VLAN”](#) section on page 19-14).
- 

This section includes the following topics:

- [Enabling the NetFlow Feature, page 19-6](#)
- [Creating a Flow Record, page 19-6](#)
- [Creating a Flow Exporter, page 19-9](#)

**Send document comments to [nexus7k-docfeedback@cisco.com](mailto:nexus7k-docfeedback@cisco.com).**

- [Creating a Flow Monitor, page 19-11](#)
- [Creating a Sampler, page 19-12](#)
- [Applying a Flow to an Interface, page 19-13](#)
- [Configuring Bridged NetFlow on a VLAN, page 19-14](#)
- [Configuring Layer 2 NetFlow, page 19-15](#)
- [Configuring NetFlow Timeouts, page 19-17](#)



**Note**

Be aware that the Cisco NX-OS commands for this feature may differ from those used in Cisco IOS.

## Enabling the NetFlow Feature

You must globally enable NetFlow before you can configure any flows.

Use the following command in global configuration mode to enable NetFlow:

| Command                                            | Purpose                      |
|----------------------------------------------------|------------------------------|
| <b>feature netflow</b>                             | Enables the NetFlow feature. |
| <b>Example:</b><br>switch(config)# feature netflow |                              |

Use the following command in global configuration mode to disable NetFlow and remove all flows:

| Command                                               | Purpose                                                |
|-------------------------------------------------------|--------------------------------------------------------|
| <b>no feature netflow</b>                             | Disables the NetFlow feature. The default is disabled. |
| <b>Example:</b><br>switch(config)# no feature netflow |                                                        |

## Creating a Flow Record

You can create a flow record and add keys to match on and fields to collect in the flow.

### BEFORE YOU BEGIN

Make sure that you are in the correct VDC. To change the VDC, use the **switchto vdc** command.

### SUMMARY STEPS

1. **config t**
2. **flow record** *name*
3. **description** *string*
4. **match** *type*
5. **collect** *type*

***Send document comments to [nexus7k-docfeedback@cisco.com](mailto:nexus7k-docfeedback@cisco.com).***

6. `show flow record [name] [record-name | netflow-original | netflow protocol-port | netflow {ipv4 | ipv6} {original-input | original-output}]`
7. `copy running-config startup-config`

## DETAILED STEPS

|        | Command                                                                                                                                                                                                                                                 | Purpose                                                                                                                                                            |
|--------|---------------------------------------------------------------------------------------------------------------------------------------------------------------------------------------------------------------------------------------------------------|--------------------------------------------------------------------------------------------------------------------------------------------------------------------|
| Step 1 | <pre>confi g t</pre> <p><b>Example:</b><br/>switch# confi g t<br/>Enter configuration commands, one per line. End with CNTL/Z.<br/>switch(config)# </p>                                                                                                 | Places you in global configuration mode.                                                                                                                           |
| Step 2 | <pre>flow record name</pre> <p><b>Example:</b><br/>switch(config)# flow record Test<br/>switch(config-flow-record)# </p>                                                                                                                                | Creates a flow record and enters flow record configuration mode.                                                                                                   |
| Step 3 | <pre>description string</pre> <p><b>Example:</b><br/>switch(config-flow-record)# description Ipv4Flow </p>                                                                                                                                              | (Optional) Describes this flow record as a maximum 63-character string.                                                                                            |
| Step 4 | <pre>match type</pre> <p><b>Example:</b><br/>switch(config-flow-record)# match transport destination-port </p>                                                                                                                                          | Specifies a match key. See the <a href="#">“Specifying the Match Parameters”</a> section on page 19-7 for more information on the <i>type</i> argument.            |
| Step 5 | <pre>collect type</pre> <p><b>Example:</b><br/>switch(config-flow-record)# collect counter packets </p>                                                                                                                                                 | Specifies the collection field. See the <a href="#">“Specifying the Collect Parameters”</a> section on page 19-8 for more information on the <i>type</i> argument. |
| Step 6 | <pre>show flow record [name] [record-name   netflow-original   netflow protocol-port   netflow {ipv4   ipv6} {original-input   original-output}]</pre> <p><b>Example:</b><br/>switch(config-flow-exporter)# show flow record netflow protocol-port </p> | (Optional) Displays information about NetFlow flow records.                                                                                                        |
| Step 7 | <pre>copy running-config startup-config</pre> <p><b>Example:</b><br/>switch(config-flow-exporter)# copy running-config startup-config </p>                                                                                                              | (Optional) Saves this configuration change.                                                                                                                        |

## Specifying the Match Parameters

You must configure at least one of the following match parameters for flow records:

**Send document comments to [nexus7k-docfeedback@cisco.com](mailto:nexus7k-docfeedback@cisco.com).**

| Command                                                                                                                                                                   | Purpose                                                      |
|---------------------------------------------------------------------------------------------------------------------------------------------------------------------------|--------------------------------------------------------------|
| <b>match ip</b> {protocol   tos}<br><br><b>Example:</b><br>switch(config-flow-record)# match ip<br>protocol                                                               | Specifies the IP protocol or ToS fields as keys.             |
| <b>match ipv4</b> {destination address   source address}<br><br><b>Example:</b><br>switch(config-flow-record)# match ipv4<br>destination address                          | Specifies the IPv4 source or destination address as a key.   |
| <b>match ipv6</b> {destination address   source address   flow-label   options}<br><br><b>Example:</b><br>switch(config-flow-record)# match ipv6<br>flow-label            | Specifies the IPv6 key.                                      |
| <b>match transport</b> {destination-port   source-port}<br><br><b>Example:</b><br>switch(config-flow-record)# match<br>transport destination-port                         | Specifies the transport source or destination port as a key. |
| <b>match datalink</b> {mac source-address   mac destination-address   ethertype   vlan}<br><br><b>Example:</b><br>switch(config-flow-record)# match<br>datalink ethertype | Specifies the Layer 2 attribute as a key.                    |

## Specifying the Collect Parameters

You must configure at least one of the following collect parameters for flow records:

| Command                                                                                                                          | Purpose                                                                                                                |
|----------------------------------------------------------------------------------------------------------------------------------|------------------------------------------------------------------------------------------------------------------------|
| <b>collect counter</b> {bytes   packets} [long]<br><br><b>Example:</b><br>switch(config-flow-record)# collect<br>counter packets | Collects either packet-based or byte counters from the flow. You can optionally specify that 64-bit counters are used. |
| <b>collect flow</b> {direction   sampler id}<br><br><b>Example:</b><br>switch(config-flow-record)# collect flow<br>direction     | Collects the direction of the flow or the sampler identifier used for the flow.                                        |
| <b>collect interface</b> {input   output}<br><br><b>Example:</b><br>switch(config-flow-record)# collect<br>interface input       | Collects the input or output interface attribute.                                                                      |



**Send document comments to [nexus7k-docfeedback@cisco.com](mailto:nexus7k-docfeedback@cisco.com).**

| Command                                                                                                                                        | Purpose                                                                       |
|------------------------------------------------------------------------------------------------------------------------------------------------|-------------------------------------------------------------------------------|
| <b>collect routing {destination   source} as [peer]</b><br><br><b>Example:</b><br>switch(config-flow-record)# collect routing destination as   | Collects the source or destination AS number of the local device or the peer. |
| <b>collect routing forwarding-status</b><br><br><b>Example:</b><br>switch(config-flow-record)# collect routing forwarding-status               | Collects the forwarding status of the packet.                                 |
| <b>collect routing next-hop address ipv4 [bgp]</b><br><br><b>Example:</b><br>switch(config-flow-record)# collect routing next-hop address ipv4 | Collects the next-hop IPv4 address.                                           |
| <b>collect routing next-hop address ipv6 [bgp]</b><br><br><b>Example:</b><br>switch(config-flow-record)# collect routing next-hop address ipv6 | Collects the next-hop IPv6 address.                                           |
| <b>collect timestamp sys-uptime {first   last}</b><br><br><b>Example:</b><br>switch(config-flow-record)# collect timestamp sys-uptime last     | Collects the system up time for the first or last packet in the flow.         |
| <b>collect transport tcp flags</b><br><br><b>Example:</b><br>switch(config-flow-record)# collect transport tcp flags                           | Collects the TCP transport layer flags for the packets in the flow.           |

## Creating a Flow Exporter

You can create a flow export to define the export parameters for a flow.

### BEFORE YOU BEGIN

Make sure that you are in the correct VDC. To change the VDC, use the **switchto vdc** command.

### SUMMARY STEPS

1. **config t**
2. **flow exporter name**
3. **destination {ipv4-address | ipv6-address} [use-vrf name]**
4. **source interface-type number**
5. **version {5 | 9}**

**Send document comments to [nexus7k-docfeedback@cisco.com](mailto:nexus7k-docfeedback@cisco.com).**

6. `show flow exporter [name]`
7. `copy running-config startup-config`

## DETAILED STEPS

|        | Command                                                                                                                                                        | Purpose                                                                                                                                  |
|--------|----------------------------------------------------------------------------------------------------------------------------------------------------------------|------------------------------------------------------------------------------------------------------------------------------------------|
| Step 1 | <pre>config t</pre> <p><b>Example:</b><br/> <pre>switch# config t Enter configuration commands, one per line. End with CNTL/Z. switch(config)#</pre></p>       | Places you in global configuration mode.                                                                                                 |
| Step 2 | <pre>flow exporter name</pre> <p><b>Example:</b><br/> <pre>switch(config)# flow exporter ExportTest switch(config-flow-exporter)#</pre></p>                    | Creates a flow exporter and enters flow exporter configuration mode.                                                                     |
| Step 3 | <pre>destination {ipv4-address   ipv6-address} [use-vrf name]</pre> <p><b>Example:</b><br/> <pre>switch(config-flow-exporter)# destination 192.0.2.1</pre></p> | Sets the destination IPv4 or IPv6 address for this exporter. You can optionally configure the VRF to use to reach the NetFlow collector. |
| Step 4 | <pre>source interface-type number</pre> <p><b>Example:</b><br/> <pre>switch(config-flow-exporter)# source ethernet 2/1</pre></p>                               | Specifies the interface to use to reach the NetFlow collector at the configured destination.                                             |
| Step 5 | <pre>version {5   9}</pre> <p><b>Example:</b><br/> <pre>switch(config-flow-exporter)# version 9 switch(config-flow-exporter-version-9)#</pre></p>              | Specifies the NetFlow export version. Version 9 enters the export version configuration submenu.                                         |
| Step 6 | <pre>show flow exporter [name]</pre> <p><b>Example:</b><br/> <pre>switch(config-flow-exporter)# show flow exporter</pre></p>                                   | (Optional) Displays information about NetFlow flow exporters.                                                                            |
| Step 7 | <pre>copy running-config startup-config</pre> <p><b>Example:</b><br/> <pre>switch(config-flow-exporter)# copy running-config startup-config</pre></p>          | (Optional) Saves this configuration change.                                                                                              |

***Send document comments to [nexus7k-docfeedback@cisco.com](mailto:nexus7k-docfeedback@cisco.com).***

You can optionally configure the following parameters for flow exporters:

| Command                                                                                                          | Purpose                                                                                     |
|------------------------------------------------------------------------------------------------------------------|---------------------------------------------------------------------------------------------|
| <b>description</b> <i>string</i><br><br><b>Example:</b><br>switch(config-flow-exporter)#<br>description ExportV9 | Describes this flow exporter as a maximum 63-character string.                              |
| <b>dscp</b> <i>value</i><br><br><b>Example:</b><br>switch(config-flow-exporter)# dscp 0                          | Specifies the differentiated services codepoint value. The range is from 0 to 63.           |
| <b>transport udp number</b><br><br><b>Example:</b><br>switch(config-flow-exporter)# transport<br>udp 200         | Specifies the UDP port to use to reach the NetFlow collector. The range is from 0 to 65535. |

You can optionally configure the following parameters in flow exporter version configuration submode:

| Command                                                                                                                                                                                                                       | Purpose                                                                    |
|-------------------------------------------------------------------------------------------------------------------------------------------------------------------------------------------------------------------------------|----------------------------------------------------------------------------|
| <b>option</b> { <b>exporter-stats</b>   <b>interface-table</b>   <b>sampler-table</b> } <b>timeout</b> <i>seconds</i><br><br><b>Example:</b><br>switch(config-flow-exporter-version-9)#<br>option exporter-stats timeout 1200 | Sets the exporter resend timer. The range is from 1 to 86400 seconds.      |
| <b>template data timeout</b> <i>seconds</i><br><br><b>Example:</b><br>switch(config-flow-exporter-version-9)#<br>template data timeout 1200                                                                                   | Sets the template data resend timer. The range is from 1 to 86400 seconds. |

## Creating a Flow Monitor

You can create a flow monitor and associate it with a flow record and a flow exporter.

### BEFORE YOU BEGIN

Make sure that you are in the correct VDC. To change the VDC, use the **switchto vdc** command.

### SUMMARY STEPS

1. **config t**
2. **flow monitor** *name*
3. **description** *string*
4. **exporter** *name*
5. **record** {*name* | **netflow-original** | **netflow protocol-port** | **netflow** {**ipv4** | **ipv6**} {**original-input** | **original-output**}}

**Send document comments to [nexus7k-docfeedback@cisco.com](mailto:nexus7k-docfeedback@cisco.com).**

6. `show flow monitor [name]`
7. `copy running-config startup-config`

## DETAILED STEPS

|        | Command                                                                                                                                                                                                            | Purpose                                                                                |
|--------|--------------------------------------------------------------------------------------------------------------------------------------------------------------------------------------------------------------------|----------------------------------------------------------------------------------------|
| Step 1 | <pre>config t</pre> <p><b>Example:</b><br/> <pre>switch# config t Enter configuration commands, one per line. End with CNTL/Z. switch(config)#</pre></p>                                                           | Places you in global configuration mode.                                               |
| Step 2 | <pre>flow monitor name</pre> <p><b>Example:</b><br/> <pre>switch(config)# flow monitor MonitorTest switch(config-flow-monitor)#</pre></p>                                                                          | Creates a flow monitor and enters flow monitor configuration mode.                     |
| Step 3 | <pre>description string</pre> <p><b>Example:</b><br/> <pre>switch(config-flow-monitor)# description Ipv4Monitor</pre></p>                                                                                          | (Optional) Describes the flow monitor with an alphanumeric string up to 63 characters. |
| Step 4 | <pre>exporter name</pre> <p><b>Example:</b><br/> <pre>switch(config-flow-monitor)# exporter Exportv9</pre></p>                                                                                                     | Associates a flow exporter with this flow monitor.                                     |
| Step 5 | <pre>record {name   netflow-original   netflow protocol-port   netflow {ipv4   ipv6} {original-input   original-output}}</pre> <p><b>Example:</b><br/> <pre>switch(config-flow-monitor)# record IPv4Flow</pre></p> | Associates a flow record with the specified flow monitor.                              |
| Step 6 | <pre>show flow monitor [name]</pre> <p><b>Example:</b><br/> <pre>switch(config-flow-monitor)# show flow monitor</pre></p>                                                                                          | (Optional) Displays information about NetFlow flow monitors.                           |
| Step 7 | <pre>copy running-config startup-config</pre> <p><b>Example:</b><br/> <pre>switch(config-flow-monitor)# copy running-config startup-config</pre></p>                                                               | (Optional) Saves this configuration change.                                            |

## Creating a Sampler

You can create a sampler to define the NetFlow sampling rate for a flow.

### BEFORE YOU BEGIN

Make sure that you are in the correct VDC. To change the VDC, use the `switchto vdc` command.

***Send document comments to [nexus7k-docfeedback@cisco.com](mailto:nexus7k-docfeedback@cisco.com).***

## SUMMARY STEPS

1. **config t**
2. **sampler *name***
3. **description *string***
4. **mode *samples out-of packets***
5. **show sampler [*name*]**
6. **copy running-config startup-config**

## DETAILED STEPS

|        | Command                                                                                                                                       | Purpose                                                                                                                                                   |
|--------|-----------------------------------------------------------------------------------------------------------------------------------------------|-----------------------------------------------------------------------------------------------------------------------------------------------------------|
| Step 1 | <b>config t</b><br><br><b>Example:</b><br>switch# config t<br>Enter configuration commands, one per line. End with CNTL/Z.<br>switch(config)# | Places you in global configuration mode.                                                                                                                  |
| Step 2 | <b>sampler <i>name</i></b><br><br><b>Example:</b><br>switch(config)# sampler SampleTest<br>switch(config-flow-sampler)#                       | Creates a sampler and enters flow sampler configuration mode.                                                                                             |
| Step 3 | <b>description <i>string</i></b><br><br><b>Example:</b><br>switch(config-flow-sampler)# description Samples                                   | (Optional) Describes the sampler with an alphanumeric string up to 63 characters.                                                                         |
| Step 4 | <b>mode <i>samples out-of packets</i></b><br><br><b>Example:</b><br>switch(config-flow-sampler)# mode 1 out-of 100                            | Defines the number of samples to take per the number of packets received. The samples range is from 1 to 64. The packets range is from 1 to 8192 packets. |
| Step 5 | <b>show sampler [<i>name</i>]</b><br><br><b>Example:</b><br>switch(config-flow-sampler)# show sampler                                         | (Optional) Displays information about NetFlow samplers.                                                                                                   |
| Step 6 | <b>copy running-config startup-config</b><br><br><b>Example:</b><br>switch(config-flow-sampler)# copy running-config startup-config           | (Optional) Saves this configuration change.                                                                                                               |

## Applying a Flow to an Interface

You can apply a flow monitor and an optional sampler to an interface.

### BEFORE YOU BEGIN

Make sure that you are in the correct VDC. To change the VDC, use the **switchto vdc** command.

**Send document comments to [nexus7k-docfeedback@cisco.com](mailto:nexus7k-docfeedback@cisco.com).**

## SUMMARY STEPS

1. **config t**
2. **interface** *interface-type number*
3. **ip flow monitor** *name* {input | output} [*sampler name*]
4. **ipv6 flow monitor** *name* {input | output} [*sampler name*]
5. **show flow interface** [*interface-type number*]
6. **copy running-config startup-config**

## DETAILED STEPS

|        | Command                                                                                                                                                        | Purpose                                                                                                                                           |
|--------|----------------------------------------------------------------------------------------------------------------------------------------------------------------|---------------------------------------------------------------------------------------------------------------------------------------------------|
| Step 1 | <b>config t</b><br><br><b>Example:</b><br>switch# config t<br>Enter configuration commands, one per line. End with CNTL/Z.<br>switch(config)#                  | Places you in global configuration mode.                                                                                                          |
| Step 2 | <b>interface</b> <i>interface-type number</i><br><br><b>Example:</b><br>switch(config)# interface ethernet 2/1<br>switch(config-if)#                           | Enters interface configuration mode. The interface type can be Ethernet (including subinterfaces), port channel, VLAN, VLAN interface, or tunnel. |
| Step 3 | <b>ip flow monitor</b> <i>name</i> {input   output} [ <i>sampler name</i> ]<br><br><b>Example:</b><br>switch(config-if)# ip flow monitor MonitorTest input     | Associates an IPv4 flow monitor and an optional sampler to the interface for input or output packets.                                             |
| Step 4 | <b>ipv6 flow monitor</b> <i>name</i> {input   output} [ <i>sampler name</i> ]<br><br><b>Example:</b><br>switch(config-if)# ipv6 flow monitor MonitorTest input | Associates an IPv6 flow monitor and an optional sampler to the interface for input or output packets.                                             |
| Step 5 | <b>show flow interface</b> [ <i>interface-type number</i> ]<br><br><b>Example:</b><br>switch(config-if)# show flow interface                                   | (Optional) Displays information about NetFlow on an interface.                                                                                    |
| Step 6 | <b>copy running-config startup-config</b><br><br><b>Example:</b><br>switch(config-if)# copy running-config startup-config                                      | (Optional) Saves this configuration change.                                                                                                       |

## Configuring Bridged NetFlow on a VLAN

You can apply a flow monitor and an optional sampler to a VLAN.

***Send document comments to [nexus7k-docfeedback@cisco.com](mailto:nexus7k-docfeedback@cisco.com).***

## BEFORE YOU BEGIN

Make sure that you are in the correct VDC. To change the VDC, use the **switchto vdc** command.

## SUMMARY STEPS

1. **config t**
2. **vlan [configuration] vlan-id**
3. **ip flow monitor name {input | output} [sampler name]**
4. **copy running-config startup-config**

## DETAILED STEPS

|        | Command                                                                                                                                             | Purpose                                                                                                                                                                                                                                                       |
|--------|-----------------------------------------------------------------------------------------------------------------------------------------------------|---------------------------------------------------------------------------------------------------------------------------------------------------------------------------------------------------------------------------------------------------------------|
| Step 1 | <b>config t</b><br><br><b>Example:</b><br>switch# config t<br>Enter configuration commands, one per line. End with CNTL/Z.<br>switch(config)#       | Places you in global configuration mode.                                                                                                                                                                                                                      |
| Step 2 | <b>vlan [configuration] vlan-id</b><br><br><b>Example:</b><br>switch(config)# vlan configuration 30<br>switch(config-vlan-config)#                  | Enters VLAN or VLAN configuration mode. The <i>vlan-id</i> range is from 1 to 3967 or from 4048 to 4093.<br><br><b>Note</b> VLAN configuration mode enables you to configure VLANs independently of their creation, which is required for VTP client support. |
| Step 3 | <b>ip flow monitor name {input   output} [sampler name]</b><br><br><b>Example:</b><br>switch(config-vlan-config)# ip flow monitor MonitorTest input | Associates a flow monitor and an optional sampler to the VLAN for input or output packets.                                                                                                                                                                    |
| Step 4 | <b>copy running-config startup-config</b><br><br><b>Example:</b><br>switch(config-vlan-config)# copy running-config startup-config                  | (Optional) Saves this configuration change.                                                                                                                                                                                                                   |

## Configuring Layer 2 NetFlow

You can define Layer 2 keys in flexible NetFlow records that you can use to capture flows in Layer 2 interfaces. The Layer 2 keys are as follows:

- Source and destination MAC addresses
- Source VLAN ID
- EtherType from the Ethernet frame

You can apply Layer 2 NetFlow to the following interfaces for the ingress direction:

- Switch ports in access mode

**Send document comments to [nexus7k-docfeedback@cisco.com](mailto:nexus7k-docfeedback@cisco.com).**

- Switch ports in trunk mode
- Layer 2 port channels



**Note**

You cannot apply Layer 2 NetFlow to VLANs, egress interfaces, or Layer 3 interfaces such as VLAN interfaces.

## BEFORE YOU BEGIN

Make sure that you are in the correct VDC. To change the VDC, use the **switchto vdc** command.

## SUMMARY STEPS

1. **config t**
2. **flow record *name***
3. **match datalink {mac source-address | mac destination-address | ethertype | vlan}**
4. **interface {ethernet *slot/port*} | {port-channel *number*}**
5. **switchport**
6. **mac packet-classify**
7. **layer2-switched flow monitor *flow-name* input [sampler *sampler-name*]**
8. **show flow record netflow layer2-switched input**
9. **copy running-config startup-config**

## DETAILED STEPS

|        | Command                                                                                                                                                                | Purpose                                                                                                                                            |
|--------|------------------------------------------------------------------------------------------------------------------------------------------------------------------------|----------------------------------------------------------------------------------------------------------------------------------------------------|
| Step 1 | <b>config t</b><br><br><b>Example:</b><br>switch# config t<br>Enter configuration commands, one per line. End with CNTL/Z.<br>switch(config)#                          | Places you in global configuration mode.                                                                                                           |
| Step 2 | <b>flow record <i>name</i></b><br><br><b>Example:</b><br>switch(config)# flow record L2_record                                                                         | Enters flow record configuration mode. For more information about configuring flow records, see the “Creating a Flow Record” section on page 19-6. |
| Step 3 | <b>match datalink {mac source-address   mac destination-address   ethertype   vlan}</b><br><br><b>Example:</b><br>switch(config-flow-record)# match datalink ethertype | Specifies the Layer 2 attribute as a key.                                                                                                          |



**Send document comments to [nexus7k-docfeedback@cisco.com](mailto:nexus7k-docfeedback@cisco.com).**

|        | Command                                                                                                                                                                                                                       | Purpose                                                                                                                                                                                                                                                                                                   |
|--------|-------------------------------------------------------------------------------------------------------------------------------------------------------------------------------------------------------------------------------|-----------------------------------------------------------------------------------------------------------------------------------------------------------------------------------------------------------------------------------------------------------------------------------------------------------|
| Step 4 | <pre>interface {ethernet slot/port}   {port-channel number}  <b>Example 1:</b> switch(config)# interface ethernet 2/1 switch(config-if)#  <b>Example 2:</b> switch(config)# interface port-channel 8 switch(config-if)#</pre> | Enters interface configuration mode. The interface type can be a physical Ethernet port or a port channel.                                                                                                                                                                                                |
| Step 5 | <pre>switchport  <b>Example:</b> switch(config-if)# switchport</pre>                                                                                                                                                          | Changes the interface to a Layer 2 physical interface. For information about configuring switch ports, see the <i>Cisco Nexus 7000 Series NX-OS Layer 2 Switching Configuration Guide, Release 5.x</i> .                                                                                                  |
| Step 6 | <pre>mac packet-classify  <b>Example:</b> switch(config-if)# mac packet-classify</pre>                                                                                                                                        | Forces MAC classification of packets. For more information about using the <b>mac packet-classify</b> command, see the <i>Cisco Nexus 7000 Series NX-OS Security Configuration Guide, Release 5.x</i> .                                                                                                   |
| Step 7 | <pre>layer2-switched flow monitor flow-name input [sampler sampler-name]  <b>Example:</b> switch(config-vlan)# layer2-switched flow monitor L2_monitor input sampler L2_sampler</pre>                                         | Associates a flow monitor and an optional sampler to the switch port input packets. For information about flow monitors, see the “ <a href="#">Creating a Flow Monitor</a> ” section on page 19-11. For information about samplers, see the “ <a href="#">Creating a Sampler</a> ” section on page 19-12. |
| Step 8 | <pre>show flow record netflow layer2-switched input  <b>Example:</b> switch(config-if)# show flow record netflow layer2-switched input</pre>                                                                                  | (Optional) Displays information about the Layer 2 NetFlow default record.                                                                                                                                                                                                                                 |
| Step 9 | <pre>copy running-config startup-config  <b>Example:</b> switch(config-vlan)# copy running-config startup-config</pre>                                                                                                        | (Optional) Saves this configuration change.                                                                                                                                                                                                                                                               |

## Configuring NetFlow Timeouts

You can optionally configure global NetFlow timeouts that apply to all flows.

Use the following commands in global configuration mode to configure NetFlow timeout parameters:

| Command                                                                                                                    | Purpose                                                                                                                                               |
|----------------------------------------------------------------------------------------------------------------------------|-------------------------------------------------------------------------------------------------------------------------------------------------------|
| <pre>flow timeout active seconds  <b>Example:</b> switch(config)# flow timeout active 90</pre>                             | Sets the active timeout value in seconds. The range is from 60 to 4092. The default is 1800.                                                          |
| <pre>flow timeout aggressive threshold percent  <b>Example:</b> switch(config)# flow timeout aggressive threshold 90</pre> | Enables using a percentage that you want the NetFlow table to be before aggressive aging starts. The range is from 50 to 99. The default is disabled. |

**Send document comments to [nexus7k-docfeedback@cisco.com](mailto:nexus7k-docfeedback@cisco.com).**

| Command                                                                                                                                                     | Purpose                                                                                                                                                                                                       |
|-------------------------------------------------------------------------------------------------------------------------------------------------------------|---------------------------------------------------------------------------------------------------------------------------------------------------------------------------------------------------------------|
| <b>flow timeout fast</b> <i>seconds</i> <b>threshold</b><br><i>packets</i><br><br><b>Example:</b><br>switch(config)# flow timeout fast 40<br>threshold 1200 | Enables using a fast timeout value and the number of packets in a flow before aging begins. The fast timeout range in seconds is from 32 to 512. The packet range is from 1 to 4000. The default is disabled. |
| <b>flow timeout inactive</b> <i>seconds</i><br><br><b>Example:</b><br>switch(config)# flow timeout inactive<br>900                                          | Sets the inactive timeout value in seconds. The range is from 15 to 4092. The default is 15.                                                                                                                  |
| <b>flow timeout session</b><br><br><b>Example:</b><br>switch(config)# flow timeout session                                                                  | Enables TCP session aging. The default is disabled.                                                                                                                                                           |

## Verifying the NetFlow Configuration

To display NetFlow configuration information, perform one of the following tasks:

| Command                                                                                                                                                                                                                                                                                                                                                                    | Purpose                                                               |
|----------------------------------------------------------------------------------------------------------------------------------------------------------------------------------------------------------------------------------------------------------------------------------------------------------------------------------------------------------------------------|-----------------------------------------------------------------------|
| <b>show flow exporter</b> [ <i>name</i> ]                                                                                                                                                                                                                                                                                                                                  | Displays information about NetFlow flow exporters and statistics.     |
| <b>show flow interface</b> [ <i>interface-type number</i> ]                                                                                                                                                                                                                                                                                                                | Displays information about NetFlow interfaces.                        |
| <b>show flow monitor</b> [ <i>name</i> ] [ <b>cache</b> [ <b>detailed</b> ]]                                                                                                                                                                                                                                                                                               | Displays information about NetFlow flow monitors and statistics.      |
| <b>show flow record</b> [ <i>name</i> ]                                                                                                                                                                                                                                                                                                                                    | Displays information about NetFlow flow records.                      |
| <b>show flow record netflow layer2-switched input</b>                                                                                                                                                                                                                                                                                                                      | Displays information about the Layer 2 NetFlow configuration.         |
| <b>show flow timeout</b>                                                                                                                                                                                                                                                                                                                                                   | Displays information about NetFlow timeouts.                          |
| <b>show hardware flow aging</b> [ <b>vdc</b> <i>vdc_id</i> ] [ <b>detail</b> ] [ <b>module</b> <i>module</i> ]                                                                                                                                                                                                                                                             | Displays information about NetFlow aging flows in the hardware.       |
| <b>show hardware flow entry address</b> <i>table-address</i> <b>type</b> { <i>ip</i>   <i>ipv6</i> } [ <b>module</b> <i>module</i> ]                                                                                                                                                                                                                                       | Displays information about NetFlow table entries in the hardware.     |
| <b>show hardware flow ip</b> [ <b>detail</b>   <b>instance</b> <i>instance</i>   <b>interface</b> <i>type number</i>   <b>module</b> <i>module</i>   <b>monitor</b> <i>monitor_name</i>   <b>profile</b> <i>profile-id</i>   <b>vdc</b> <i>vdc_id</i>   <b>vlan</b> <i>vlan_id</i> ] [ <b>detail</b> ] [ <b>instance</b> <i>instance</i> ] [ <b>module</b> <i>module</i> ] | Displays information about NetFlow IPv4 flows in the hardware.        |
| <b>show hardware flow sampler</b> [ <b>all</b>   <b>count</b>   <b>index</b> <i>number</i>   <b>name</b> <i>sampler-name</i>   <b>vdc</b> <i>vdc_id</i> ] [ <b>detail</b> ] [ <b>module</b> <i>module</i> ]                                                                                                                                                                | Displays information about the NetFlow sampler in the hardware.       |
| <b>show hardware flow utilization</b> [ <b>module</b> <i>module</i>   <b>instance</b> <i>instance</i> ] [ <b>module</b> <i>module</i> ]                                                                                                                                                                                                                                    | Displays information about NetFlow table utilization in the hardware. |
| <b>show sampler</b> [ <i>name</i> ]                                                                                                                                                                                                                                                                                                                                        | Displays information about NetFlow samplers.                          |

***Send document comments to [nexus7k-docfeedback@cisco.com](mailto:nexus7k-docfeedback@cisco.com).***

## Monitoring NetFlow

Use the **show flow exporter** command to display NetFlow statistics.

Use the **clear flow exporter** command to clear NetFlow exporter statistics. Use the **clear flow monitor** command to clear the monitor cache and statistics.

## Configuration Example for NetFlow

This example shows how to create a flow and apply it to an interface:

```
feature netflow
flow exporter ee
  version 9
flow record rr
  match ipv4 source address
  match ipv4 destination address
  collect counter bytes
  collect counter packets
flow monitor foo
  record rr
  exporter ee
interface Ethernet2/45
  ip flow monitor foo output
  ip address 10.20.1.1/24
  no shutdown
```

## Additional References

For additional information related to implementing NetFlow, see the following sections:

- [Related Documents, page 19-19](#)
- [Standards, page 19-20](#)

## Related Documents

| Related Topic        | Document Title                                                                               |
|----------------------|----------------------------------------------------------------------------------------------|
| NetFlow CLI commands | <i>Cisco Nexus 7000 Series NX-OS System Management Command Reference</i>                     |
| VDCs and VRFs        | <i>Cisco Nexus 7000 Series NX-OS Virtual Device Context Configuration Guide, Release 5.x</i> |

**[Send document comments to nexus7k-docfeedback@cisco.com.](mailto:nexus7k-docfeedback@cisco.com)**

## Standards

| Standards                                                                                                                             | Title |
|---------------------------------------------------------------------------------------------------------------------------------------|-------|
| No new or modified standards are supported by this feature, and support for existing standards has not been modified by this feature. | —     |

## Feature History for NetFlow

Table 19-2 lists the release history for this feature.

**Table 19-2** Feature History for NetFlow

| Feature Name            | Releases | Feature Information                                                                                                                                                                                                                                                                |
|-------------------------|----------|------------------------------------------------------------------------------------------------------------------------------------------------------------------------------------------------------------------------------------------------------------------------------------|
| NetFlow                 | 5.2(1)   | NetFlow is supported on switch virtual interfaces (SVIs) for F1 Series ports.                                                                                                                                                                                                      |
| Bridged NetFlow         | 5.1(1)   | VLAN configuration mode, which enables you to configure VLANs independently of their creation, is supported when configuring bridged NetFlow on a VLAN.<br><br>See the “ <a href="#">Configuring Bridged NetFlow on a VLAN</a> ” section on page 19-14.                            |
| NetFlow verification    | 5.0(2)   | You can specify the NetFlow instance for which you want to display NetFlow IPv4 flows and NetFlow table utilization.<br><br>See the “ <a href="#">Verifying the NetFlow Configuration</a> ” section on page 19-18.                                                                 |
| Layer 2 NetFlow         | 4.2(1)   | You can define Layer 2 keys in flexible NetFlow records that you can use to capture flows in Layer 2 interfaces.<br><br>See the “ <a href="#">Guidelines and Limitations</a> ” section on page 19-4 and the “ <a href="#">Configuring Layer 2 NetFlow</a> ” section on page 19-15. |
| Rollback during NetFlow | 4.1(3)   | Rollback fails for NetFlow if, during rollback, you try to modify a record that is programmed in the hardware.<br><br>See the “ <a href="#">Guidelines and Limitations</a> ” section on page 19-4.                                                                                 |

*Send document comments to [nexus7k-docfeedback@cisco.com](mailto:nexus7k-docfeedback@cisco.com).*



## APPENDIX **A**

# IETF RFCs supported by Cisco NX-OS System Management

---

This appendix lists the IETF RFCs for system management supported in Cisco NX-OS.

## RFCs

| RFCs                              | Title                                                                                                 |
|-----------------------------------|-------------------------------------------------------------------------------------------------------|
| <a href="#">RFC 2819</a>          | <i>Remote Network Monitoring Management Information Base</i>                                          |
| <a href="#">RFC 3164</a>          | <i>The BSD syslog Protocol</i>                                                                        |
| <a href="#">RFCs 3411 to 3418</a> | <i>An Architecture for Describing Simple Network Management Protocol (SNMP) Management Frameworks</i> |
| <a href="#">RFC 3954</a>          | <i>Cisco Systems NetFlow Services Export Version 9</i>                                                |

***Send document comments to [nexus7k-docfeedback@cisco.com](mailto:nexus7k-docfeedback@cisco.com).***



## APPENDIX **B**

# Embedded Event Manager System Events and Configuration Examples

This appendix describes the Embedded Event Manager (EEM) system policies, events, and policy configuration examples.

This appendix includes the following sections:

- [EEM System Policies, page B-1](#)
- [EEM Events, page B-3](#)
- [Configuration Examples for EEM Policies, page B-4](#)
- [Feature History for EEM Policies, page B-15](#)

## EEM System Policies

Table B-1 lists the Embedded Event Manger (EEM) system policies.

**Table B-1** EEM System Policies

| Event                   | Description                                                                                                                                                      |
|-------------------------|------------------------------------------------------------------------------------------------------------------------------------------------------------------|
| __PortLoopback          | Do CallHome, log error in Syslog/OBFL/Exception Log, and disable further HM testing on affected ports after 10 consecutive failures of GOLD "PortLoopback" test  |
| __RewriteEngineLoopback | Do CallHome, log error in Syslog/OBFL/Exception Log, and disable further HM testing on affected ports after 10 consecutive failures of GOLD "RewriteEngine" test |
| __asic_register_check   | Do CallHome, log error, and disable further HM testing for that ASIC device/instance after 20 consecutive failures of GOLD "ASICRegisterCheck" test              |
| __compact_flash         | Do CallHome, log error, and disable further HM testing after 20 consecutive failures of GOLD "CompactFlash" test                                                 |
| __crypto_device         | Do CallHome and log error when GOLD "CryptoDevice" test fails                                                                                                    |
| __eobc_port_loopback    | Do CallHome and log error when GOLD "EOBCPortLoopback" test fails                                                                                                |
| __ethpm_debug_1         | Action: none                                                                                                                                                     |

**Send document comments to [nexus7k-docfeedback@cisco.com](mailto:nexus7k-docfeedback@cisco.com).**

**Table B-1 EEM System Policies (continued)**

| Event                         | Description                                                                                                                                                                                                                                     |
|-------------------------------|-------------------------------------------------------------------------------------------------------------------------------------------------------------------------------------------------------------------------------------------------|
| __ethpm_debug_2               | Action: none                                                                                                                                                                                                                                    |
| __ethpm_debug_3               | Action: none                                                                                                                                                                                                                                    |
| __ethpm_debug_4               | Action: none                                                                                                                                                                                                                                    |
| __ethpm_link_flap             | More than 30 link flaps in a 420-second interval. Action: Error. Disable the port                                                                                                                                                               |
| __external_compact_flash      | Do CallHome, log error, and disable further HM testing after 20 consecutive failures of GOLD "ExternalCompactFlash" test                                                                                                                        |
| __lamira_IDS_pkt_drop         | Generates syslog on IDS drops<br><br><b>Note</b> The system generates a maximum of one syslog every 30 minutes when an intrusion detection system (IDS) packet is dropped. The syslog is generated as soon as the first IDS packet drop occurs. |
| __lcm_module_failure          | Power cycle two times and then power down                                                                                                                                                                                                       |
| __management_port_loopback    | Do CallHome and log error when GOLD "ManagementPortLoopback" test fails                                                                                                                                                                         |
| __nvram                       | Do CallHome, log error, and disable further HM testing after 20 consecutive failures of GOLD "NVRAM" test                                                                                                                                       |
| __pfm_fanabsent_all_systemfan | Shuts down if both fan trays (f1 and f2) are absent for 2 minutes                                                                                                                                                                               |
| __pfm_fanabsent_all_xbarfan   | Cisco Nexus 7010 switch only: Shuts down if both fabric module fan trays (f3 and f4) are absent for 2 minutes                                                                                                                                   |
| __pfm_fanabsent_any_singlefan | Cisco Nexus 7018 switch: Shuts down half-chassis if the fan tray is absent for 3 minutes<br><br>Cisco Nexus 7010 switch: Syslog (The remaining fan tray increases its speed if one fan tray is absent.)                                         |
| __pfm_fanbad_all_systemfan    | Syslog when fan goes bad                                                                                                                                                                                                                        |
| __pfm_fanbad_all_xbarfan      | Cisco Nexus 7010 switch only: Shuts down if both fabric module fans (f3 and f4) are bad for 2 minutes                                                                                                                                           |
| __pfm_fanbad_any_singlefan    | Syslog when fan goes bad                                                                                                                                                                                                                        |
| __pfm_power_over_budget       | Syslog warning for insufficient power overbudget                                                                                                                                                                                                |
| __pfm_tempev_major            | TempSensor Major Threshold. Action: Shutdown                                                                                                                                                                                                    |
| __pfm_tempev_minor            | TempSensor Minor Threshold. Action: Syslog                                                                                                                                                                                                      |
| __primary_bootrom             | Do CallHome, log error, and disable further HM testing after 20 consecutive failures of GOLD "PrimaryBootROM" test                                                                                                                              |
| __pwr_mgmt_bus                | Do CallHome, log error, and disable further HM testing for the module or spine-card after 20 consecutive failures of GOLD "PwrMgmtBus" test                                                                                                     |
| __real_time_clock             | Do CallHome, log error, and disable further HM testing after 20 consecutive failures of GOLD "RealTimeClock" test                                                                                                                               |
| __secondary_bootrom           | Do CallHome, log error, and disable further HM testing after 20 consecutive failures of GOLD "SecondaryBootROM" test                                                                                                                            |



**[Send document comments to nexus7k-docfeedback@cisco.com.](mailto:nexus7k-docfeedback@cisco.com)**

**Table B-1 EEM System Policies (continued)**

| Event                     | Description                                                                                                                                       |
|---------------------------|---------------------------------------------------------------------------------------------------------------------------------------------------|
| __spine_control_bus       | Do CallHome, log error, and disable further HM testing for that module or spine-card after 20 consecutive failures of GOLD "SpineControlBus" test |
| __standby_fabric_loopback | Do CallHome, log error, and disable further HM testing after 10 consecutive failures                                                              |
| __status_bus              | Do CallHome, log error, and disable further HM testing after 5 consecutive failures of GOLD "StatusBus" test                                      |
| __system_mgmt_bus         | Do Call Home, log error, and disable further HM testing for that fan or power supply after 20 consecutive failures of GOLD "SystemMgmtBus" test   |
| __usb                     | Do Call Home and log error when GOLD "USB" test fails                                                                                             |

## EEM Events

Table B-2 describes the EEM events you can use on the device.

**Table B-2 EEM Events**

| EEM Event       | Description                                                                                  |
|-----------------|----------------------------------------------------------------------------------------------|
| cli             | CLI command is entered that matches a pattern with a wildcard.                               |
| counter         | EEM counter reaches a specified value or range.                                              |
| fanabsent       | System fan tray is absent.                                                                   |
| fanbad          | System fan generates a fault.                                                                |
| gold            | GOLD test failure condition is hit.                                                          |
| memory          | Available system memory exceeds a threshold.                                                 |
| module          | Specified module enters the selected status.                                                 |
| module-failure  | Module failure is generated.                                                                 |
| oir             | Online insertion or removal occurs.                                                          |
| policy-default  | Default parameters and thresholds are used for the events in the system policy you override. |
| poweroverbudget | Platform software detects a power budget condition.                                          |
| snmp            | SNMP object ID (OID) state changes.                                                          |
| storm-control   | Platform software detects an Ethernet packet storm condition.                                |
| syslog          | Monitors syslog messages and invokes the policy based on the search string in the policy.    |
| sysmgr          | System manager generates an event.                                                           |
| temperature     | Temperature level in the system exceeds a threshold.                                         |
| track           | Tracked object changes state.                                                                |

***Send document comments to [nexus7k-docfeedback@cisco.com](mailto:nexus7k-docfeedback@cisco.com).***

## Configuration Examples for EEM Policies

This section includes the following topics:

- [Configuration Examples for CLI Events, page B-4](#)
- [Configuration Examples to Override \(Disable\) Major Thresholds, page B-5](#)
- [Configuration Examples to Override \(Disable\) Shutdown for Fan Tray Removal, page B-8](#)
- [Configuration Examples to Create a Supplemental Policy, page B-11](#)
- [Configuration Examples for the Power Over-Budget Policy, page B-11](#)
- [Configuration Examples to Select Modules to Shut Down, page B-12](#)
- [Configuration Examples for the Online Insertion Removal Event, page B-13](#)
- [Configuration Example to Generate a User Syslog, page B-13](#)
- [Configuration Example to Monitor Syslog Messages, page B-14](#)
- [Configuration Examples for SNMP Notification, page B-14](#)
- [Configuration Example for Port Tracking, page B-15](#)

## Configuration Examples for CLI Events

This section includes the following examples of CLI event configuration:

- [Monitoring Interface Shutdown, page B-4](#)
- [Monitoring Module Powerdown, page B-4](#)
- [Adding a Trigger to Initiate a Rollback, page B-5](#)

### Monitoring Interface Shutdown

This example shows how to monitor an interface shutdown:

```
switch# config t
Enter configuration commands, one per line. End with CNTL/Z.
switch(config)# event manager applet monitorShutdown
switch(config-applet)#
switch(config-applet)# description "Monitors interface shutdown."
switch(config-applet)# event cli match "conf t; interface *; shutdown"
switch(config-applet)# action 1.0 cli show interface e 3/1
switch(config)# copy running-config startup-config
```



#### Note

Outputs of **show** commands entered as part of EEM policy are archived in the logflash as text files with the "eem\_archive\_" prefix. To view the archived output, use the **show file logflash:eem\_archive\_n** command.

### Monitoring Module Powerdown

This example shows how to monitor a module powerdown:

```
switch# config t
Enter configuration commands, one per line. End with CNTL/Z.
switch(config)# event manager applet monitorPoweroff
switch(config-applet)#
```

***Send document comments to [nexus7k-docfeedback@cisco.com](mailto:nexus7k-docfeedback@cisco.com).***

```
switch(config-applet)# description "Monitors module power down."  
switch(config-applet)# event cli match "conf t; poweroff **"  
switch(config-applet)# action 1.0 cli show module  
switch(config)# copy running-config startup-config
```

## Adding a Trigger to Initiate a Rollback

This example shows how to add a trigger to initiate a rollback:

```
switch# config t  
Enter configuration commands, one per line. End with CNTL/Z.  
switch(config)#  
switch(config)# event manager applet rollbackTrigger  
switch(config-applet)#  
switch(config-applet)# description "Rollback trigger."  
switch(config-applet)# event cli match "rollback **"  
switch(config-applet)# action 1.0 cli copy running-config bootflash:last_config  
switch(config)# copy running-config startup-config
```

## Configuration Examples to Override (Disable) Major Thresholds

This section includes the following topics:

- [Preventing a Shutdown When Reaching a Major Threshold, page B-5](#)
- [Disabling One Bad Sensor, page B-6](#)
- [Disabling Multiple Bad Sensors, page B-6](#)
- [Overriding \(Disabling\) an Entire Module, page B-6](#)
- [Overriding \(Disabling\) Multiple Modules and Sensors, page B-7](#)
- [Enabling One Sensor While Disabling All Remaining Sensors of All Modules, page B-7](#)
- [Enabling Multiple Sensors While Disabling All Remaining Sensors of All Modules, page B-7](#)
- [Enabling All Sensors of One Module While Disabling All Sensors of the Remaining Modules, page B-8](#)
- [Enabling a Combination of Sensors on Modules While Disabling All Sensors of the Remaining Modules, page B-8](#)

## Preventing a Shutdown When Reaching a Major Threshold

This example shows how to prevent a shutdown caused by reaching a major threshold:

```
switch# config t  
switch(config)# event manager applet myappletname override __pfm_tempev_major  
switch(config)# end
```

This example shows how to revert to the default configuration:

```
switch# config t  
switch(config)# no event manager applet myappletname override __pfm_tempev_major  
switch(config)# end
```

***Send document comments to [nexus7k-docfeedback@cisco.com](mailto:nexus7k-docfeedback@cisco.com).***

## Disabling One Bad Sensor

This example shows how to disable only sensor 3 on module 2 when sensor 3 is malfunctioning (all other sensors are unaffected):

```
switch# config t
switch(config)# event manager applet myappletname override __pfm_tempev_major
switch(config-applet)# event temperature module 2 sensor 3 threshold major
switch(config-applet)# end
```

This example shows how to revert to the default configuration:

```
switch# config t
switch(config)# no event manager applet myappletname override __pfm_tempev_major
switch(config)# end
```

## Disabling Multiple Bad Sensors

This example shows how to disable sensors 5, 6, and 7 on module 2 when these sensors are malfunctioning (all other sensors are unaffected):

```
switch# config t
switch(config)# event manager applet myappletname override __pfm_tempev_major
switch(config-applet)# event temperature module 2 sensor 5 threshold major
switch(config-applet)# end
switch# config t
switch(config)# event manager applet myappletname override __pfm_tempev_major
switch(config-applet)# event temperature module 2 sensor 6 threshold major
switch(config-applet)# end
switch# config t
switch(config)# event manager applet myappletname override __pfm_tempev_major
switch(config-applet)# event temperature module 2 sensor 7 threshold major
switch(config-applet)# end
```

This example shows how to revert to the default configuration:

```
switch# config t
switch(config)# no event manager applet myappletname override __pfm_tempev_major
switch(config)# end
```

## Overriding (Disabling) an Entire Module

This example shows how to disable module 2 when it is malfunctioning:

```
switch# config t
switch(config)# event manager applet myappletname override __pfm_tempev_major
switch(config-applet)# event temperature module 2 threshold major
switch(config-applet)# end
```

This example shows how to revert to the default configuration:

```
switch# config t
switch(config)# no event manager applet myappletname override __pfm_tempev_major
switch(config)# end
```

***Send document comments to [nexus7k-docfeedback@cisco.com](mailto:nexus7k-docfeedback@cisco.com).***

## Overriding (Disabling) Multiple Modules and Sensors

This example shows how to disable sensors 3, 4, and 7 on module 2 and all sensors on module 3 when they are malfunctioning:

```
switch# config t
switch(config)# event manager applet myappletname override __pfm_tempev_major
switch(config-applet)# event temperature module 2 sensor 3 threshold major
switch(config-applet)# end
switch# config t
switch(config)# event manager applet myappletname override __pfm_tempev_major
switch(config-applet)# event temperature module 2 sensor 4 threshold major
switch(config-applet)# end
switch# config t
switch(config)# event manager applet myappletname override __pfm_tempev_major
switch(config-applet)# event temperature module 2 sensor 7 threshold major
switch(config-applet)# end
switch# config t
switch(config)# event manager applet myappletname override __pfm_tempev_major
switch(config-applet)# event temperature module 3 threshold major
switch(config-applet)# end
```

This example shows how to revert to the default configuration:

```
switch# config t
switch(config)# no event manager applet myappletname override __pfm_tempev_major
switch(config)# end
```

## Enabling One Sensor While Disabling All Remaining Sensors of All Modules

This example shows how to disable all sensors on all modules except sensor 4 on module 9:

```
switch# config t
switch(config)# event manager applet myapplet1 override __pfm_tempev_major
switch(config-applet)# end
switch# config t
switch(config)# event manager applet myapplet2 override __pfm_tempev_major
switch(config-applet)# event temperature module 9 sensor 4 threshold major
switch(config-applet)# action 2 policy-default
switch(config-applet)# end
```

## Enabling Multiple Sensors While Disabling All Remaining Sensors of All Modules

This example shows how to disable all sensors on all modules except sensors 4, 6, and 7 on module 9:

```
switch# config t
switch(config)# event manager applet myapplet1 override __pfm_tempev_major
switch(config-applet)# end
switch# config t
switch(config)# event manager applet myapplet2 override __pfm_tempev_major
switch(config-applet)# event temperature module 9 sensor 4 threshold major
switch(config-applet)# action 2 policy-default
switch(config-applet)# end
switch# config t
switch(config)# event manager applet myapplet3 override __pfm_tempev_major
switch(config-applet)# event temperature module 9 sensor 6 threshold major
switch(config-applet)# action 3 policy-default
switch(config-applet)# end
switch# config t
switch(config)# event manager applet myapplet4 override __pfm_tempev_major
```

***Send document comments to [nexus7k-docfeedback@cisco.com](mailto:nexus7k-docfeedback@cisco.com).***

```
switch(config-applet)# event temperature module 9 sensor 7 threshold major
switch(config-applet)# action 4 policy-default
switch(config-applet)# end
```

## Enabling All Sensors of One Module While Disabling All Sensors of the Remaining Modules

This example shows how to disable all sensors on all modules except all sensors on module 9:

```
switch# config t
switch(config)# event manager applet myapplet1 override __pfm_tempev_major
switch(config-applet)# end
switch# config t
switch(config)# event manager applet myapplet2 override __pfm_tempev_major
switch(config-applet)# event temperature module 9 threshold major
switch(config-applet)# action 2 policy-default
switch(config-applet)# end
```

## Enabling a Combination of Sensors on Modules While Disabling All Sensors of the Remaining Modules

This example shows how to disable all sensors on all modules except sensors 3, 4, and 7 on module 2 and all sensors on module 3:

```
switch# config t
switch(config)# event manager applet myapplet1 override __pfm_tempev_major
switch(config-applet)# end
switch# config t
switch(config)# event manager applet myapplet2 override __pfm_tempev_major
switch(config-applet)# event temperature module 2 sensor 3 threshold major
switch(config-applet)# action 2 policy-default
switch(config-applet)# end
switch# config t
switch(config)# event manager applet myapplet3 override __pfm_tempev_major
switch(config-applet)# event temperature module 2 sensor 4 threshold major
switch(config-applet)# action 3 policy-default
switch(config-applet)# end
switch# config t
switch(config)# event manager applet myapplet4 override __pfm_tempev_major
switch(config-applet)# event temperature module 2 sensor 7 threshold major
switch(config-applet)# action 4 policy-default
switch(config-applet)# end
switch# config t
switch(config)# event manager applet myapplet5 override __pfm_tempev_major
switch(config-applet)# event temperature module 3 threshold major
switch(config-applet)# action 5 policy-default
switch(config-applet)# end
```

## Configuration Examples to Override (Disable) Shutdown for Fan Tray Removal

This section includes the following topics:

- [Overriding \(Disabling\) a Shutdown for Removal of One or More Fan Trays, page B-9](#)
- [Overriding \(Disabling\) a Shutdown for Removal of a Specified Fan Tray, page B-9](#)
- [Overriding \(Disabling\) a Shutdown for Removal of Multiple Specified Fan Trays, page B-9](#)
- [Overriding \(Disabling\) a Shutdown for Removal of All Fan Trays Except One, page B-10](#)

***Send document comments to [nexus7k-docfeedback@cisco.com](mailto:nexus7k-docfeedback@cisco.com).***

- [Overriding \(Disabling\) a Shutdown for Removal of Fan Trays Except for a Specified Set of Fan Trays, page B-10](#)
- [Overriding \(Disabling\) a Shutdown for Removal of All Fan Trays Except One from a Set of Fan Trays, page B-10](#)

**Note**

When you remove a fan tray from a Cisco Nexus 7010 switch, a shutdown does not occur. The remaining fan tray increases its speed, and a message is written to the syslog.

**Note**

When you remove a fan tray from a Cisco Nexus 7018 switch, the switch starts a 3-minute timer. If you do not replace the fan tray within that 3 minutes, the switch shuts down the modules cooled by that timer to prevent an overtemperature condition. If you override the timer with an EEM command, an overtemperature condition can occur, which will cause a shutdown.

**Overriding (Disabling) a Shutdown for Removal of One or More Fan Trays**

This example shows how to disable a shutdown so that you can remove one or more (or all) fan trays:

```
switch# config t
switch(config)# event manager applet myappletname override __pfm_fanabsent_any_singlefan
switch(config-applet)# end
```

This example shows how to revert to the default configuration:

```
switch# config t
switch(config)# no event manager applet myappletname override
__pfm_fanabsent_any_singlefan
switch(config-applet)# end
```

**Overriding (Disabling) a Shutdown for Removal of a Specified Fan Tray**

This example shows how to disable a shutdown so that you can remove a specified fan tray (fan tray 3):

```
switch# config t
switch(config)# event manager applet myappletname override __pfm_fanabsent_any_singlefan
switch(config-applet)# event fanabsent fan 3 time 60
switch(config-applet)# end
```

This example shows how to revert to the default configuration:

```
switch# config t
switch(config)# no event manager applet myappletname override __pfm_fanabsent_any_singlefan
switch(config)# end
```

**Overriding (Disabling) a Shutdown for Removal of Multiple Specified Fan Trays**

This example shows how to disable a shutdown so that you can remove multiple specified fan trays (fan trays 2, 3, and 4):

```
switch# config t
switch(config)# event manager applet myapplet1 override __pfm_fanabsent_any_singlefan
switch(config-applet)# event fanabsent fan 2 time 60
switch(config-applet)# end
switch# config t
switch(config)# event manager applet myapplet2 override __pfm_fanabsent_any_singlefan
switch(config-applet)# event fanabsent fan 3 time 60
```

***Send document comments to [nexus7k-docfeedback@cisco.com](mailto:nexus7k-docfeedback@cisco.com).***

```
switch(config-applet)# end
switch# config t
switch(config)# event manager applet myapplet3 override __pfm_fanabsent_any_singlefan
switch(config-applet)# event fanabsent fan 4 time 60
switch(config-applet)# end
```

This example shows how to revert to the default configuration:

```
switch# config t
switch(config)# no event manager applet myappletname override
__pfm_fanabsent_any_singlefan
switch(config)# end
```

## Overriding (Disabling) a Shutdown for Removal of All Fan Trays Except One

This example shows how to disable a shutdown so that you can remove all fan trays except one (fan tray 2):

```
switch# config t
switch(config)# event manager applet myapplet1 override __pfm_fanabsent_any_singlefan
switch(config-applet)# end
switch# config t
switch(config)# event manager applet myapplet2 override __pfm_fanabsent_any_singlefan
switch(config-applet)# event fanabsent fan 2 time 60
switch(config-applet)# action 2 policy-default
switch(config-applet)# end
```

## Overriding (Disabling) a Shutdown for Removal of Fan Trays Except for a Specified Set of Fan Trays

This example shows how to disable a shutdown so that you can remove fans except for a specified set of fan trays (fan trays 2, 3, and 4):

```
switch# config t
switch(config)# event manager applet myapplet1 override __pfm_fanabsent_any_singlefan
switch(config-applet)# end
switch(config)# event manager applet myapplet2 override __pfm_fanabsent_any_singlefan
switch(config-applet)# event fanabsent fan 2,3,4 time 60
switch(config-applet)# action 2 policy-default
switch(config-applet)# end
```

## Overriding (Disabling) a Shutdown for Removal of All Fan Trays Except One from a Set of Fan Trays

This example shows how to disable a shutdown so that you can remove all fan trays except one from a set of fan trays (fan trays 2, 3, or 4):

```
switch# config t
switch(config)# event manager applet myapplet1 override __pfm_fanabsent_any_singlefan
switch(config-applet)# end
switch# config t
switch(config)# event manager applet myapplet2 override __pfm_fanabsent_any_singlefan
switch(config-applet)# event fanabsent fan 2 time 60
switch(config-applet)# action 2 policy-default
switch(config-applet)# end
switch# config t
switch(config)# event manager applet myapplet3 override __pfm_fanabsent_any_singlefan
switch(config-applet)# event fanabsent fan 3 time 60
switch(config-applet)# action 3 policy-default
switch(config-applet)# end
switch# config t
switch(config)# event manager applet myapplet4 override __pfm_fanabsent_any_singlefan
```



***Send document comments to [nexus7k-docfeedback@cisco.com](mailto:nexus7k-docfeedback@cisco.com).***

```
switch(config-applet)# event fanabsent fan 4 time 60
switch(config-applet)# action 4 policy-default
switch(config-applet)# end
```

## Configuration Examples to Create a Supplemental Policy

This section includes the following topics:

- [Creating a Supplemental Policy for the Fan Tray Absent Event, page B-11](#)
- [Creating a Supplemental Policy for the Temperature Threshold Event, page B-11](#)

### Creating a Supplemental Policy for the Fan Tray Absent Event

This example shows how to create a supplemental policy using the **event fanabsent** command:

```
[no] event fanabsent [fan fan-tray-number] time time-interval
```

In addition to the default policy, this example shows how to execute the policy myappletname and action 3 if fan tray 1 is absent for 60 seconds:

```
switch# config t
switch(config)# event manager applet myappletname
switch(config-applet)# event fanabsent fan 1 time 60
switch(config-applet)# action 3 cli "show env fan"
switch(config-applet)# end
```

### Creating a Supplemental Policy for the Temperature Threshold Event

This example shows how to create a supplemental policy using the **event temperature** command:

```
[no] event temperature [mod module-number] [sensor sensor-number] threshold {major | minor
| any}
```

In addition to the default policy, this example shows how to execute the policy myappletname and action 1 if the temperature crosses the minor threshold on sensor 3 of module 2:

```
switch# config t
switch(config)# event manager applet myappletname
switch(config-applet)# event temperature module 2 sensor 3 threshold minor
switch(config-applet)# action 1 cli "show environ temperature"
switch(config-applet)# end
```

## Configuration Examples for the Power Over-Budget Policy

The power over-budget policy gets triggered when the available power capacity drops below zero and the device is no longer able to keep the previously powered-up modules in the powered-up state. The default action is to print a syslog to notify the user of the occurrence of power over budget.

You can enable an additional action to power down modules until the available power recovers from the red (negative) zone.

This section includes the following topics:

- [Shutting Down Modules, page B-12](#)
- [Shutting Down a Specified List of Modules, page B-12](#)

***Send document comments to [nexus7k-docfeedback@cisco.com](mailto:nexus7k-docfeedback@cisco.com).***

## Shutting Down Modules

If you do not specify any modules, the power over-budget shutdown starts from slot 1 and shuts down modules until the power recovers from the red (negative) zone. Empty slots and slots that contain a supervisor, standby supervisor, spine, or crossbar are skipped.

This example shows how to shut down modules starting from module 1 when the available power drops below zero:

```
switch# config t
switch(config)# event manager applet <myappletname4a> override __pfm_power_over_budget
switch(config-applet)# event poweroverbudget
switch(config-applet)# action 4 overbudgetshut
switch(config-applet)# end
```

## Shutting Down a Specified List of Modules

You can specify a list of modules that the power over-budget action uses to shut down modules until the power recovers from the red (negative) zone. Empty slots and slots that contain a supervisor, standby supervisor, spine, or crossbar are skipped.

This example shows how to shut down modules from a specified list of modules (1, 2, 7, 8) when the available power drops below zero:

```
switch# config t
switch(config)# event manager applet <myappletname4b> override __pfm_power_over_budget
switch(config-applet)# event poweroverbudget
switch(config-applet)# action 5 overbudgetshut module 1,2,7,8
switch(config-applet)# end
```

## Configuration Examples to Select Modules to Shut Down

This section includes the following topics:

- [Using the Policy Default to Select Nonoverridden Modules to Shut Down, page B-12](#)
- [Using Parameter Substitution to Select Nonoverridden Modules to Shut Down, page B-13](#)

## Using the Policy Default to Select Nonoverridden Modules to Shut Down

This example shows how to use the policy default to select the nonoverridden modules to shut down when a major threshold is exceeded:

```
switch# config t
switch(config)# event manager applet my5a1 override __pfm_tempev_major
switch(config-applet)# end
switch# config t
switch(config)# event manager applet my5a2 override __pfm_tempev_major
switch(config-applet)# event temperature module 1-3 sensor 4 threshold major
switch(config-applet)# action 5 policy-default
switch(config-applet)# end
```

***Send document comments to [nexus7k-docfeedback@cisco.com](mailto:nexus7k-docfeedback@cisco.com).***

## Using Parameter Substitution to Select Nonoverridden Modules to Shut Down

This example shows how to use parameter substitution to select the nonoverridden modules to shut down when a major threshold is exceeded:

```
switch# config t
switch(config)# event manager applet my5b1 override __pfm_tempev_major
switch(config-applet)# end
switch# config t
switch(config)# event manager applet my5b2 override __pfm_tempev_major
switch(config-applet)# event temperature module 1-3 sensor 8 threshold major
switch(config-applet)# action 6 forceshut module my_module_list reset "temperature-sensor
policy trigger"
switch(config-applet)# end
```

To create event manager parameters, use the **event manager environment** command. To display the values of event manager parameters, use the **show event manager environment all** command.

## Configuration Examples for the Online Insertion Removal Event

The online insertion removal (OIR) event does not have a default policy.

This example shows how to configure the OIR event using the **event oir** command:

```
event oir device-type event-type [device-number]
```

The *device-type* can be **fan**, **module** or **powersupply**.

The *event-type* can be **insert**, **remove**, or **anyoir** (insert or remove).

The optional *device-number* specifies a single device. If omitted, all devices are selected.

This example shows how to configure the insert event:

```
switch# config t
switch(config)# event manager applet myoir
switch(config-applet)# event oir module insert
switch(config-applet)# action 1 syslog priority critical msg "OIR insert event: A Module
is inserted"
```

This example shows how to configure the remove event:

```
switch# config t
switch(config)# event manager applet myoir
switch(config-applet)# event oir module remove
switch(config-applet)# action 1 syslog priority critical msg "OIR remove event: A Module
is removed"
```

## Configuration Example to Generate a User Syslog

This example shows how to generate a user syslog using the **action syslog** command:

```
switch# config t
switch(config)# event manager applet myoir
switch(config-applet)# event oir module remove
switch(config-applet)# action 1 syslog priority critical msg "Module is removed"
```

When this event is triggered, the system generates a syslog as follows:

```
p1b-57(config)# 2008 Feb 20 00:08:27 p1b-57 %$ VDC-1 %$ %EEM_ACTION-2-CRIT: "Module is
removed"
```

***Send document comments to [nexus7k-docfeedback@cisco.com](mailto:nexus7k-docfeedback@cisco.com).***

## Configuration Example to Monitor Syslog Messages

This example shows how to monitor syslog messages from the switch:

```
switch(config)# event manager applet a1
switch(config-applet)# event syslog occurs 6 period 4294967 pattern "authentication
failed"
```

When this event is triggered, the action defined in the policy is executed.

## Configuration Examples for SNMP Notification

This section includes the following topics:

- [Polling an SNMP OID to Generate an EEM Event, page B-14](#)
- [Sending an SNMP Notification in Response to an Event in the Event Policy, page B-14](#)

### Polling an SNMP OID to Generate an EEM Event

The SNMP object ID (OID) CISCO-SYSTEM-EXT-MIB::cseSysCPUUtilization is used for querying the CPU utilization of the switch:

```
cseSysCPUUtilization OBJECT-TYPE
    SYNTAX          Gauge32 (0..100 )
    UNITS           "%"
    MAX-ACCESS      read-only
    STATUS          current
    DESCRIPTION    "The average utilization of CPU on the active supervisor."
    ::= { ciscoSysInfoGroup 1 }
```

This example shows the use of an SNMP OID that is polled at an interval of 10 seconds and has a threshold value of 95 percent:

```
switch# config t
switch(config)# event manager applet test_policy
switch(config-applet)# event snmp oid 1.3.6.1.4.1.9.9.305.1.1.1.0 get-type exact entry-op
gt entry-val 95 exit-op lt exit-val 90 poll-interval 10
```

### Sending an SNMP Notification in Response to an Event in the Event Policy

You can use this type of configuration to cause a critical event trigger to generate an SNMP notification.

This example shows how to send an SNMP notification for an event from the Event Manager applet configuration mode:

```
switch(config-applet)# action 1.1 snmp-trap intdata1 100 intdata2 300 strdata "CPU Hogging
at switch1"
switch(config-applet)# action 1.1 snmp-trap intdata1 100 intdata2 300 strdata "Port
Failure eth9/1"
```

This configuration triggers an SNMP notification (trap) from the switch to SNMP hosts. The SNMP payload carries the values of user-defined fields intdata1, intdata2, and strdata.

***Send document comments to [nexus7k-docfeedback@cisco.com](mailto:nexus7k-docfeedback@cisco.com).***

## Configuration Example for Port Tracking

This example shows how to configure the state of one port to match the state of another port (port tracking).

To configure the port tracking of Ethernet interface 3/23 by Ethernet interface 1/2, follow these steps:

**Step 1** Create an object to track the status of Ethernet interface 3/23.

```
switch# config t
switch(config)# track 1 interface ethernet 3/23
switch(config-track)# end
```

**Step 2** Configure an EEM event to shut Ethernet interface 1/2 when the tracking object shuts down.

```
switch(config)# event manager applet track_3_23_down
switch(config-applet)# event track 1 state down
switch(config-applet)# action 1 syslog msg EEM applet track_3_23_down shutting down port
eth1/2 due to eth3/23 being down
switch(config-applet)# action 2 cli conf term
switch(config-applet)# action 3 cli interface ethernet 1/2
switch(config-applet)# action 4 cli shut
switch(config-applet)# end
```

**Step 3** Configure an EEM event to bring up Ethernet interface 1/2 when Ethernet interface 3/23 comes up.

```
switch# config t
switch(config)# event manager applet track_3_23_up
switch(config-applet)# event track 1 state up
switch(config-applet)# action 1 syslog msg EEM applet track_3_23_down bringing up port
eth1/2 due to eth3/23 being up
switch(config-applet)# action 2 cli conf term
switch(config-applet)# action 3 cli interface ethernet 1/2
switch(config-applet)# action 4 cli no shut
switch(config-applet)# end
```

## Feature History for EEM Policies

Table B-3 lists the release history for this feature.

**Table B-3** Feature History for EEM Policies

| Feature Name            | Releases | Feature Information                                                                                                                                                      |
|-------------------------|----------|--------------------------------------------------------------------------------------------------------------------------------------------------------------------------|
| EEM event correlation   | 5.2(1)   | Added support for multiple event triggers in a single EEM policy. See the configuration example in <a href="#">Chapter 14, “Configuring the Embedded Event Manager.”</a> |
| Syslog as EEM publisher | 5.1(1)   | Added support to monitor syslog messages from the switch.                                                                                                                |
| EEM system policies     | 5.0(2)   | Updated the fan EEM policies for the Cisco Nexus 7010 switch.                                                                                                            |

***Send document comments to [nexus7k-docfeedback@cisco.com](mailto:nexus7k-docfeedback@cisco.com).***

Send document comments to [nexus7k-docfeedback@cisco.com](mailto:nexus7k-docfeedback@cisco.com)



APPENDIX **C**

## Configuration Limits for Cisco NX-OS System Management

---

The configuration limits are documented in the [Cisco Nexus 7000 Series NX-OS Verified Scalability Guide](#).

***Send document comments to [nexus7k-docfeedback@cisco.com](mailto:nexus7k-docfeedback@cisco.com)***





## INDEX

- 
- B**
- bootup diagnostics [13-2](#)
  - boundary clock [4-2](#)
- 
- C**
- Call Home
    - e-mail notifications [1-4](#)
  - CDP
    - clearing cache [5-7](#)
    - clearing statistics [5-7](#)
    - configuring timers, example [5-8](#)
    - default settings [5-4](#)
    - defined with LLDP [18-2](#)
    - description [5-1](#)
    - disabling the feature [5-5](#)
    - enabling globally [5-4](#)
    - enabling on an interface [5-5](#)
    - guidelines [5-3](#)
    - licensing requirements [5-3](#)
    - limitations [5-3](#)
    - MIBs (table) [5-8](#)
    - optional parameters [5-7](#)
    - prerequisites [5-3](#)
    - TLV fields [5-2](#)
    - verifying configuration [5-7](#)
    - version [5-4](#)
    - virtualization [5-3](#)
    - VLAN ID [5-2](#)
    - VTP [5-2](#)
  - coordinated distributions [2-3](#)
  - default settings [2-6](#)
  - description [2-1](#)
  - disabling on a switch [2-31](#)
  - distribution [2-2](#)
  - distribution modes [2-3](#)
  - enabling on a switch [2-31](#)
  - features supported [2-2](#)
  - guidelines [2-5](#)
  - high availability [2-5](#)
  - licensing requirements [2-5](#)
  - limitations [2-5](#)
  - locking the network [2-4](#)
  - merge support [2-4](#)
  - MIBs (table) [2-33](#)
  - NTP [3-2, 3-14](#)
  - prerequisites [2-5](#)
  - releasing session lock [3-16](#)
  - uncoordinated distributions [2-3](#)
  - unrestricted uncoordinated distributions [2-3](#)
  - verifying configuration [2-32](#)
  - virtualization [2-5](#)
- CFS applications
- clearing session locks [2-29](#)
  - committing changes [2-27](#)
  - discarding changes [2-30](#)
  - enabling [2-7](#)
  - enabling distribution for Call Home configurations [2-7](#)
  - enabling distribution for device alias configurations [2-8](#)
  - enabling distribution for DPVM configurations [2-9](#)
  - enabling distribution for FC domain configurations [2-10](#)

**Send document comments to [nexus7k-docfeedback@cisco.com](mailto:nexus7k-docfeedback@cisco.com).**

- enabling distribution for FC port security configurations [2-11](#)
- enabling distribution for FC timer configurations [2-12](#)
- enabling distribution for IVR configurations [2-13](#)
- enabling distribution for NTP configurations [2-14](#)
- enabling distribution for RADIUS configurations [2-15](#)
- enabling distribution for RSCN configurations [2-16](#)
- enabling distribution for TACACS+ configurations [2-17](#)
- enabling distribution for user role configurations [2-18](#)
- fabric locking [2-27](#)
- CFS distribution mode, specifying [2-19](#)
- CFS over Ethernet (CFS over Ethernet), description [2-2](#)
- CFS over Fibre Channel (CFS over Fibre Channel), description [2-2](#)
- CFS over IP (CFS over IP)
  - configuring IP multicast addresses [2-20](#)
  - description [2-2](#)
- CFS regions
  - configuring [2-22](#)
  - creating [2-22](#)
  - deleting [2-26](#)
  - description [2-4](#)
  - moving an application to/from [2-23](#)
  - removing an application [2-25](#)
- checkpoints
  - system [8-2](#)
- Cisco discovery protocol
  - See CDP
- Cisco Fabric Service. See CFS
- clock manager
  - PTP [4-3](#)
- command scheduler
  - execution logs [10-2](#)
- configuration limits
  - description (table) [C-1](#)
- configuration methods [1-2](#)

---

## D

- default settings
  - CDP [5-4](#)
  - EEM [14-7](#)
  - NetFlow [19-5](#)
  - NTP [3-4, 5-4, 16-7, 17-5](#)
  - OBFL [15-3](#)
  - online diagnostics [13-6](#)
  - PTP [4-5](#)
  - RMON [12-3](#)
  - rollback [8-4](#)
  - Scheduler [10-3](#)
  - Smart Call Home [7-9](#)
  - SNMP [11-7](#)
  - system messages [6-3](#)
- device discovery protocol [18-2](#)
- diagnostics
  - bootup [13-2](#)
  - on demand [13-5](#)
  - runtime [13-3](#)
- documentation
  - additional publications [i-xxv](#)
  - conventions [i-xxv](#)
  - obtaining [i-xxvii](#)

---

## E

- EEM
  - actions [14-4](#)
  - activating a script policy [14-15](#)
  - allow CLI commands to execute [14-14](#)
  - configuration examples [B-4](#)
  - configuring action statements [14-13](#)
  - configuring event statements [14-10](#)
  - default settings [14-7](#)
  - defining an environment variable [14-7](#)
  - defining a policy [14-8](#)
  - defining script policies [14-14](#)

**Send document comments to [nexus7k-docfeedback@cisco.com](mailto:nexus7k-docfeedback@cisco.com).**

description [14-1 to 14-5](#)  
 environment variables [14-5](#)  
 event correlation [14-5](#)  
 event correlation (example) [14-21](#)  
 event logs [14-2](#)  
 events [14-3, B-3](#)  
 example configuration [14-21](#)  
 guidelines [14-6](#)  
 high availability [14-5](#)  
 licensing requirements [14-6](#)  
 limitations [14-6](#)  
 override policy [14-2](#)  
 override policy (note) [14-3](#)  
 override policy actions (note) [14-4](#)  
 overriding a system policy [14-15](#)  
 parameter substitution [14-5](#)  
 policies [14-2](#)  
 prerequisites [14-6](#)  
 registering a script policy [14-15](#)  
 SNMP support [11-5](#)  
 system policies [14-2, B-1](#)  
 using to monitor syslog messages [14-19](#)  
 verifying configuration [14-20](#)  
 virtualization support [14-5](#)  
 VSH script policies [14-4](#)

EEM overriding a system policy (example) [14-21](#)

embedded event manager. See EEM

encapsulated remote switched port analyzer. See ERSPAN

ERSPAN

ACL configuration example [17-16](#)  
 activating a session [17-12](#)  
 configuring a destination session [17-9](#)  
 configuring a session (example) [17-16](#)  
 configuring a source session [17-6](#)  
 configuring multicast best effort mode for a session [17-14](#)  
 description [17-1](#)  
 destinations [17-2](#)  
 feature history [17-18](#)

guidelines [17-4](#)  
 high availability [17-3](#)  
 licensing requirements [17-4](#)  
 limitations [17-4](#)  
 multicast best effort mode (example) [17-17](#)  
 multiple sessions [17-3](#)  
 prerequisites [17-4](#)  
 session limits [17-4](#)  
 sessions [17-2](#)  
 session sources [17-6](#)  
 shutting down a session [17-12](#)  
 sources [17-2](#)  
 verifying configuration [17-15](#)  
 virtualization support [17-3](#)

executing a session [9-5](#)

exporter map [19-2](#)

---

## F

feature history

ERSPAN [17-18](#)

features, new and changed (table) [i-xix](#)

---

## G

GOLD. See online diagnostics

---

## H

health monitoring diagnostics [13-3](#)

high availability

CDP [5-3](#)

CFS [2-5](#)

EEM [14-5](#)

ERSPAN [17-3](#)

LLDP [18-3](#)

NetFlow [19-3](#)

NTP [3-3, 5-3](#)

***Send document comments to [nexus7k-docfeedback@cisco.com](mailto:nexus7k-docfeedback@cisco.com).***

online diagnostics [13-5](#)  
 PTP [4-3](#)  
 RMON [12-2](#)  
 rollback [8-2](#)  
 SNMP [11-6](#)  
 SPAN [16-4](#)

guidelines [18-4](#)  
 high availability [18-3](#)  
 licensing requirements [18-3](#)  
 limitations [18-4](#)  
 verifying configuration [18-9](#)  
 virtualization support [18-3](#)

## L

### licensing requirements

CDP [5-3](#)  
 CFS [2-5](#)  
 EEM [14-6](#)  
 ERSPAN [17-4](#)  
 LLDP [18-3](#)  
 NetFlow [19-4](#)  
 NTP [3-3](#)  
 OBFL [15-2](#)  
 online diagnostics [13-5](#)  
 PTP [4-4](#)  
 RMON [12-3](#)  
 rollback [8-3](#)  
 Scheduler [10-3](#)  
 session manager [9-2](#)  
 Smart Call Home [7-8](#)  
 SNMP [11-6](#)  
 SPAN [16-5](#)  
 system messages [6-3](#)

### limits

description (table) [C-1](#)

### LLDP

configuring optional parameters [18-7](#)  
 configuring timers [18-7](#)  
 default settings [18-4](#)  
 defined [18-2](#)  
 description [18-1](#)  
 enabling or disabling globally [18-5](#)  
 enabling or disabling on an interface [18-6](#)  
 example configuration [18-9](#)

## M

### MIBs

CDP [5-8](#)  
 CFS [2-33](#)  
 description [11-2](#)  
 location to download [11-29](#)  
 NTP [3-19, 5-8](#)  
 PTP [4-11](#)  
 RMON [12-8](#)  
 Smart Call Home [7-39](#)  
 SNMP [11-29](#)

monitor map [19-3](#)

MTU truncation, configuring for SPAN sessions [16-16](#)

### multibest best effort mode

configuring for a SPAN session [16-19](#)

### multicast best effort mode

configuring for an ERSPAN session [17-14](#)

### multicast best mode

ERSPAN configuration example [17-17](#)

## N

### NetFlow

applying a monitor map to an interface [19-13](#)  
 applying a monitor map to a VLAN [19-14](#)  
 applying a sampler map to an interface [19-13](#)  
 configuring Bridged NetFlow [19-14](#)  
 configuring NetFlow [19-5](#)  
 configuring timeouts [19-17](#)  
 creating a monitor map [19-11](#)

***Send document comments to [nexus7k-docfeedback@cisco.com](mailto:nexus7k-docfeedback@cisco.com).***

- creating an export map [19-9](#)
- creating a record map [19-6](#)
- creating a sampler map [19-12](#)
- default settings [19-5](#)
- description [19-1 to 19-4](#)
- disabling [19-6](#)
- enabling [19-6](#)
- example configuration [19-19](#)
- exporter map [19-2](#)
- export formats [19-3](#)
- flows [19-1](#)
- full mode [19-2](#)
- high availability [19-3](#)
- keys [19-1](#)
- licensing requirements [19-4](#)
- monitor map [19-3](#)
- record map [19-2](#)
- sampled mode [19-2](#)
- sampler map [19-3](#)
- specifying collect parameters [19-8](#)
- specifying match parameters [19-8](#)
- verifying configuration [19-18](#)
- virtualization support [19-4](#)
- configuring server [3-7](#)
- configuring the device as an authoritative server [3-6](#)
- default settings [3-4, 5-4, 16-7, 17-5](#)
- description [3-1](#)
- disabling [3-5](#)
- discarding configuration changes [3-16](#)
- enabling [3-5](#)
- feature history [3-19](#)
- guidelines [3-3](#)
- high availability [3-3, 5-3](#)
- licensing requirements [3-3](#)
- limitations [3-3](#)
- logging [3-13](#)
- MIBs (table) [3-19, 5-8](#)
- prerequisites [3-3](#)
- releasing CFS session lock [3-16](#)
- source interface [3-13](#)
- source IP address [3-13](#)
- stratum [3-2](#)
- trusted keys [3-11](#)
- verifying configuration [3-16](#)
- virtualization [3-3, 5-3](#)

## Netflow

- configuring Layer 2 keys [19-15](#)

Network Time Protocol. See NTP

## NTP

- access groups [3-11](#)
- as a time server [3-2](#)
- authentication keys [3-10](#)
- CFS [3-2, 3-14](#)
- clearing a session [3-17](#)
- clearing statistics [3-17](#)
- clock manager [3-2](#)
- committing configuration changes [3-15](#)
- configuration examples [3-17](#)
- configuring access restrictions [3-11](#)
- configuring authentication [3-10](#)
- configuring peer [3-7](#)

## O

### OBFL

- clearing statistics [15-7](#)
- default settings [15-3](#)
- description [15-1](#)
- enabling [15-3](#)
- example configuration [15-7](#)
- guidelines [15-3](#)
- licensing requirements [15-2](#)
- limitations [15-3](#)
- prerequisites [15-2](#)
- verifying configuration [15-6](#)
- virtualization support [15-2](#)
- on-board failure logging. See OBFL
- on demand diagnostics [13-5](#)

***Send document comments to [nexus7k-docfeedback@cisco.com](mailto:nexus7k-docfeedback@cisco.com).***

## online diagnostics

- activating a diagnostics test [13-7](#)
- bootup [13-2](#)
- clearing the test results [13-10](#)
- configuring the bootup diagnostic level [13-7](#)
- default settings [13-6](#)
- description [13-1 to 13-5](#)
- example configuration [13-12](#)
- feature history (table) [13-13](#)
- guidelines [13-6](#)
- health monitoring [13-3](#)
- high availability [13-5](#)
- licensing requirements [13-5](#)
- limitations [13-6](#)
- on demand [13-5](#)
- prerequisites [13-6](#)
- runtime [13-3](#)
- setting a diagnostic test as inactive [13-9](#)
- simulating a test result [13-11](#)
- starting an on-demand test [13-9](#)
- stopping an on-demand test [13-9](#)
- verifying configuration [13-11](#)
- virtualization support [13-5](#)
- VRFs [13-5](#)

ordinary clock [4-2](#)

## P

Pong, description [4-3](#)

Precision Time Protocol. See PTP

## PTP

- configuration examples [4-9](#)
- configuring globally [4-5](#)
- configuring on an interface [4-7](#)
- default settings [4-5](#)
- description [4-2](#)
- device types [4-2](#)
- feature history [4-11](#)
- guidelines [4-4](#)

- high availability [4-3](#)
- licensing requirements [4-4](#)
- limitations [4-4](#)
- MIBs (table) [4-11](#)
- prerequisites [4-4](#)
- process [4-3](#)
- verifying configuration [4-9](#)
- virtualization [4-4](#)

## R

record map [19-2](#)

related documents [i-xxv](#)

## RMON

- alarms [12-2](#)
- configuring alarms [12-4](#)
- configuring events [12-6](#)
- default settings [12-3](#)
- description [12-1](#)
- events [12-2](#)
- example configuration [12-7](#)
- guidelines [12-3](#)
- high availability [12-2](#)
- licensing requirements [12-3](#)
- limitations [12-3](#)
- MIBs [12-8](#)
- prerequisites [12-3](#)
- verifying configuration [12-7](#)
- virtualization support [12-3](#)
- VRFs [12-3](#)

## rollback

- checkpoint copy [8-2](#)
- creating a checkpoint copy [8-4](#)
- default settings [8-4](#)
- description [8-1](#)
- example configuration [8-7](#)
- guidelines [8-3](#)
- high availability [8-2](#)
- implementing a rollback [8-5](#)

***Send document comments to [nexus7k-docfeedback@cisco.com](mailto:nexus7k-docfeedback@cisco.com).***

- licensing requirements [8-3](#)
- limitations [8-3](#)
- prerequisites [8-3](#)
- reverting to checkpoint file [8-5](#)
- verifying configuration [8-6](#)
- virtualization support [8-3](#)

runtime diagnostics [13-3](#)

## S

sampler map [19-3](#)

### Scheduler

- authentication [10-2](#)
- clearing the logfile [10-11](#)
- configuring [10-4](#)
- configuring authentication [10-6](#)
- configuring logfile [10-5](#)
- default settings [10-3](#)
- defining a timetable [10-9](#)
- defining jobs [10-7](#)
- deleting a job [10-8](#)
- description [10-1](#)
- disabling the feature [10-12](#)
- enabling the feature [10-4](#)
- guidelines [10-3](#)
- high availability [10-2](#)
- licensing requirements [10-3](#)
- limitations [10-3](#)
- prerequisites [10-3](#)
- verifying configuration [10-13](#)
- virtualization support [10-2](#)

### scheduler

- execution logs [10-2](#)

session manager [9-5](#)

- committing a session [9-5](#)
- configuring ACLs [9-4](#)
- configuring an ACL session (example) [9-6](#)
- creating a session [9-3](#)
- description [9-1](#)

- discarding a session [9-6](#)
- guidelines [9-2](#)
- high availability [9-2](#)
- licensing requirements [9-2](#)
- limitations [9-2](#)
- prerequisites [9-2](#)
- saving a session [9-6](#)
- verifying configuration [9-6](#)
- verifying the session [9-5](#)
- virtualization support [9-2](#)

Simple Network Management Protocol. See SNMP

### Smart Call Home

- alert groups [7-3](#)
- benefits [7-2](#)
- configuring an HTTP proxy server [7-22](#)
- configuring contact information [7-10](#)
- configuring e-mail [7-19](#)
- configuring inventory notification [7-19, 7-24](#)
- configuring VRFs to send messages using HTTP [7-21](#)
- database merge guidelines [7-7](#)
- default settings [7-9](#)
- description [7-1](#)
- destination profiles
  - associating an alert group [7-16](#)
  - attributes [7-14](#)
  - creating [7-12](#)
  - description [7-2](#)
  - modifying [7-14](#)
  - predefined [7-2](#)
- disabling [7-25](#)
- disabling duplicate message throttle [7-25](#)
- enabling [7-25](#)
- event triggers (table) [7-27](#)
- example configuration [7-27](#)
- guidelines [7-8](#)
- high availability [7-7](#)
- licensing requirements [7-8](#)
- limitations [7-8](#)
- mapping message levels to syslog levels (table) [7-5](#)

***Send document comments to [nexus7k-docfeedback@cisco.com](mailto:nexus7k-docfeedback@cisco.com).***

- message formats
  - full text (table) [7-29, 7-30](#)
  - full-text format, example [7-32](#)
  - inventory events (table) [7-31](#)
  - options [7-2](#)
  - proactive events (table) [7-31](#)
  - reactive events (table) [7-31](#)
  - short text (table) [7-29](#)
  - XML (table) [7-29, 7-30](#)
  - XML format, example [7-35](#)
- message levels [7-5](#)
- MIBs [7-39](#)
- modifying an alert group [7-17](#)
- prerequisites [7-8](#)
- registration requirements [7-6](#)
- sending a test message [7-26](#)
- SMARTnet registration [7-6](#)
- verifying configuration [7-26](#)
- virtualization support [7-7](#)
- SNMP
  - agent [11-2](#)
  - assigning contact [11-23](#)
  - assigning location [11-23](#)
  - assigning multiple user roles [11-9](#)
  - authentication [11-4](#)
  - configuring a user [11-8](#)
  - configuring context to network entity mapping [11-24](#)
  - context mapping [11-6](#)
  - contexts [11-5](#)
  - creating communities [11-10](#)
  - default settings [11-7](#)
  - description [11-1 to 11-6](#)
  - disabling protocol [11-26](#)
  - display ifIndex values [11-23](#)
  - EEM support [11-5](#)
  - enabling one-time authentication [11-23](#)
  - enforcing encryption [11-9](#)
  - engine ID format [11-8](#)
  - example configuration [11-27](#)
  - feature history (table) [11-29](#)
  - filtering SNMP requests [11-10](#)
  - group-based access [11-5](#)
  - guidelines [11-7](#)
  - high availability [11-6](#)
  - licensing requirements [11-6](#)
  - limitations [11-7](#)
  - manager [11-2](#)
  - MIBs [11-2](#)
  - MIBs supported [11-29](#)
  - multiple instance support [11-5](#)
  - notifications
    - configuring LinkUp/LinkDown notifications [11-22](#)
    - configuring notification receivers [11-11](#)
    - configuring notification receivers with VRFs [11-13](#)
    - configuring source interface for [11-12](#)
    - configuring the notification target user [11-12](#)
    - description [11-2](#)
    - enabling individual notifications [11-16](#)
    - informs [11-2](#)
    - trap [11-2](#)
  - notification source interface [11-12](#)
  - prerequisites [11-6](#)
  - RFCs [11-2](#)
  - RMON [12-1](#)
  - user synchronization with CLI [11-4](#)
  - versions
    - security models and levels [11-3](#)
    - SNMPv3 [11-2](#)
    - USM [11-4](#)
  - virtualization support [11-6](#)
  - VRFs [11-6](#)
- SNMP requests
  - filtering [11-10](#)
- source rate limit, configuring for SPAN sessions [16-17](#)
- SPAN
  - configuring an RSPAN VLAN [16-14](#)



***Send document comments to [nexus7k-docfeedback@cisco.com](mailto:nexus7k-docfeedback@cisco.com).***

- configuring a PVLAN source in a session (example) [16-22](#)
- configuring a session [16-8](#)
- configuring a session (example) [16-21](#)
- configuring a source rate limit for each session [16-17](#)
- configuring a virtual SPAN session [16-11](#)
- configuring a virtual SPAN session (example) [16-21](#)
- configuring MTU truncation for each session [16-16](#)
- configuring the multicast best effort mode for a session [16-19](#)
- description [16-1](#)
- enabling a session [16-15](#)
- guidelines [16-5](#)
- high availability [16-4](#)
- licensing requirements [16-5](#)
- limitations [16-5](#)
- multiple sessions [16-4](#)
- prerequisites [16-5](#)
- session destinations [16-8](#)
- session limits [16-5](#)
- sessions [16-3](#)
- session sources [16-8](#)
- shutting down a session [16-15](#)
- subinterface restriction [16-8](#)
- verifying configuration [16-20](#)
- virtualization support [16-4](#)
- virtual SPAN sessions [16-3](#)
- switched port analyzer. See SPAN
- syslog
  - as EEM publisher [14-19](#)
  - See system messages
- system checkpoints [8-2](#)
- system messages
  - clearing a log file [6-11](#)
  - configuring (example) [6-12](#)
  - configuring a syslog server [6-8](#)
  - configuring a syslog server on a Linux system [6-10](#)
  - configuring a syslog server on a UNIX system [6-10](#)
  - configuring severity level to log [6-7](#)
  - configuring timestamp [6-7](#)
  - default settings [6-3](#)
  - description [6-1](#)
  - displaying a log file [6-10](#)
  - guidelines [6-3](#)
  - licensing requirements [6-3](#)
  - list of messages [6-12](#)
  - logging to a file [6-5](#)
  - logging to a terminal session [6-4](#)
  - logging to the console port [6-4](#)
  - RFC [6-1](#)
  - severity levels (table) [6-2](#)
  - syslog server [6-2](#)
  - verifying configuration [6-11](#)
  - virtualization support [6-2](#)

---

## T

- TLVs
  - defined [18-2](#)
  - supported by LLDP [18-8](#)
- transparent clock [4-2](#)
- trap. See SNMP
- troubleshooting [1-7](#)

---

## V

- virtualization
  - CFS [2-5](#)
  - NTP [3-3](#)
  - PTP [4-4](#)
- virtualization support
  - LLDP [18-3](#)
- VTP
  - CDP [5-2](#)

***Send document comments to [nexus7k-docfeedback@cisco.com](mailto:nexus7k-docfeedback@cisco.com).***